

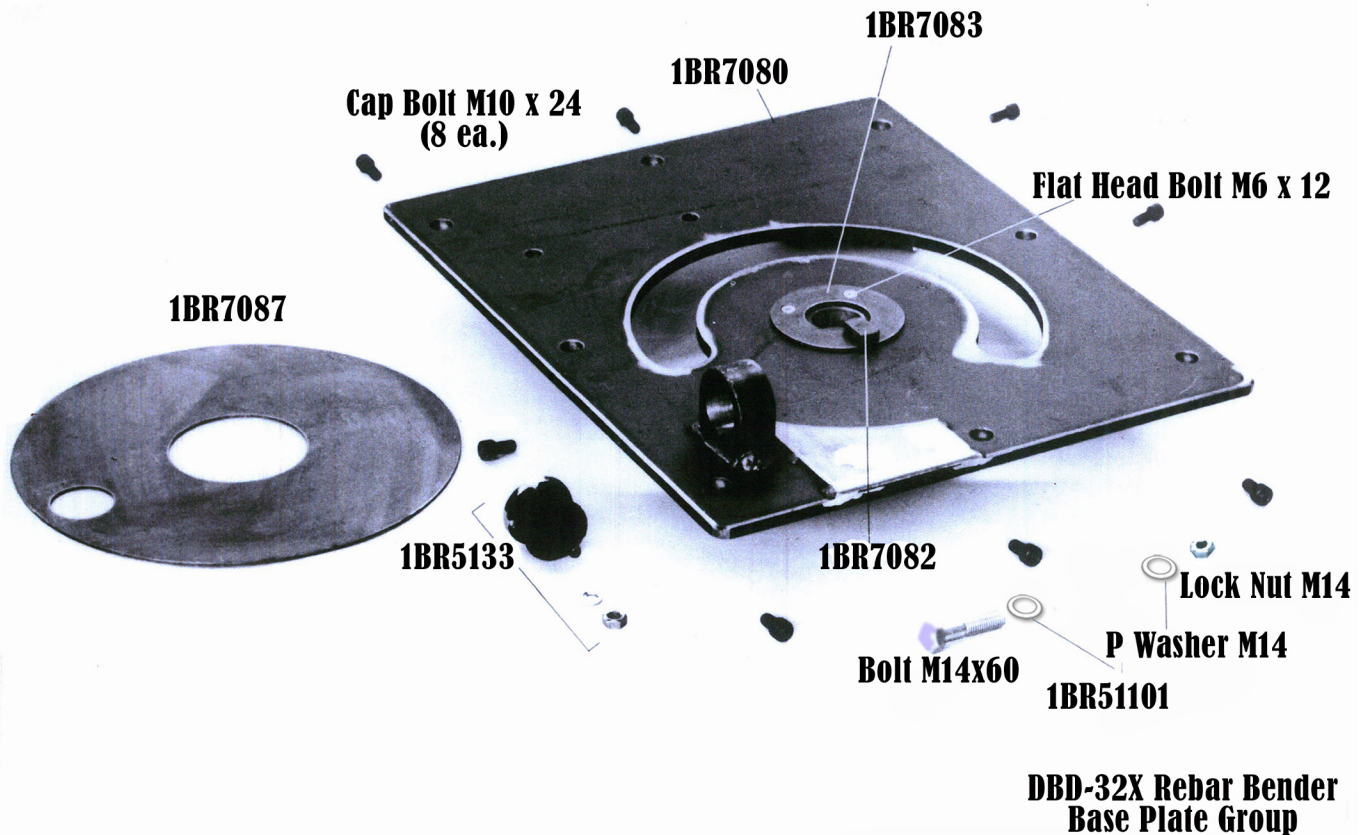
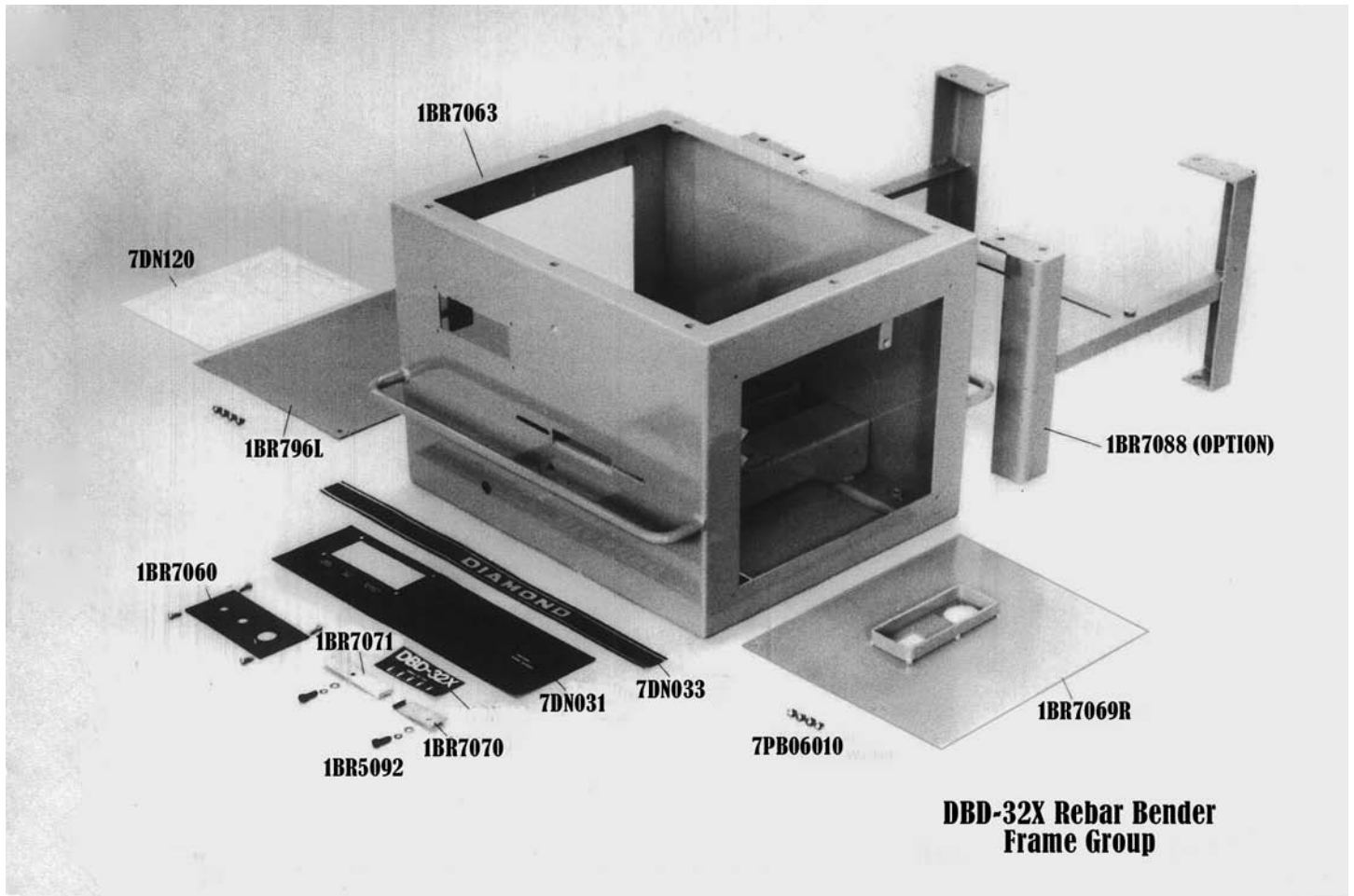


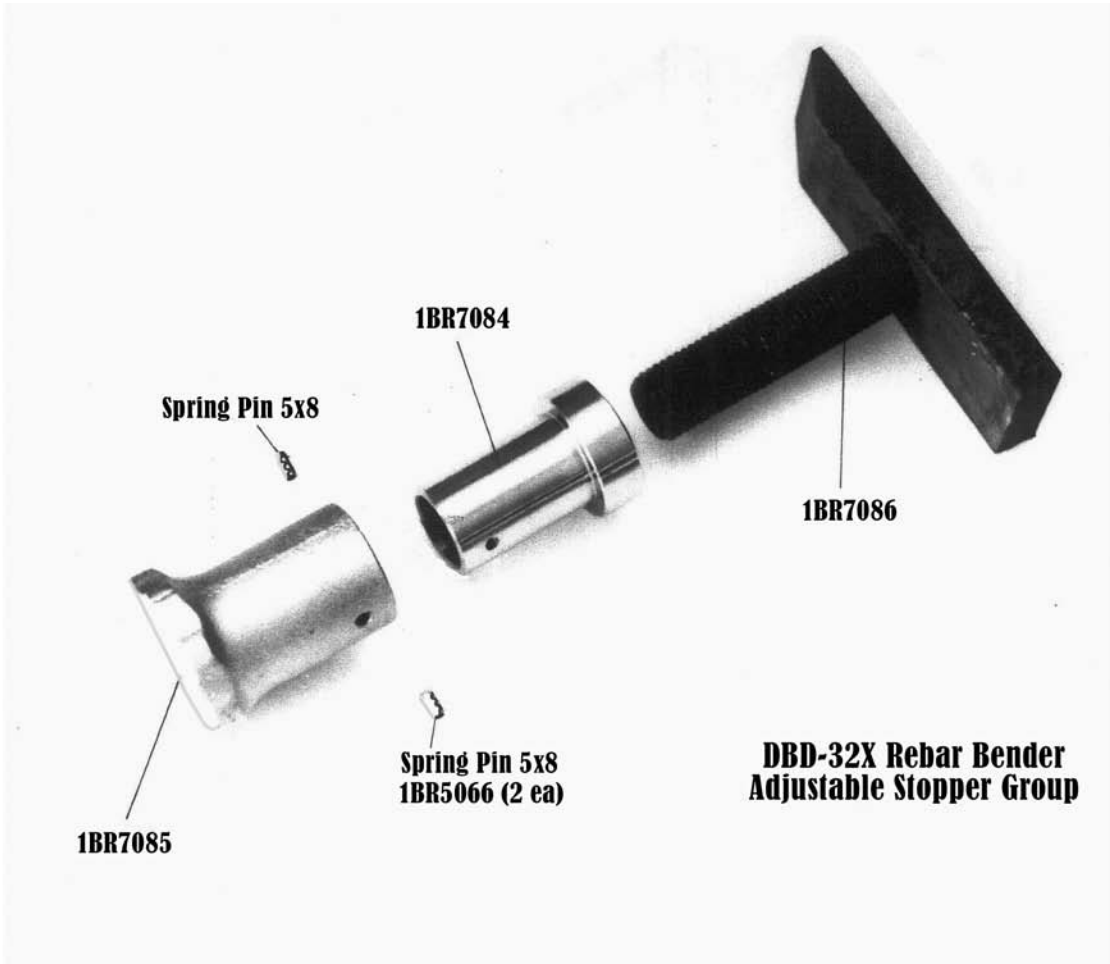
**Benner-Nawman, Inc.**

3450 Sabin Brown Road • Wickenburg, Arizona 85390  
(800) 992-3833 • (928) 684-2813 • [www.bnproducts.com](http://www.bnproducts.com)

# DBD-32 Parts Breakdown Information







1BR7084

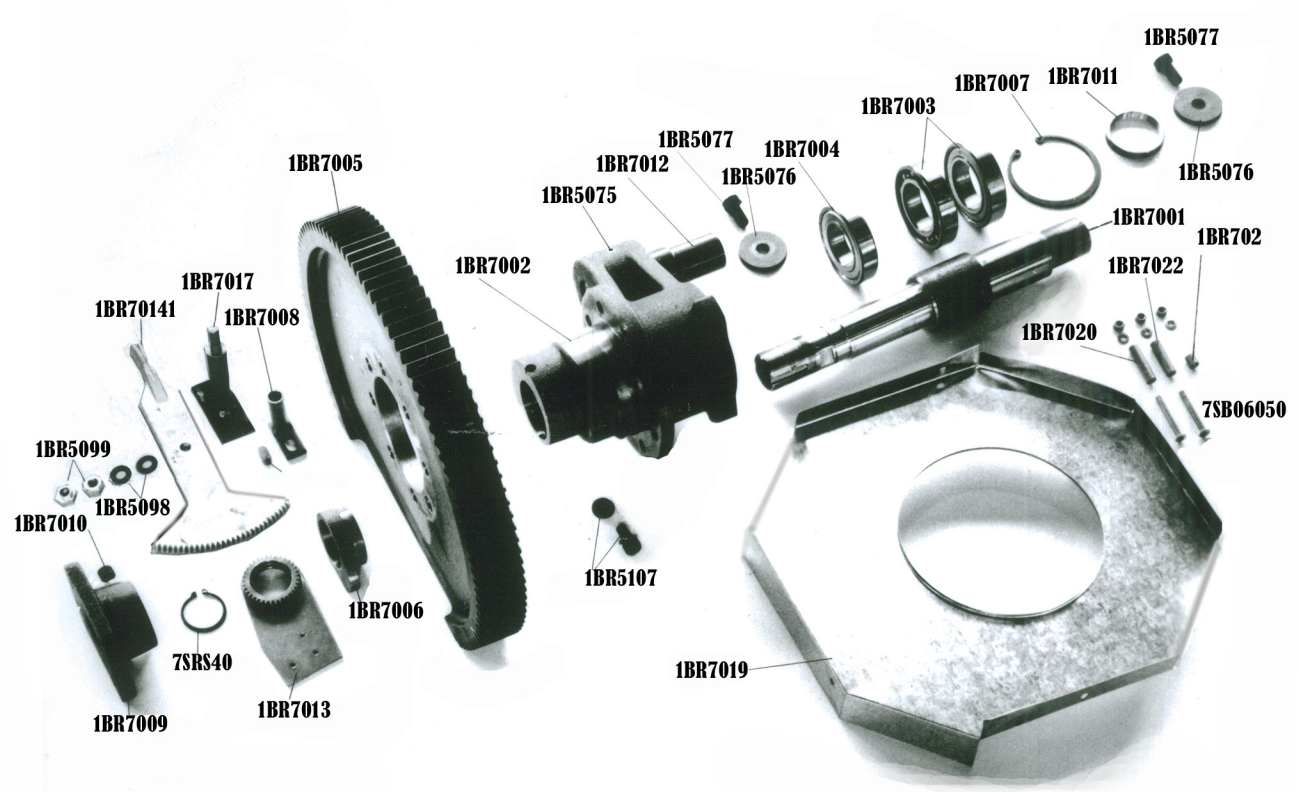
Spring Pin 5x8

1BR7086

1BR7085

Spring Pin 5x8  
1BR5066 (2 ea)

**DBD-32X Rebar Bender  
Adjustable Stopper Group**



1BR7005

1BR7017

1BR7014

1BR7018

1BR7008

1BR7002

1BR7012

1BR5077

1BR5076

1BR7004

1BR7003

1BR7007

1BR7011

1BR5076

1BR5077

1BR7001

1BR702

1BR7022

1BR7020

7SB06050

1BR5099

1BR7010

1BR5098

1BR7006

7SRS40

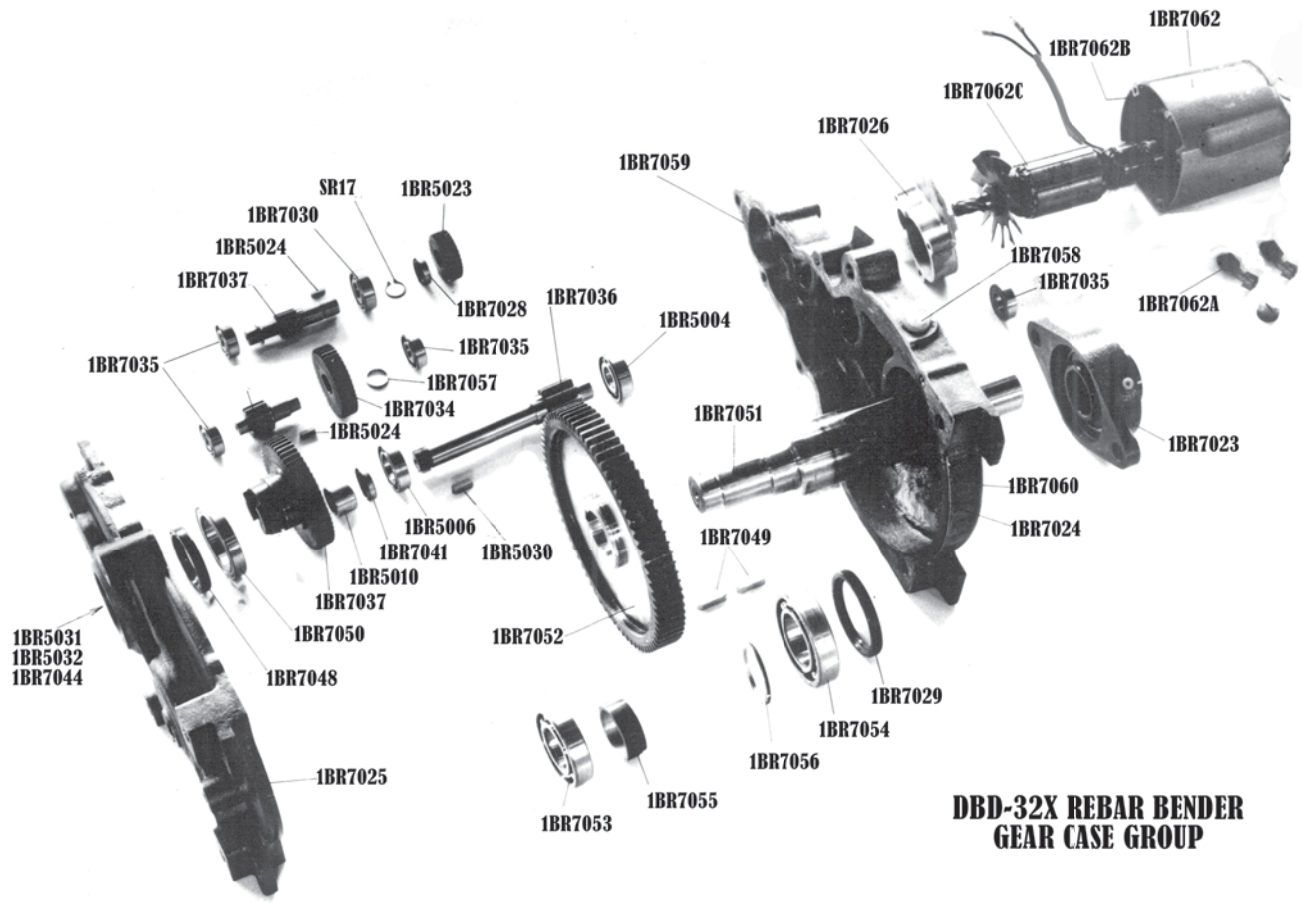
1BR7009

1BR7013

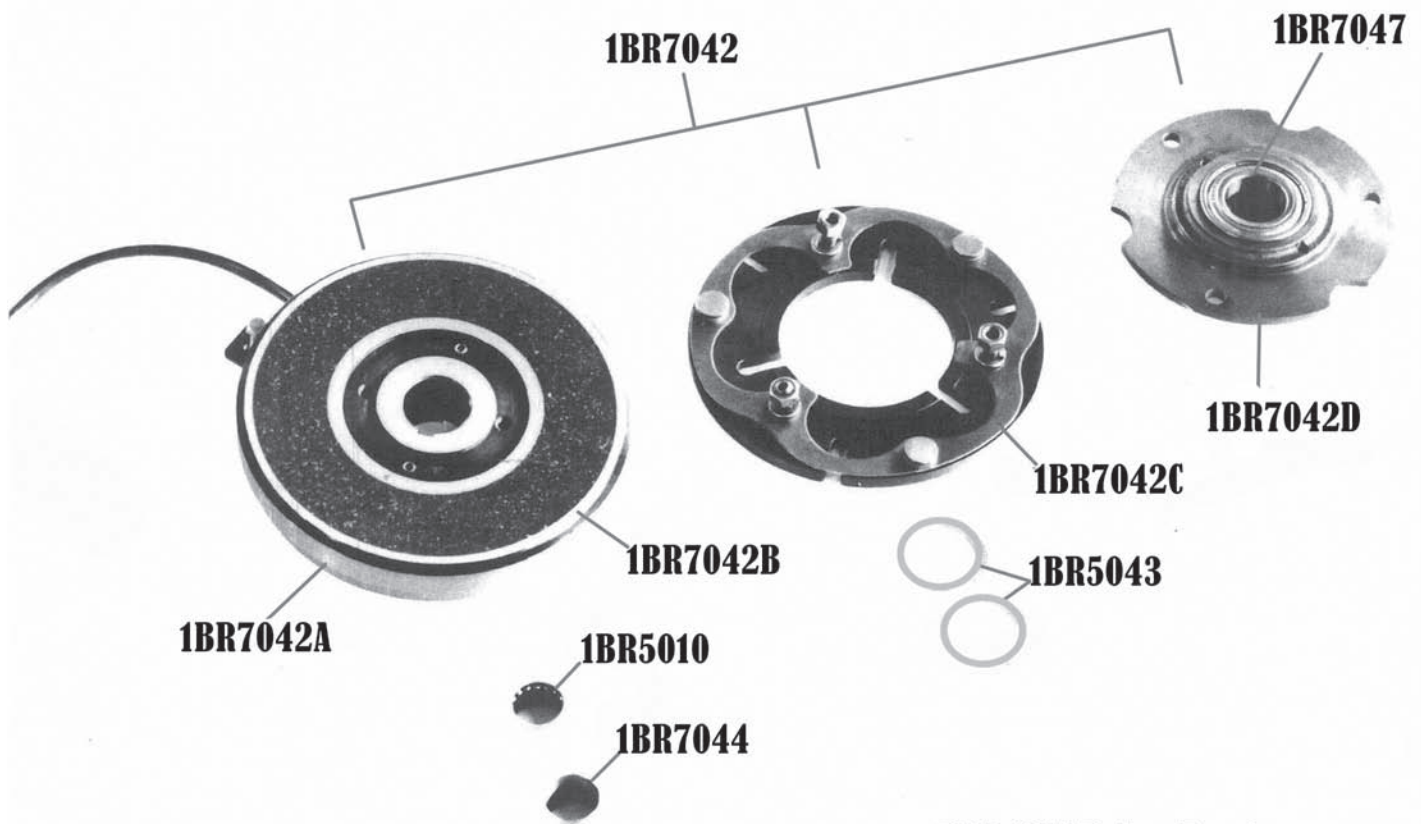
1BR5107

1BR7019

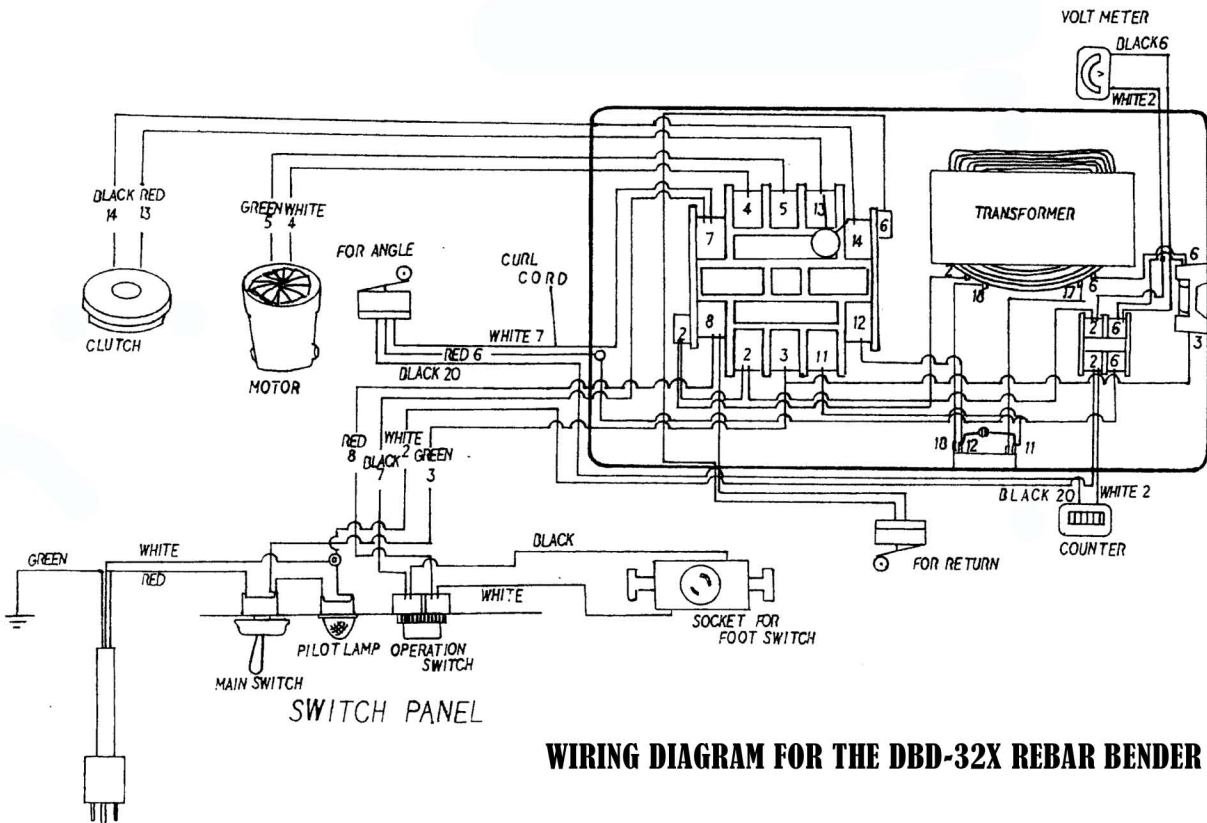
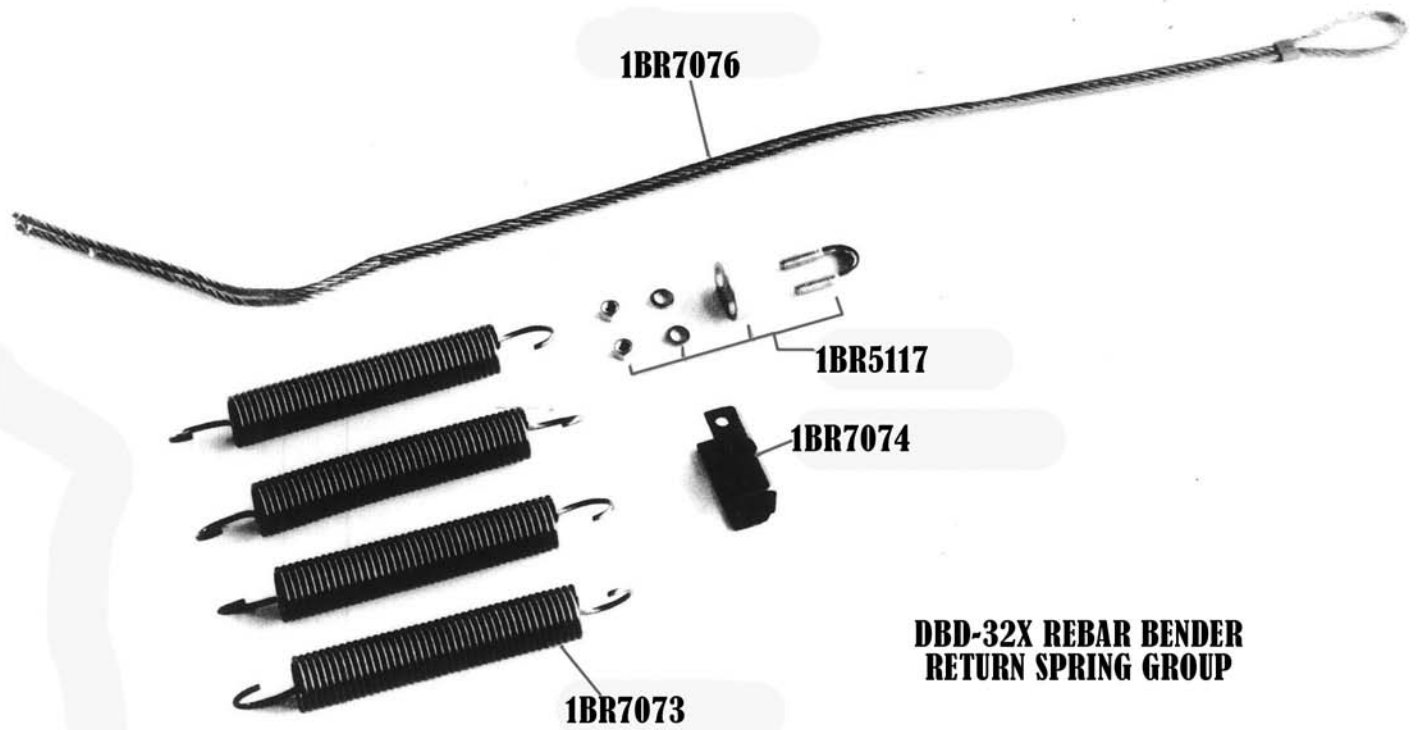
**DBD-32x REBAR BENDER  
MAIN SHAFT GROUP**

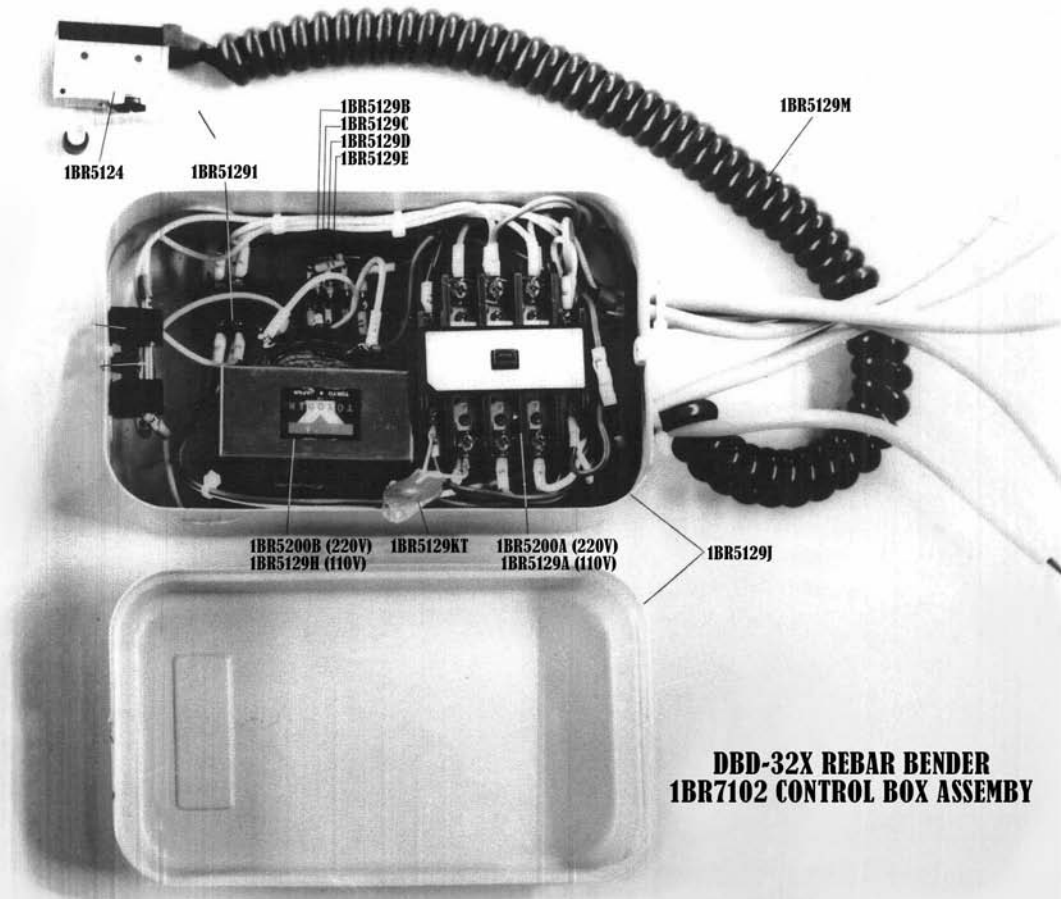


**DBD-32X REBAR BENDER  
GEAR CASE GROUP**



**DBD-32X Rebar Bender  
Clutch Group (Not Sold Separately)**





1BR5124

1BR51291

1BR5129B  
1BR5129C  
1BR5129D  
1BR5129E

1BR5129M

1BR5200B (220V)  
1BR5129H (110V)

1BR5129KT

1BR5200A (220V)  
1BR5129A (110V)

1BR5129J

**DBD-32X REBAR BENDER  
1BR7102 CONTROL BOX ASSEMBLY**

**DBD-32X Rebar Bender  
Foot Switch & Electrical Panel Group**



1BR7102

1BR5130 (OPTION)

1BR5125

3CD012 ON/OFF PLATE

3CD111

1BR5126

1BR5127

1BR5128

1BR7202

1BR7201

1BRWF8215

**DBD-32X  
Rollers Set  
(T/Roller Set 2)**



**1BR7090  
No. 1**



**1BR7091  
No. 2**



**1BR70931  
No. 3**



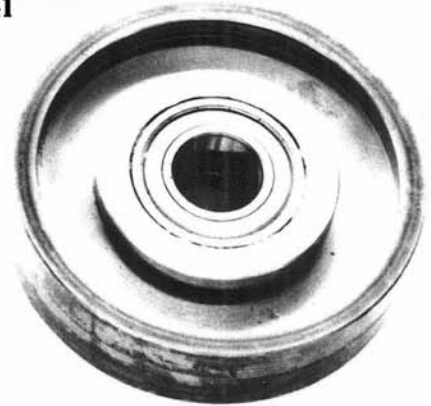
**1BR70941  
No. 4**



**1BR70951  
No. 5**



**1BR70961  
No. 6**



**1BR7097  
No. 7**

**DBD-25H**

This heavy-duty portable bender helps to save valuable man-hours by effortlessly bending rebar up to #8 (1") Grade 60 at job sites or in your shop. This strong electrical-mechanical bender has two preset angle locks for repeating the same angle bend. The lever-type angle selector can be set to accurately bend any angle from 0-180 degrees. Bends (4) each #3 rebar, (3) each #4, (2) each #5 or #6 rebar and (1) #7 or #8 rebar at one time. The roller chart makes it easy to select the correct combination of rollers to achieve an inside bending diameter of six times the rebar diameter. An emergency stop switch and two lifting handles are standard features. The DBD-25H portable rebar bender comes complete with (9) bending rollers in two steel carrying cases, a tool kit, a bender cover, and a standard foot pedal control switch for hands-free bending. Optional circular pattern bending rollers are available. Benner-Nawman backs it with a one-year warranty.

DBD-25H Details	
Maximum Bending Diameter	#8 (1") (25mm) Grade 60
Bending Angle	0 – 180 degrees
Bending Speed	9 Seconds for 180 degree bend
Power Supply	115V 50/60Hz -15 amps
Weight	210 lbs. (95 kg)