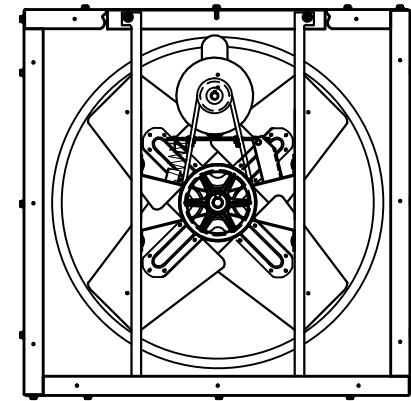
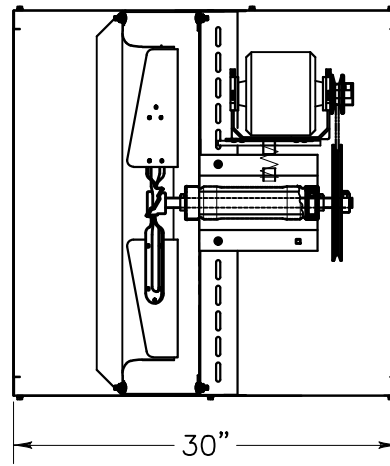


INTAKE VIEW



DISCHARGE VIEW

HORSE POWER: 1/2
 VOLTAGE: 230V
 PHASE: 1
 BLADE DIAMETER: 24"



TRIANGLE ENGINEERING
 OF ARKANSAS, INC.

RV12413W
 WALL FAN

RV12413W

REV

DR. BY: TOM KING

CKD.

APP.

SHEET 1 OF 1

NOT TO SCALE

1 OCT 2015