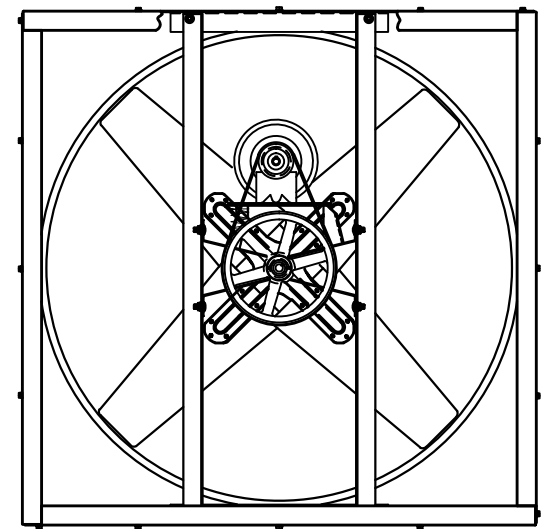
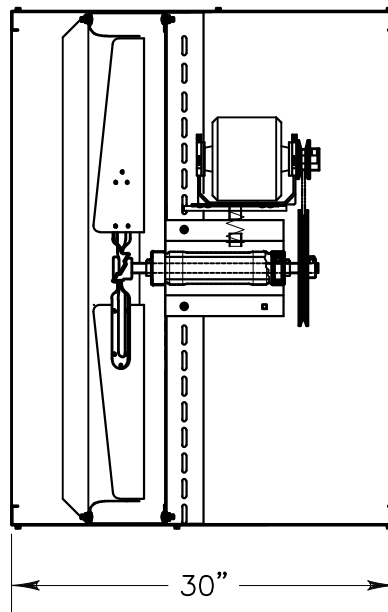


INTAKE VIEW



DISCHARGE VIEW

HORSE POWER: 1 1/2
 VOLTAGE: 230/460V
 PHASE: 3
 BLADE DIAMETER: 36"



TRIANGLE ENGINEERING
 OF ARKANSAS, INC.

RVI3616X
 WALL FAN

RVI3616X

REV

DR. BY: TOM KING

CKD.

APP.

SHEET 1 OF 1

NOT TO SCALE

28 SEP 2015