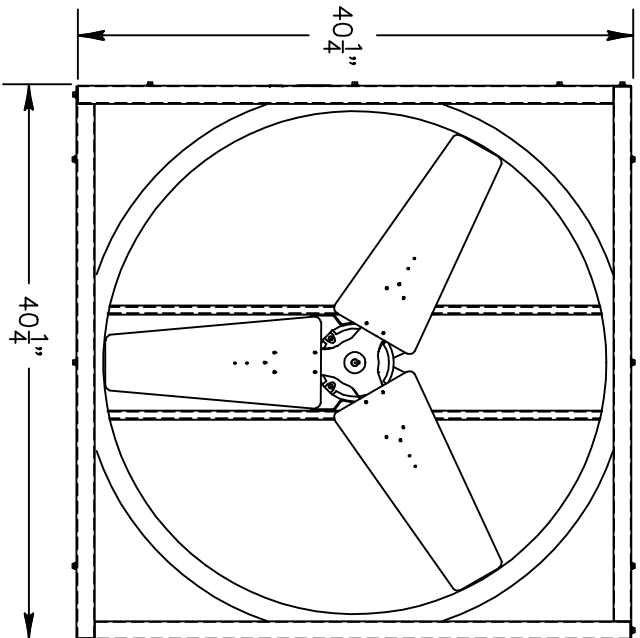
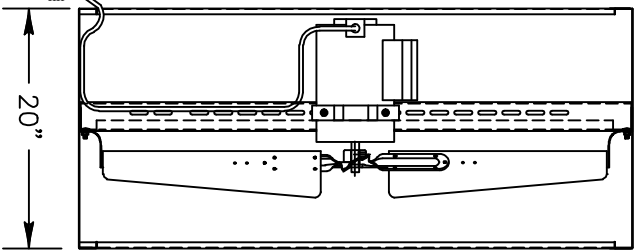


8 FOOT OF CORD
OUTSIDE THE BOX.



TRIANGLE ENGINEERING
CERTIFIED DRAWING

BY: _____
 FOR: _____
 DATE: _____
 VD3615 INDUSTRIAL EXHAUST FAN
 1 HP 115 V. SINGLE PHASE
 BLADE DIA 36"



TRIANGLE ENGINEERING
OF ARKANSAS, INC.

VID3615-115
INDUSTRIAL EXHAUST FAN

DR. BY: TOM KING

CKD.

APP.

L-VID3615-115

REV

SHEET 1 OF 1

NOT TO SCALE 4 MAR 2009