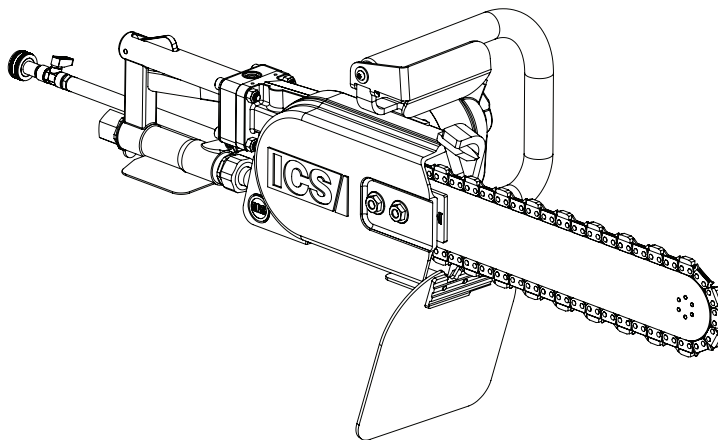


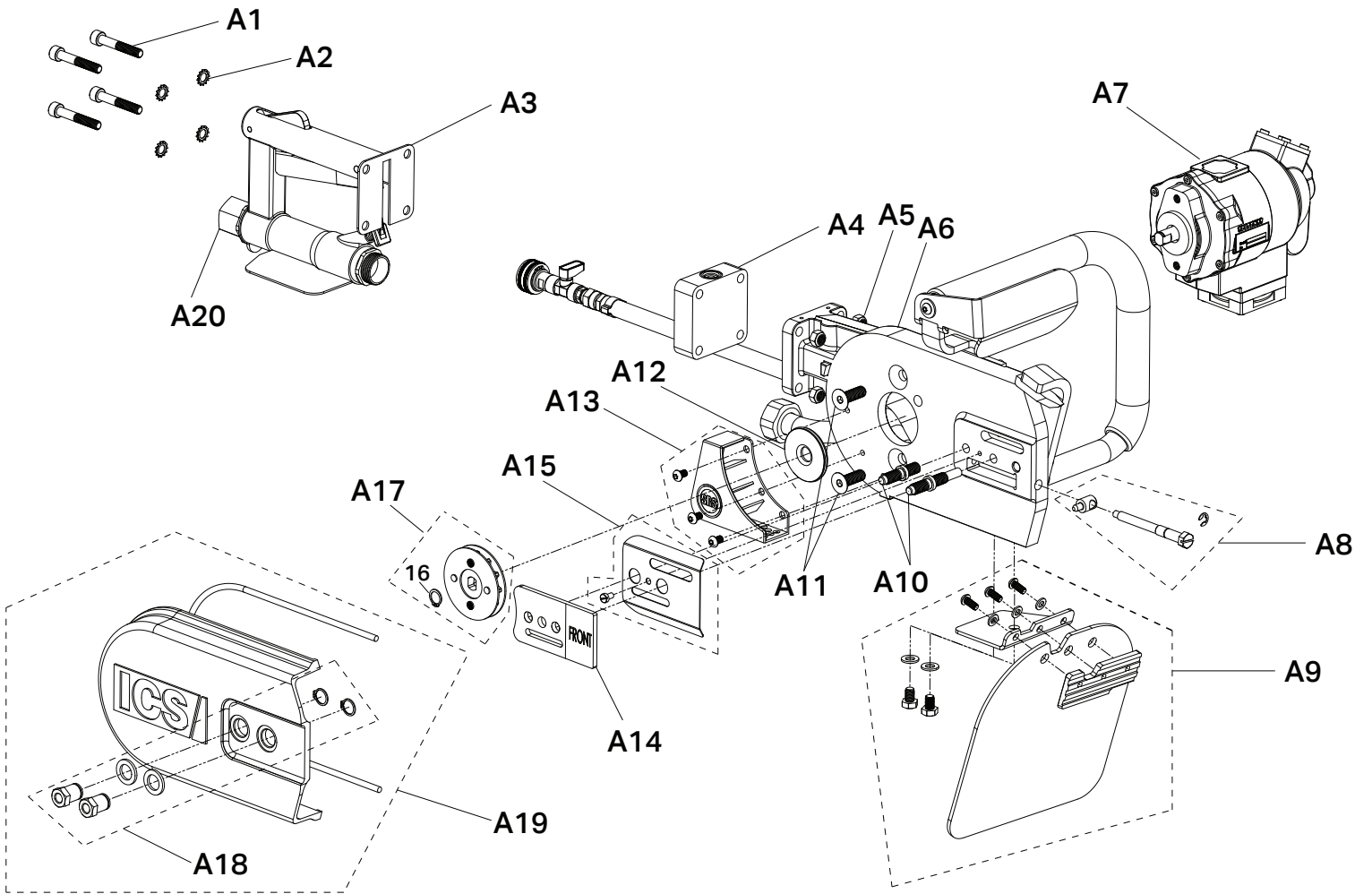


**Diamond Tools and Equipment  
for Construction and Infrastructure**

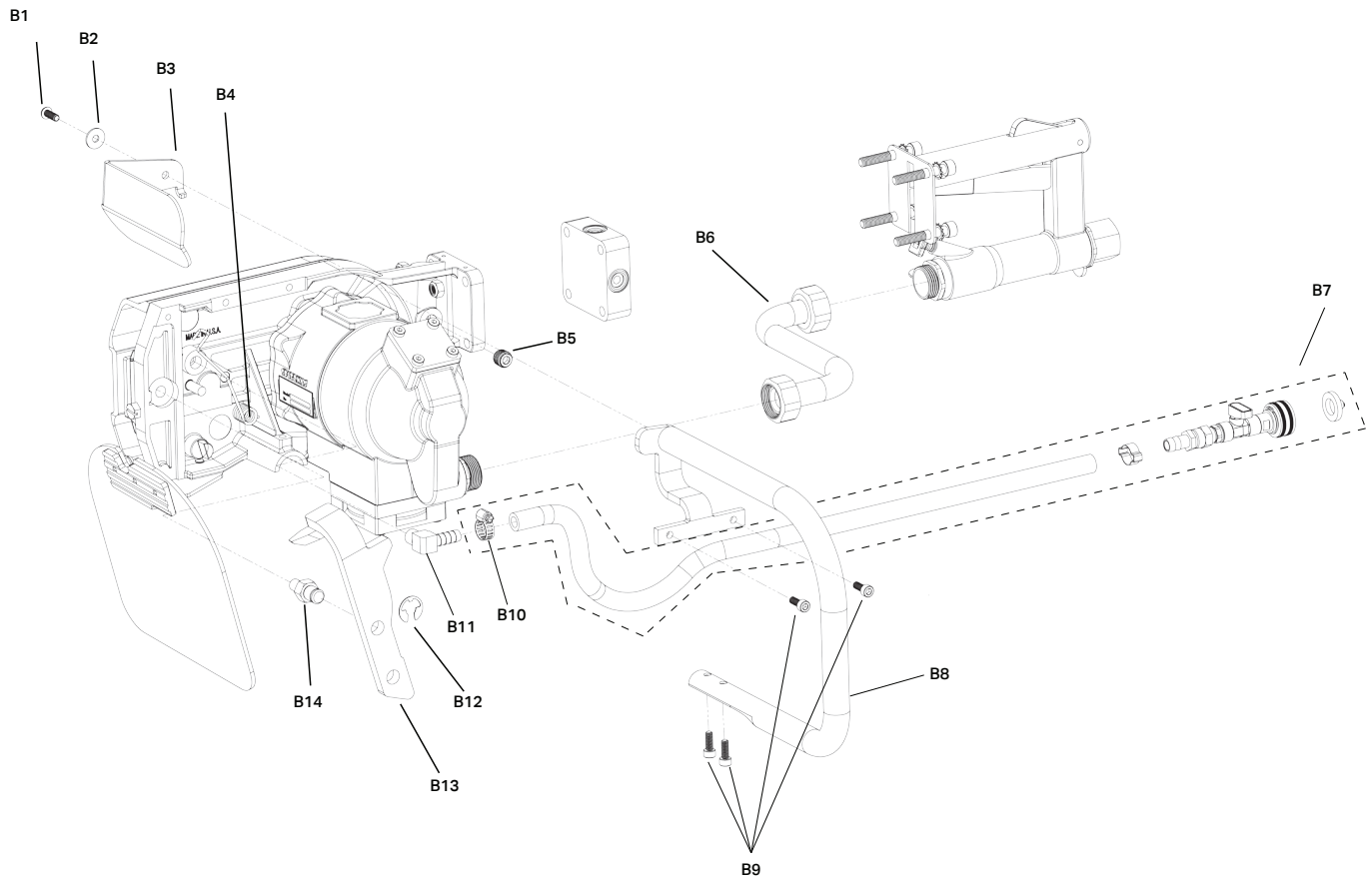
## **AIR POWERED CONCRETE CUTTING CHAINSAW**



## **Model # 701-A REPLACEMENT PARTS PRICE LIST**



Key #	Part No.	Description	MSRP
A1	576557	Rear Handle Screw	\$6.00
A2	576558	Rear Handle Washer	\$2.00
A3	576467	Rear Handle	\$860.00
A4	576559	Level Block	\$260.00
A5	70135	Rear Handle Nylock Nut	\$0.25
A6	574206	Mainframe	\$195.00
A7	576468	Motor	\$2,320.00
A8	70636	Tensioner Kit	\$56.00
A9	576336	Mud Flap Assembly	\$84.90
A10	72349	Bar Mounting Studs	\$59.00
A11	576573	Bolt, Motor Mount	\$11.00
A12	525598	External Shaft Seal	\$56.00
A13	512592	Baffle Drain Replacement Kit	\$62.50
A14	70627	Bar Mount Cover Plate	\$22.80
A15	70628	Bar Retainer Plate	\$34.50
A16	549796	Snap Ring	\$4.15
A17	565065	Drive Sprocket (includes snap ring)	\$222.55
A18	70639	Retaining Nut Kit (set of 2)	\$52.00
A19	528564	Side Cover Replacement Kit	\$188.50
A20	576613	NPT Fitting 3/4 x 14"	\$55.00



Key #	Part No.	Description	MSRP
B1	71005	Screw M6 x 16 BSHCS Plated	\$1.00
B2	71004	Washer M6 Plated	\$0.20
B3	576326	Front Handle Guard	\$45.00
B4	70640	Torsion Spring, WallWalker®	\$19.70
B5	504766	1/4" NPT Hex Plug, S.S.	\$15.00
B6	576466	Connection Tube (fitting included)	\$630.00
B7	576527	Water Shut-Off Sub Assy, 2 ft.	\$75.00
B8	576325	Front Handle Assembly	\$180.00
B9	71097	Screw M6 x 16 SHCS plated	\$0.50
B10	71133	Screw Hose Clamp	\$4.00
B11	71065	90 degree water fitting	\$10.50
B12	71896	WallWalker® Stud C-Clip	\$0.65
B13	70873	Lever Arm	\$110.00
B14	70874	Pro Pivot Stud	\$19.50

## NOT SHOWN

Part No.	Description	MSRP
70619	Tensioning Screwh	\$1.00
540291	Side Cover Gasket	\$0.20
530046	701A Series FORCE4™ Bar Nose Sprocket Repair Kit	\$45.00
575014	701-A Tune-up Kit <sup>1</sup>	\$19.70
575015	701-A Repair Kit - includes tune up kit <sup>2</sup>	\$15.00
575013	Airpac, pneumatic saw oiler	\$630.00
575107	PROLUBE - Atl 1 gal. bottle	\$75.00
575108	PROLUBE - Atl 4 gal case	\$180.00
575109	PROLUBE ATL/AF 1 gal. bottle	\$0.50
575110	PROLUBE, ATL/AF 4 gal case	\$4.00
575105	PROLUBE-ATL/AF 1 quart bottle	\$10.50
575111	PROLUBE, ATL/AF 12 quarts	\$0.65
575096	Rotor with drive shaft	\$110.00
575097	Vane, 701-A motor	\$19.50
575098	End Plate, 701-A Motor Rear	\$215.00
575099	End Plate, 701-A Motor Front	\$170.00
575130	OILER, w/hose whip, 3/4 X 6 ft	\$195.00
576349	Grooved Ball Bearing 701-A Motor	\$54.00
576350	Grooved Ball Bearing 701-A Motor	\$56.00
576355	Ball	\$28.00
576567	Trigger Lock Out Bolt	\$299.00
576566	Valve Lifter	\$32.00
576565	Roll Pin, Trigger Rear	\$9.00
576564	Roll Pin, Trigger Rear	\$9.00
576354	Belleville Spring, 701-A Motor	\$58.00
576353	Spring, 701-A Valve	\$8.00
576562	Lock Out Spring	\$39.00
576561	Spring 701-A Plunger	\$72.00
567560	O-ring 701-A Valve	\$2,055.00
576357	O-ring 701-A Motor	\$3.00
576352	Sealing Ring, 701-A Valve	\$16.00
576728	Coupler, 3/4 Universal Air Intake Saw End	\$17.00
576739	Coupler, 3/4 Universal Hose Barb End	\$16.00

<sup>1</sup>Tune-up kit includes: Grooved ball bearing (2), Vane (5), O ring (3), gasket (1), pressure spring (2)

<sup>2</sup> Repair-up kit includes: Cylinder bushing, end plate (2), spacer ring (2), bras (2), rotor (1), tuning-up kit

**This page intentionally left blank**

## 701A SERIES REPLACEMENT PARTS LIST

---

**ICS, Blount Inc.  
4909 SE International Way  
Portland, OR 97222  
Tel 800.321.1240 Fax 503.653.4393  
icsdiamondtools.com**