

PARTS MANUAL



MODEL GAW-135H PORTABLE DC WELDER AC GENERATOR (HONDA GX200VEN2 GASOLINE ENGINE)

Revision #2 (05/06/21)

To find the latest revision of this publication or associated operation manual, visit our website at: www.multiquip.com



THIS MANUAL MUST ACCOMPANY THE EQUIPMENT AT ALL TIMES.

GAW-135H — Portable DC Welder/ AC Generator

Table Of Contents.....	2
Explanation Of Code In Remarks Column.....	4
Suggested Spare Parts	5

Component Drawings

Nameplate And Decals Assembly	6-9
Engine/Generator Assembly.....	10-11
Control Box Assembly	12-15
Pipe Frame/Fuel Tank Assembly	16-17
Muffler Assembly	18-19

NOTICE

Part numbers are subject to change without notice.

NOTES

EXPLANATION OF CODE IN REMARKS COLUMN

The following section explains the different symbols and remarks used in the Parts section of this manual. Use the help numbers found on the back page of the manual if there are any questions.

NOTICE

The contents and part numbers listed in the parts section are subject to change **without notice**. Multiquip does not guarantee the availability of the parts listed.

SAMPLE PARTS LIST

NO.	PART NO.	PART NAME	QTY.	REMARKS
1	12345	BOLT	1	INCLUDES ITEMS W/%
2%		WASHER, 1/4 IN.		NOT SOLD SEPARATELY
2%	12347	WASHER, 3/8 IN. ...	1	MQ-45T ONLY
3	12348	HOSE	A/R	MAKE LOCALLY
4	12349	BEARING	1	S/N 2345B AND ABOVE

NO. Column

Unique Symbols — All items with same unique symbol (@, #, +, %, or >) in the number column belong to the same assembly or kit, which is indicated by a note in the “Remarks” column.

Duplicate Item Numbers — Duplicate numbers indicate multiple part numbers, which are in effect for the same general item, such as different size saw blade guards in use or a part that has been updated on newer versions of the same machine.

NOTICE

When ordering a part that has more than one item number listed, check the remarks column for help in determining the proper part to order.

PART NO. Column

Numbers Used — Part numbers can be indicated by a number, a blank entry, or TBD.

TBD (To Be Determined) is generally used to show a part that has not been assigned a formal part number at the time of publication.

A blank entry generally indicates that the item is not sold separately or is not sold by Multiquip. Other entries will be clarified in the “Remarks” Column.

QTY. Column

Numbers Used — Item quantity can be indicated by a number, a blank entry, or A/R.

A/R (As Required) is generally used for hoses or other parts that are sold in bulk and cut to length.

A blank entry generally indicates that the item is not sold separately. Other entries will be clarified in the “Remarks” Column.

REMARKS Column

Some of the most common notes found in the “Remarks” Column are listed below. Other additional notes needed to describe the item can also be shown.

Assembly/Kit — All items on the parts list with the same unique symbol will be included when this item is purchased.

Indicated by:

“INCLUDES ITEMS W/(unique symbol)”

Serial Number Break — Used to list an effective serial number range where a particular part is used.

Indicated by:

“S/N XXXXX AND BELOW”

“S/N XXXX AND ABOVE”

“S/N XXXX TO S/N XXX”

Specific Model Number Use — Indicates that the part is used only with the specific model number or model number variant listed. It can also be used to show a part is NOT used on a specific model or model number variant.

Indicated by:

“XXXXX ONLY”

“NOT USED ON XXXX”

“Make/Obtain Locally” — Indicates that the part can be purchased at any hardware shop or made out of available items. Examples include battery cables, shims, and certain washers and nuts.

“Not Sold Separately” — Indicates that an item cannot be purchased as a separate item and is either part of an assembly/kit that can be purchased, or is not available for sale through Multiquip.

SUGGESTED SPARE PARTS

GAW-135H WELDER/GENERATOR WITH HONDA GX200VEN2 GASOLINE ENGINE

1 to 5 units

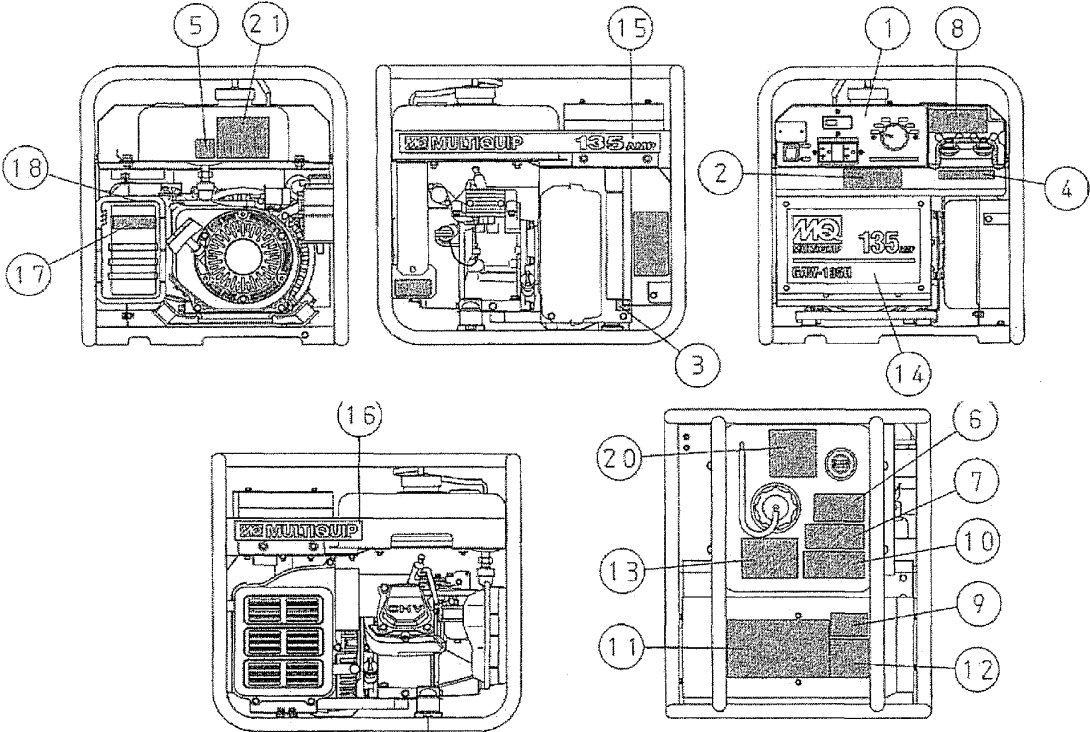
Qty.	P/N	Description
1.....	0430430120.....	CAP, FUEL TANK (S/N 5856953 AND BELOW)
1.....	A2361000304	CAP, FUEL TANK (S/N 5856954 AND ABOVE)
1.....	0641360030.....	FILTER, FUEL TANK
3.....	17211ZB2000	ELEMENT, AIR CLEANER
3.....	9807956846.....	SPARK PLUG
1.....	28462ZH8003.....	ROPE, RECOIL STARTER

NOTICE

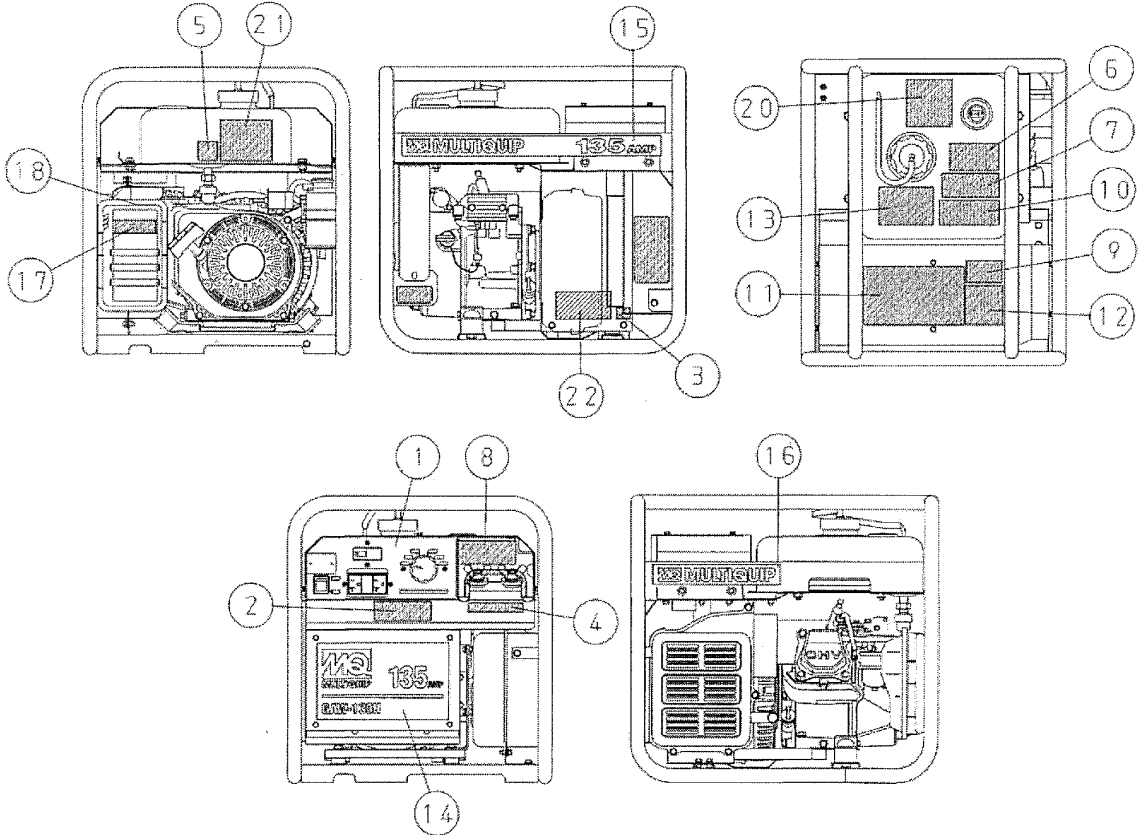
Part numbers on this Suggested Spare Parts list may supersede/replace the part numbers shown in the following parts lists.

NAMEPLATE AND DECALS ASSY.

S/N 5618609 AND BELOW



S/N 5618610 ~ 5651616

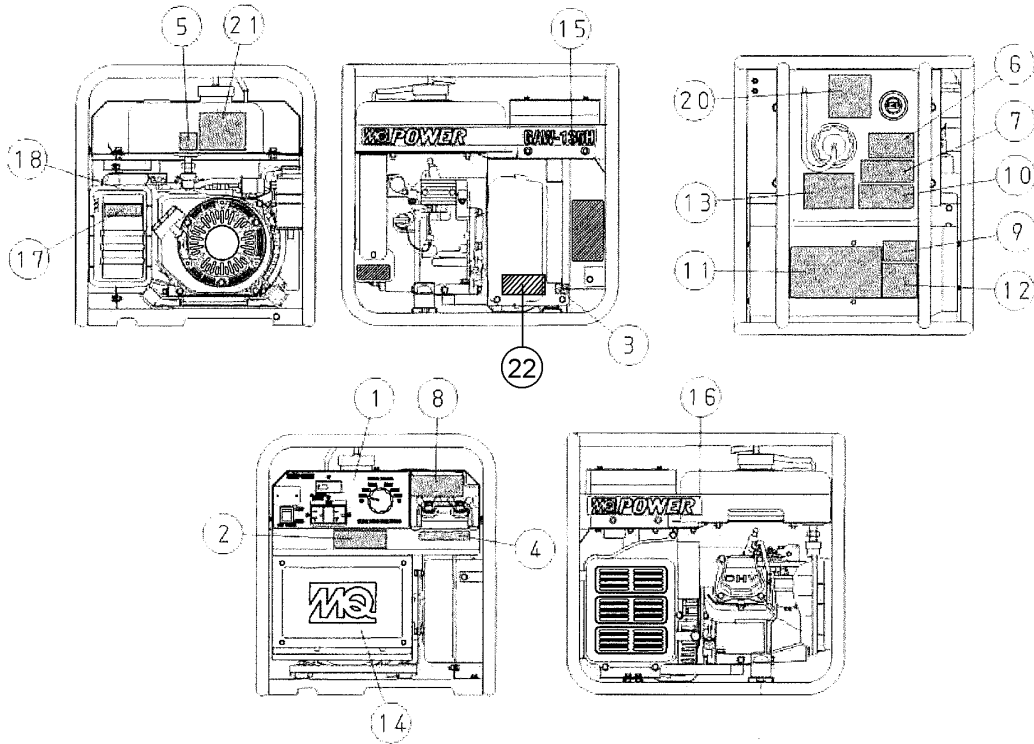


NAMEPLATE AND DECALS ASSY.

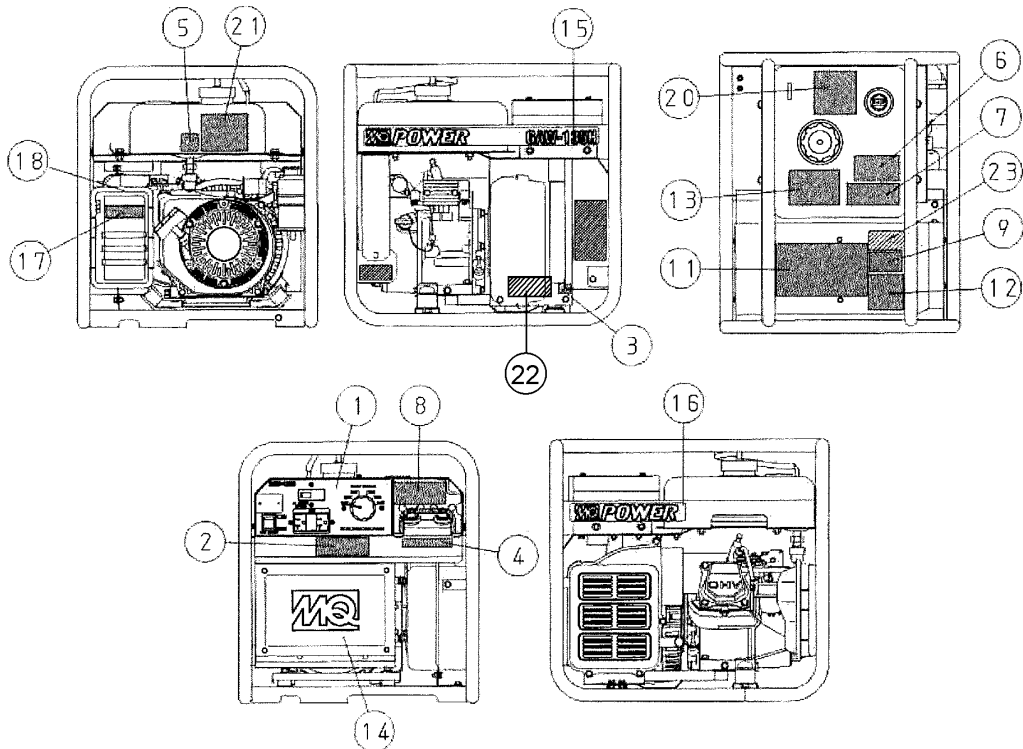
NO.	PART NO.	PART NAME	QTY.	REMARKS
1	D0521100103	DECAL; CONTROL PANEL	1.....	S/N 5651616 AND BELOW
2	D9504200004	DECAL; CAUTION, NEVER ATTEMPT	1.....	90420000
3	W0800628504	DECAL; GROUND TERMINAL	1.....	S-1123
4	W0800690804	DECAL; WELDING	1.....	S-1238A
5	W1980680004	DECAL; FUEL COCK.....	1.....	S-3704
6	W0820610404	DECAL; WARNING INDOOR WIRING	1.....	S-3627
7	W8700611804	DECAL; WARNING, DANGEROUS GASES.....	1.....	S-4984 S/N 5751344 AND BELOW
8	W8700611904	DECAL; DANGER, ELECTRIC SHOCK HAZ	1.....	S-4985
9	W7900636004	DECAL; CAUTION, OP AT 3600 RPM ONLY	1.....	S-4461
10	D9522100204	DECAL; WARNING, PROPOSITION 65	1.....	D92210020 S/N 5825168 AND BELOW
11	D9512100203	DECAL; CAUTION, WELDING OPERATION.....	1.....	D91210020
12	A9511100004	DECAL; WARNING READ MANUAL	1.....	A91110000
13	A9521200004	DECAL; OPERATING INSTRUCTION	1.....	A92120000
14	D0561200004	DECAL; MQ MULTIQUIP 135A GAW 135H.....	1.....	S/N 5651616 AND BELOW
15		DECAL; MQ_MULTIQUIP 135A.....	1.....	S/N 5651616 AND BELOW
16	D0561000104	DECAL; MQ MULTIQUIP	1.....	S/N 5651616 AND BELOW
17	87533ZC0630	DECAL; AIR CLEANER	1	
18	87528ZB2630	DECAL; CHOKE	1	
20	B9531100104	DECAL; DANGER ELECTROCUTION	1.....	D93110010
21	A9504000014	DECAL; WARNING, DANGEROUS GAS	1.....	A90400001
22	M9504200004	DECAL; WARNING, START FIRES	1.....	M90420000 S/N 5618610 ABOVE

NAMEPLATE AND DECALS ASSY. (CONT'D.)

S/N 5651617 ~ 5825168



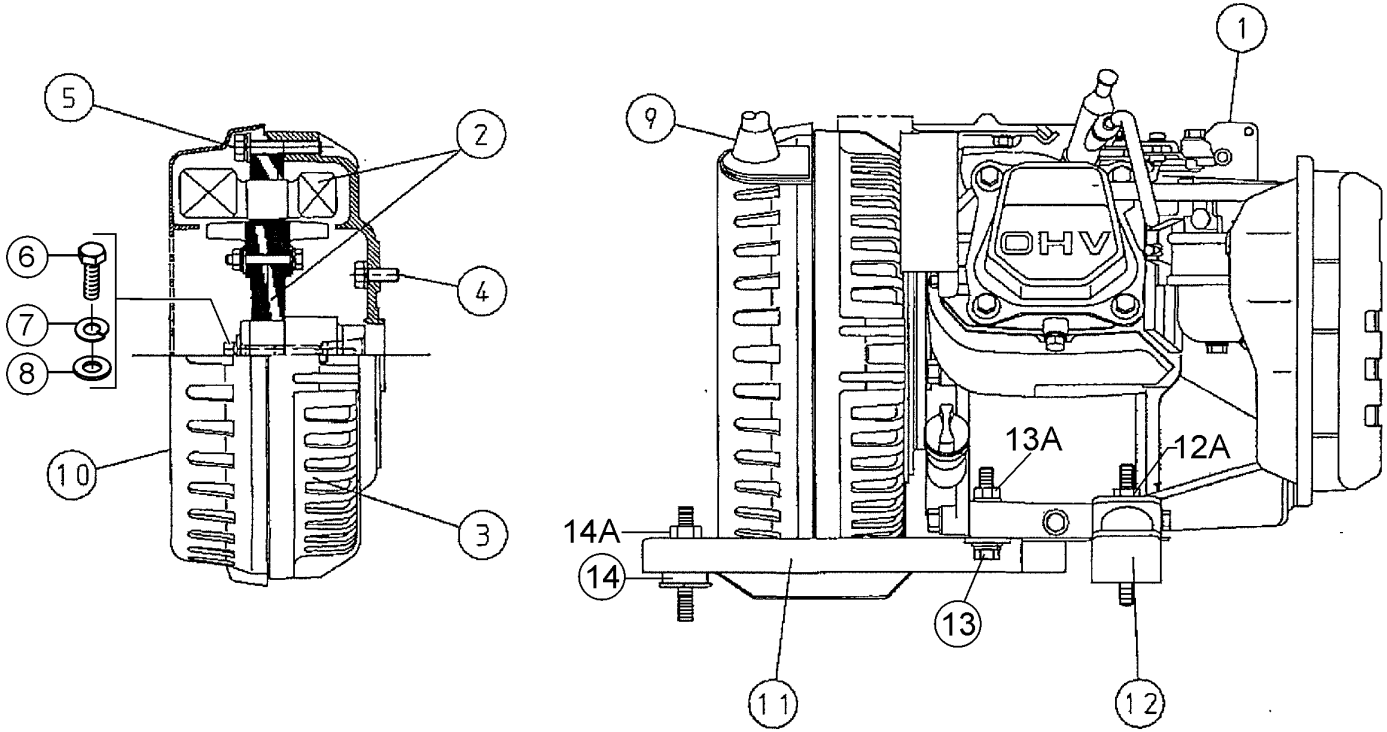
S/N 5825169 AND ABOVE



NAMEPLATE AND DECALS ASSY. (CONT'D.)

<u>NO.</u>	<u>PART NO.</u>	<u>PART NAME</u>	<u>QTY.</u>	<u>REMARKS</u>
1	D0521100203	DECAL; CONTROL PANEL	1.....	S/N 5651617 AND ABOVE
2	D9504200004	DECAL; CAUTION, NEVER ATTEMPT	1.....	90420000
3	W0800628504	DECAL; GROUND TERMINAL	1.....	S-1123
4	W0800690804	DECAL; WELDING	1.....	S-1238A
5	W1980680004	DECAL; FUEL COCK.....	1.....	S-3704
6	W0820610404	DECAL; WARNING INDOOR WIRING	1.....	S-3627
7	D9504200204	DECAL; DANGER, DANGEROUS GAS	1.....	D90420020 S/N 5751345 AND ABOVE
8	W8700611904	DECAL; DANGER, ELECTRIC SHOCK HAZ	1.....	S-4985
9	W7900636004	DECAL; CAUTION, OP AT 3600 RPM ONLY	1.....	S-4461
11	D9512100203	DECAL; CAUTION, WELDING OPERATION.....	1.....	D91210020
12	A9511100004	DECAL; WARNING READ MANUAL	1.....	A91110000
13	A9521200004	DECAL; OPERATING INSTRUCTION.....	1.....	A92120000
14	D0561200104	DECAL; MQ	1.....	S/N 5651617 AND ABOVE
15	D0561000303	DECAL; MQ POWER.....	1.....	S/N 5651617 AND ABOVE
16	0561000204	DECAL; MQ POWER	1.....	S/N 5651617 AND ABOVE
17	87533ZC0630	DECAL; AIR CLEANER	1	
18	87528ZB2630	DECAL; CHOKE	1	
20	B9531100104	DECAL; DANGER ELECTROCUTION	1.....	D93110010
21	A9504000014	DECAL; WARNING, DANGEROUS GAS	1.....	A90400001
22	M9504200004	DECAL; WARNING, START FIRES	1.....	M90420000 S/N 5618610 ABOVE
23	A9511101304	DECAL; WARNING, PROPOSITION 65	1.....	A91110130 S/N 5825169 ABOVE

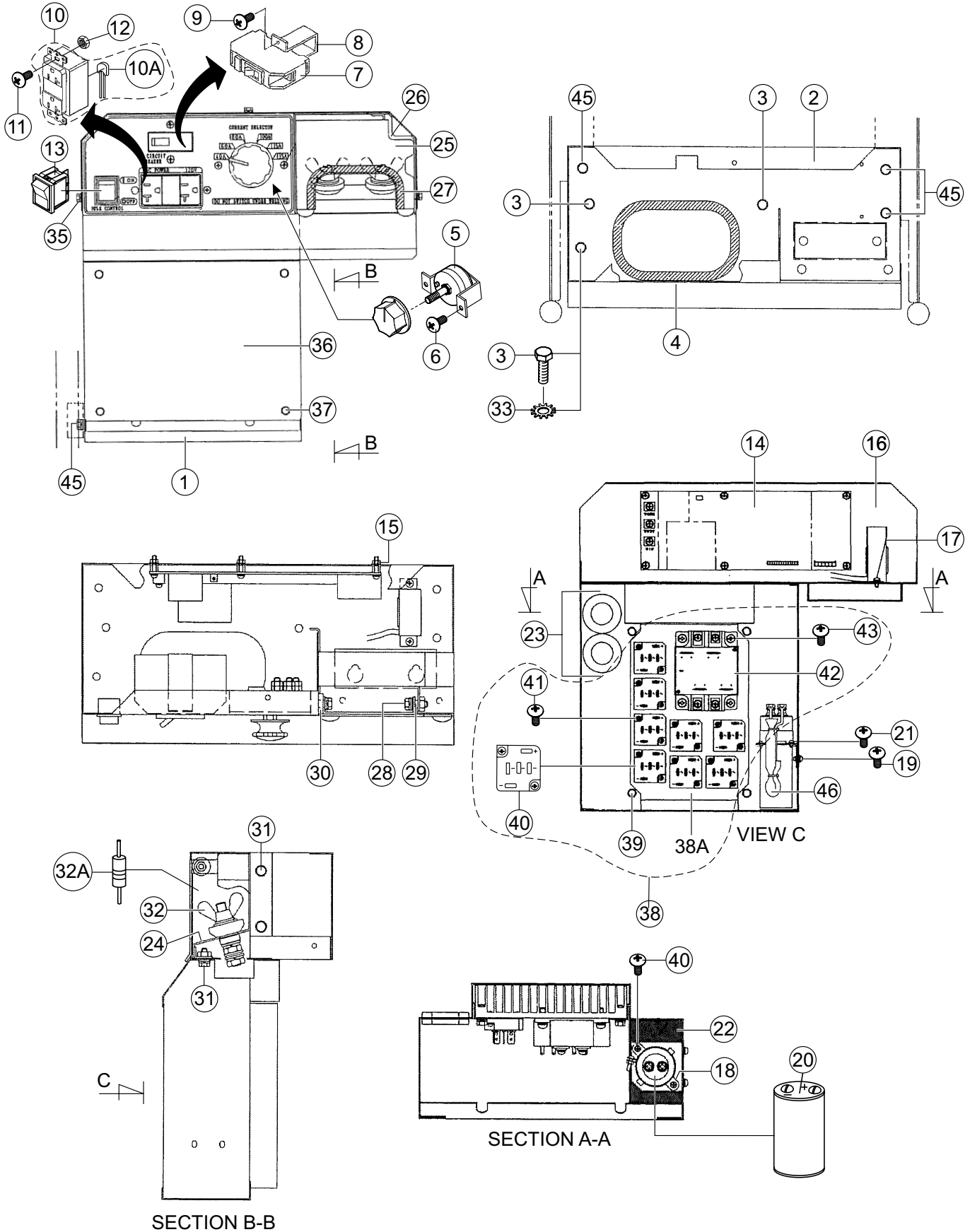
ENGINE/GENERATOR ASSY.



ENGINE/GENERATOR ASSY.

<u>NO.</u>	<u>PART NO.</u>	<u>PART NAME</u>	<u>QTY.</u>	<u>REMARKS</u>
1	D0924200004	ENGINE, HONDA GX200VEN2	1	
2	D101000003	GENERATOR ASSY.	1	
3	D0155100003	END BRACKET	1	
4	0012808020	HEX. HEAD BOLT	4	
5	0012308045	HEX. HEAD BOLT	4	
6	0012108070	HEX. HEAD BOLT	1	
7	0040008000	WASHER, LOCK	1	
8	W0801086004	WASHER, FLAT	1	
9	D1153300114	GROMMET	2	
10	D1153400212	COVER	1	
11	D0416 00033	BASE	1	
12	W7935416004	RUBBER SUSPENSION	2	
12A	0207208000	HEX. NUT	4	
13	0016908045	HEX. HEAD BOLT	2	
13A	0207208000	HEX. NUT	2	
14	W7935419204	RUBBER SUSPENSION	2	
14A	0207208000	HEX. NUT	4	

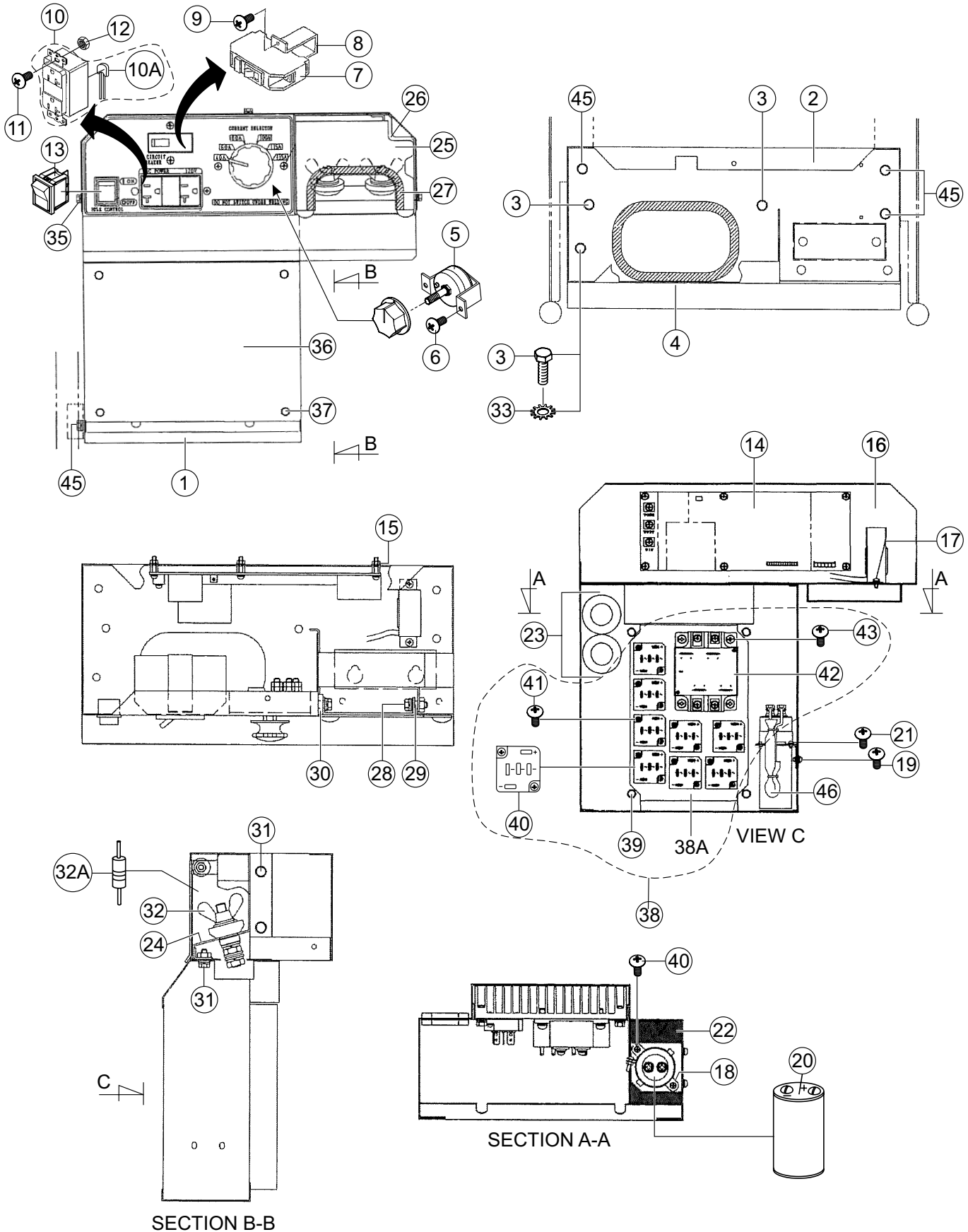
CONTROL BOX ASSY.



CONTROL BOX ASSY.

<u>NO.</u>	<u>PART NO.</u>	<u>PART NAME</u>	<u>QTY.</u>	<u>REMARKS</u>
1	D0214000303	CONTROL BOX (FIN SIDE)	1	
2	D0214000203	CONTROL BOX	1	
3	0016906015	HEX. HEAD BOLT	3	
4	0226900350	TRIM SEAL	1	
5	0601803051	CURRENT SELECTOR	1	
6	0027004030	MACHINE SCREW	2	
7	0601807489	CIRCUIT BREAKER, 12.5A.....	1	S/N 5653859 AND BELOW
7A	0601809090	CIRCUIT BREAKER, 15A 1P	1	5653860 ~ 5685065
78	0601807 489	CIRCUIT BREAKER, 12.5A.....	1	5685066 AND ABOVE
8	W3011816004	BRACKET, CIRCUIT BREAKER	1	
9	0021004010	MACHINE SCREW	2	
10	0601812598	RECEPTACLE 5-20R GF53OEM (GFCI).....	1	INCLUDES ITEMS W/\$ 5608629 AND BELOW
10	0601814013	RECEPTACLE 5-20R GF20LA (GFCI)	1	INCLUDES ITEM W/\$ 5608630 ~ 5792385
10	0601814024	RECEPTACLE 5-20R GFRST20DEN (GFCI)....	1	INCLUDES ITEM W/\$ 5792386 ~ 5856953
10	0601814034	RECEPTACLE 5-20R GFWR2-E (GFCI).....	1	INCLUDES ITEM W/\$ 5856954 AND ABOVE
10A\$	0601826150	CAPACITOR 250 VAC, 0.1 µF (C2)	1	
11	0021004010	MACHINE SCREW	2	
12	0207004000	HEX. NUT	2	
13	0601831620	ROCKER SWITCH	1	
14	D0923100004	INVERTER UNIT IN-10A	1	
15	0207004000	HEX. NUT	6	
16	0601827350	SLOWDOWN CONTROL UNIT	1	
17	0028604010	MACHINE SCREW	2	
18	D0260600014	BRACKET, CAPACITOR	1	
19	0028604010	MACHINE SCREW	2	
20	0601826178	CAPACITOR, KMH250LGSN 250V 1500MB (C1)	1	
21	0028603006	MACHINE SCREW	2	
22	D0260600104	RUBBER SEAT	1	
23	0601850102	GROMMET	2	
24	D0237200003	BRACKET, OUTPUT TERMINAL	1	
25	D0237100004	COVER, OUTPUT TERMINAL	1	
26	D0237 00004	RUBBER SEAT	1	
27	0316800160	TRIM SEAL	1	
28	0016906020	HEX. HEAD BOLT	2	
29	W0805088304	COLLAR	2	
30	W0805088004	STAY RUBBER	1	
31	0016906015	HEX. HEAD BOLT	4	
32	D1230500004	OUTPUT TERMINAL	2	
32A	D0266600004	RESISTOR, 15KΩ	1	
33	0040506000	TOOTHED WASHER	1	

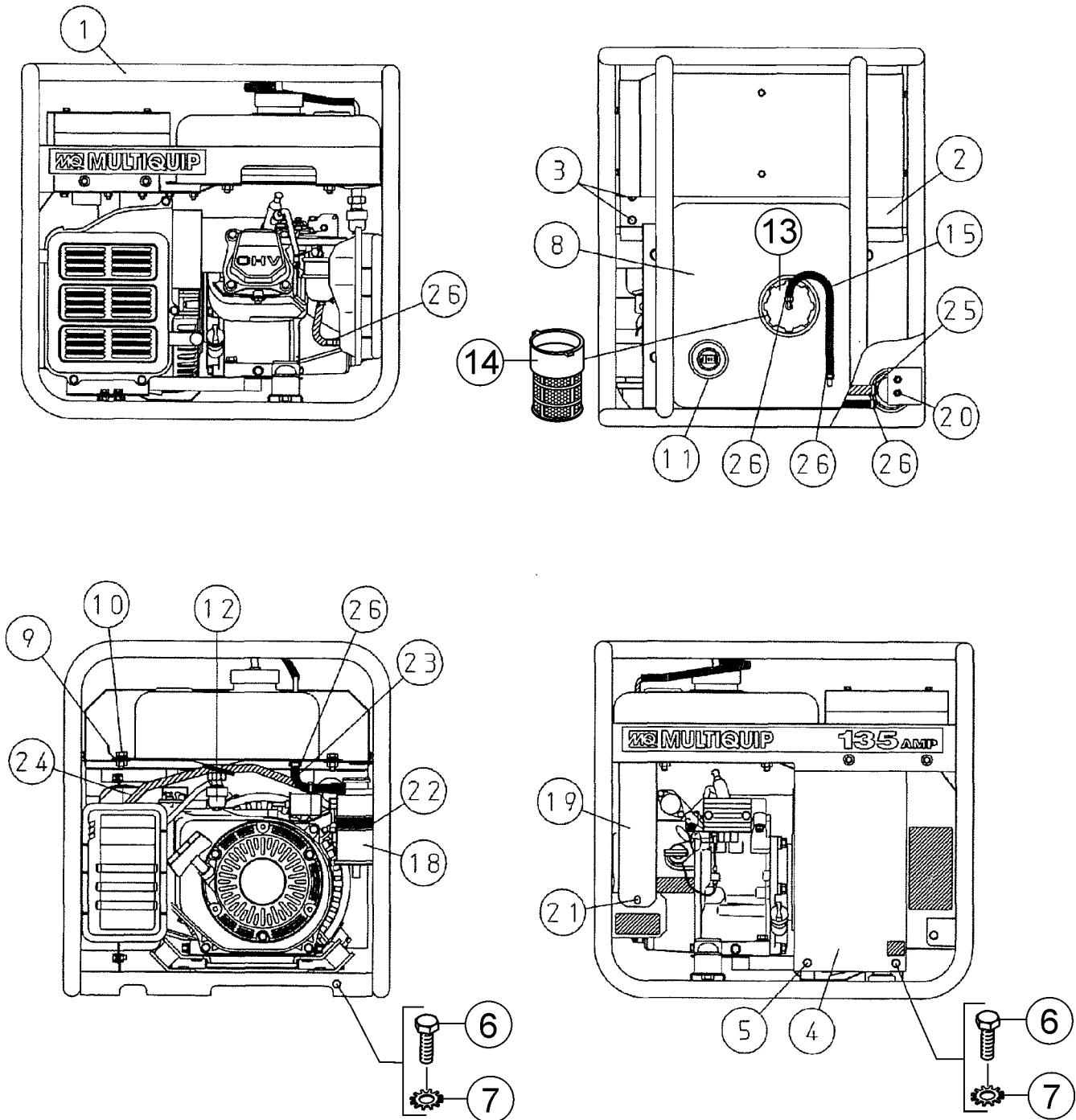
CONTROL BOX ASSY. (CONT'D.)



CONTROL BOX ASSY. (CONT'D.)

<u>NO.</u>	<u>PART NO.</u>	<u>PART NAME</u>	<u>QTY.</u>	<u>REMARKS</u>
1	D0214000303	CONTROL BOX (COOLING FIN SIDE)	1	
34	D02145 00103	ROOF, CONTROL BOX	1	
35	0016905012	HEX. HEAD BOLT	6	
36	D0214600004	COVER, CONTROL BOX	1	
37	D0016905012	HEX. HEAD BOLT	4	
38	D 0266000123	FIN ASSY.	1	
38A#	D0266300214	FIN	1.....	INCLUDES ITEMS W/#
39#	0016905015	HEX. HEAD BOLT	4	
40#	0601823208	RECTIFIER S30VT60	8	
41#	0027103012	MACHINE SCREW	16	
42#	D 0261000103	TRANSISTOR ASSY.	1	
43#	0027105015	MACHINE SCREW	4	
45	0016906015	HEX. HEAD BOLT	4	
46	D0267600004	RESISTOR.....	1.....	S/N 5610470 AND ABOVE

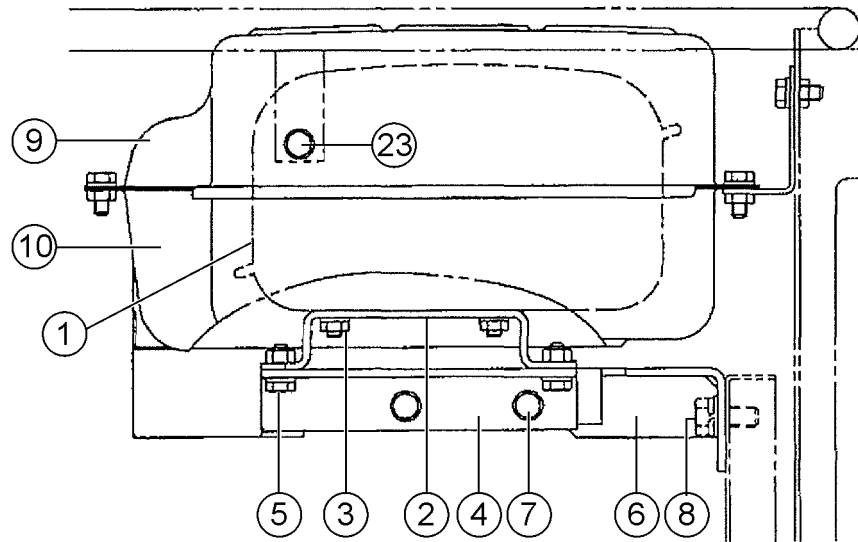
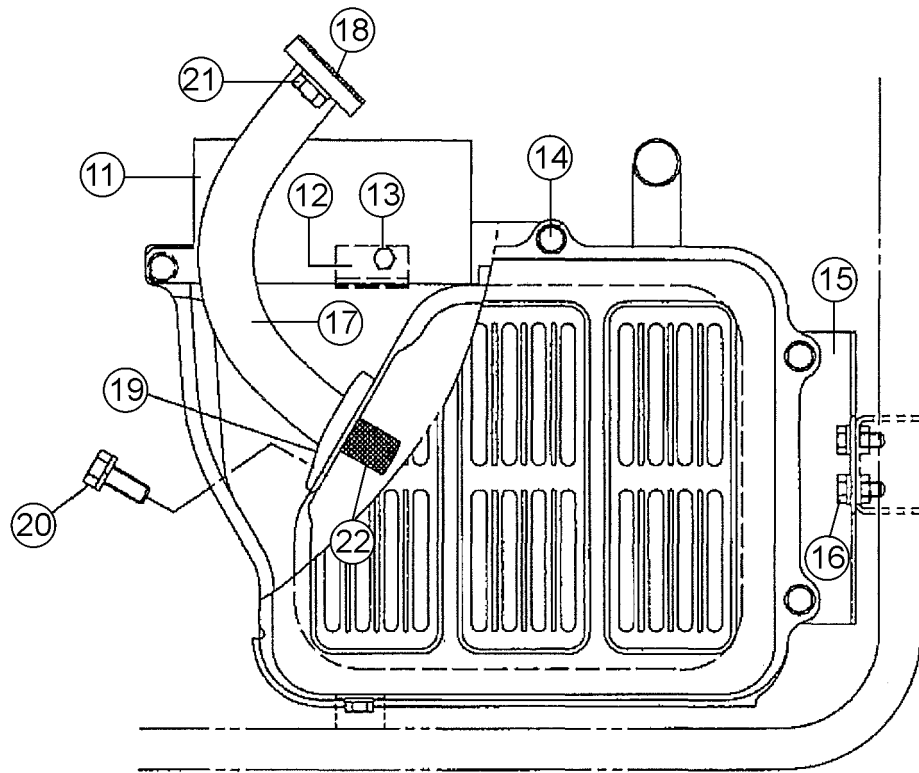
PIPE FRAME/FUEL TANK ASSY.



PIPE FRAME/FUEL TANK ASSY.

<u>NO.</u>	<u>PART NO.</u>	<u>PART NAME</u>	<u>QTY.</u>	<u>REMARKS</u>
1	D0417000102	PIPE FRAME	1.....	S/N 5598074 AND BELOW
1	D0417000112	PIPE FRAME	1.....	S/N 5598075 AND ABOVE
2	D0417400004	GENERATOR GUARD	1	
3	0016906016	HEX. HEAD BOLT	3	
4	D0454100003	SIDE GUARD.....	1.....	S/N 5598074 AND BELOW
4	D0454100103	SIDE GUARD.....	1.....	S/N 5598075 AND ABOVE
5	0016906016	HEX. HEAD BOLT	1	
6	0019206016	HEX. HEAD BOLT	2	
7	0040506000	TOOTHED WASHER	2	
8	D0364000002	FUEL TANK.....	1.....	S/N 5598075 ~ AND BELOW
8	D0361000004	FUEL TANK.....	1.....	5629876 ~ 5868886
8	D0361000014	FUEL TANK.....	1.....	S/N 5868887 AND ABOVE
9	D0416400204	OVER FLOW GUARD	1	
10	0016908020	HEX. HEAD BOLT	4	
11	0602125031	FUEL GAUGE	1	
12	16950898633	FUEL COCK	1.....	REPLACES P/N 0602042450
13	0430430120	CAP. FUEL TANK	1.....	REPLACES P/N 0605505068 S/N 5856953 AND BELOW
13	A2361000304	CAP. FUEL TANK	1.....	S/N 5856954 AND ABOVE
14	0641360030	FUEL FILTER	1.....	REPLACES P/N 0605505162
15	0605513189	HOSE.....	1.....	S/N 5814940 AND BELOW
15	0605513219	HOSE.....	1.....	S/N 5814941 AND ABOVE
16	0605515280	HOSE BAND	1.....	S/N 5814940 AND BELOW
17	0605515281	HOSE BAND	1.....	S/N 5814940 AND BELOW
18	0605507000	CANISTER	1.....	S/N 5856953 AND BELOW
18	0605507007	CANISTER.....	1.....	S/N 5856954 AND ABOVE
19	D0261600004	BRACKET	1	
20	0216906015	HEX. HEAD BOLT	2	
21	0016906015	HEX. HEAD BOLT	1	
22	0605515139	HOSE BAND HS32	1	
23	0605513200	HOSE	1	
24	0605513201	HOSE	1	
25	0605515226	HOSE BAND TS-125	1.....	S/N 5595267 AND BELOW
25	0605515224	HOSE BAND TS-120	1.....	S/N 5595268 AND ABOVE
26	0605515223	HOSE BAND TS-100	3.....	S/N 5814940 AND BELOW
26	0605515223	HOSE BAND TS-100	5.....	S/N 5814941 AND ABOVE

MUFFLER ASSY.



MUFFLER ASSY.

<u>NO.</u>	<u>PART NO.</u>	<u>PART NAME</u>	<u>QTY.</u>	<u>REMARKS</u>
1	18310ZB3C001	MUFFLER	1	
2	D0330400314	MUFFLER BRACKET	1	
3	0207006000	HEX NUT	2	
4	D0330400404	MUFFLER ADJUSTER	1	
5	0016906016	HEX HEAD BOLT	2	
6	D0330400033	MUFFLER STAY	1	
7	0016906016	HEX HEAD BOLT	2	
8	0016908025	HEX HEAD BOLT	1	
9	0602302006	MUFFLER COVER, OUTER	1	
10	0602302007	MUFFLER COVER, OUTER	1	
11	D0330300022	DUCT, MUFFLER COVER	1	
12	D0330300124	DUCT, BRACKET	1	
13	0016905010	HEX HEAD BOLT	1	
14	0017306010	HEX HEAD BOLT	5	
15	D0330400124	BRACKET, MUFFLER COVER	1	
16	0016906016	HEX HEAD BOLT	1	
17	D0333000012	EXHAUST PIPE	1	
18	18381ZH8800	GASKET	1	
19	18381ZE1800	GASKET	1	
20	92101980200A	HEX HEAD BOLT	2	
21	94001080000S	HEX NUT	2	
22	18355898630	SPARK ARRESTER	1	
23	016905010	HEX HEAD BOLT	1	

PARTS MANUAL

HERE'S HOW TO GET HELP

PLEASE HAVE THE MODEL AND SERIAL
NUMBER ON-HAND WHEN CALLING

UNITED STATES

Multiquip Inc.

(310) 537- 3700
6141 Katella Avenue Suite 200
Cypress, CA 90630
E-MAIL: mq@multiquip.com
WEBSITE: www.multiquip.com

CANADA

Multiquip

(450) 625-2244
4110 Industriel Boul.
Laval, Quebec, Canada H7L 6V3
E-MAIL: infocanada@multiquip.com

UNITED KINGDOM

Multiquip (UK) Limited Head Office

0161 339 2223
Unit 2, Northpoint Industrial Estate,
Globe Lane,
Dukinfield, Cheshire SK16 4UJ
E-MAIL: sales@multiquip.co.uk

© COPYRIGHT 2021, MULTIQUIP INC.

Multiquip Inc, the MQ logo are registered trademarks of Multiquip Inc. and may not be used, reproduced, or altered without written permission. All other trademarks are the property of their respective owners and used with permission.

This manual MUST accompany the equipment at all times. This manual is considered a permanent part of the equipment and should remain with the unit if resold.

The information and specifications included in this publication were in effect at the time of approval for printing. Illustrations, descriptions, references and technical data contained in this manual are for guidance only and may not be considered as binding. Multiquip Inc. reserves the right to discontinue or change specifications, design or the information published in this publication at any time without notice and without incurring any obligations.

Your Local Dealer is:

Manufactured for
Multiquip Inc.
by
DENYO CO., LTD, JAPAN

