

RAMS-2007 POWER FLANGER

ITEM NO.	PART NUMBER	DESCRIPTION	QTY.
1	B-128 BRG	BEARING .75 X 1.0 X .50 W	4
2	CPF-004	4" DRIVE GEAR	1
3	CPF-005	DRIVE SHAFT 1ST	1
4	CPF-006	TOP PLATE	1
5	CPF-008	BOTTOM PLATE: 3/4" THK	1
6	CPF-009	7" PULLEY	1
7	CPF-010	TABLE: 7GA THK	1
8	CPF-020	WELD BLOCK: 7GA THK	1
9	CPF-022	DOWEL PIN, 1/4" DIA X 3/4"	2
10	CPF-025	BEARING WASHER: 1/8" THK	1
11	CPF-027	SHCS, 5/16-18 X 5/8"	2
12	CPF-031	WOODRUFF KEY	1
13	CPF-032	HHCS, 1/4-20 X 3/4"	6
14	PF-1005	PLATE	1
15	PF-1006	SLIDE BLOCK	1
16	PF-1007	SMOOTH ROLLER	1
17	PF-1009	WASHER (RTNG RING)	4
18	PF-1010	SPUR GEAR	2
19	PF-1011	END BLOCK	1
20	PF-1013	ROUND BASE	1
21	PF-1016	AUTOGUIDE (TOP)	1
22	PF-1017	AUTOGUIDE (ROLLER)	1
23	PF-1018	SPRING ADJ. KNOB	1
24	PF-1019	TENSION BLOCK	1
25	PF-1020	SPRING PLUNGER	1
26	PF-1021	AUTOGUIDE BUSHING	1
27	PF-1022	GEAR COVER	1
28	PF-1023	AUTO GUIDE (BOTTOM)	1
29	PF-1024	HANDLE	1
30	PF-1030	BOTTOM GUIDE PIN	1
31	PF-1031	TOP GUIDE PIN	1
32	PF-1034	E-RING FOR A 5/8" DIA SHAFT	1
33	PF-1041	DOWEL PIN, 1/2" DIA X 1 1/2"	1
34	PF-1042	SHCS, 1/4-20 X 3/4", BLACK	2
35	PF-1043	DOWEL PIN, 3/8" DIA X 2"	2
36	PF-1045	DOWEL PIN, 1/4" DIA X 1"	2
37	PF-1047	SET SCREW, 1/4-20 X 3/8", CUP POINT PATCH LOC	2
38	PF-1050	SET SCREW, 1/4-20 X 1 1/4", CUP POINT	1
39	PF-1052	TOP WASHER: .030" THK	1
40	PF-1057	BHCS, 1/4-20 X 3/4", BLACK	2
41	PF-1059	BEARING: PRT # B-1012	1
42	20 GA MAX	LABEL, 20 GA MAX	1
43	KHU-380	FRONT KNOB	1
44	B-1212	NEEDLE ROLLER BEARING	2
45	5909K33	BEARING, NEEDLE ROLLER, .75 SHAFT	1
46	5909K46	BEARING THRUST WASHER, .75 SHAFT	2
47	N/A	E-RING FOR A 3/4" DIA SHAFT	1
48	N/A	SPRING	1
49	N/A	FHCS, 10-32 X 3/8", BLACK	2
50	N/A	SET SCREW, 1/4-20 X 3/8", NYLOCK, CUP POINT	2
51	HW-1143	DOWEL PIN, 1/4" X 7/8"	2
52	HW-1042	FHCS, 1/4-20 X 3/8", BLACK	4
53	HW-1052	SHCS, 3/8-16 X 1", BLACK	2
54	91255A533	BHCS, 10-32 X 1/4", BLACK	4
55	20GAPF-1008	KNURLED ROLLER SHAFT	1

DIMENSIONS ARE IN INCHES
TOLERANCES:
FRACTIONAL ± 1/16
ANGULAR: MACH ± BEND ±
TWO PLACE DECIMAL ±.01
THREE PLACE DECIMAL ±.005

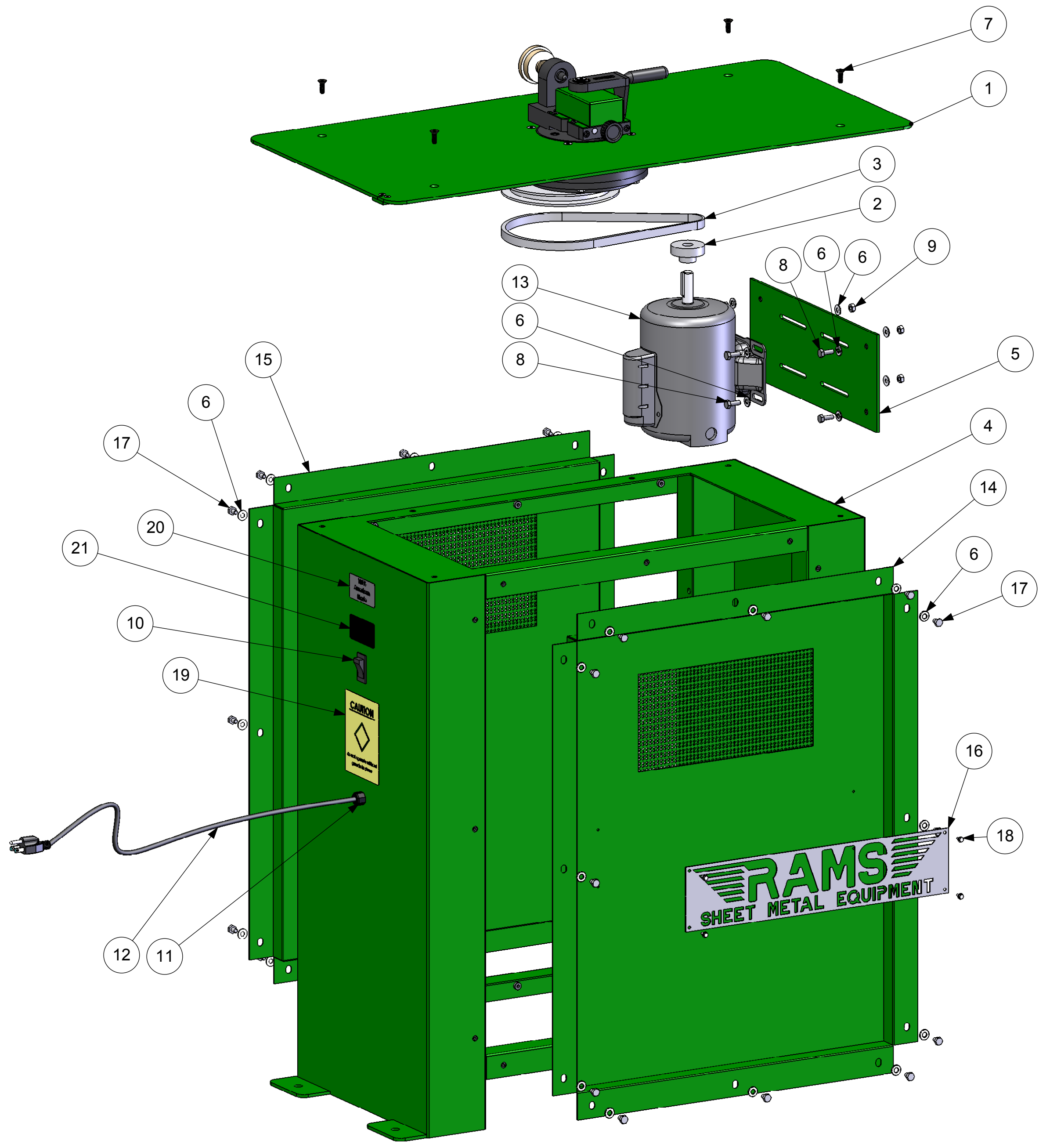
DRAWN	JAS	3/15/06
CHECKED	SSL	12/15/08
ENG APPR.		
MFG APPR.		
Q.A.		

HORIZON SYSTEMS MACHINING
9121 58TH PLACE
KENOSHA, WI 53144
PH: 262-605-1122
FAX: 262-605-1198

TITLE: 20 GA POWER FLANGER TOP ASSEMBLY		
SIZE	DWG. NO.	REV
C	RAMS-2007	E

DO NOT SCALE DRAWING SCALE: 1:4 2 OF 3

REVISIONS				
ZONE	REV.	DESCRIPTION	DATE	APPROVED
-	-	See Sheet1	-	-



RAMS 2007 20ga STAND ALONE POWER FLANGER

ITEM NO.	PART NUMBER	DESCRIPTION	QTY.
1	RAMS 2007	20 GA POWER FLANGER TOP ASSEMBLY	1
2	CPF-014	1 3/4" DIA PULLEY .625 BORE	1
3	CPF-015	V-BELT: 4L300	1
4	CPF-STAND	2007 CABINET, WELDED	1
5	CPF-013	MOTOR PLATE ASSY	1
6	HW-1009	WASHER, 1/4" FLAT, 5/8" O.D., ZINC	36
7	HW-1045	FHCS, 1/4-20 X 3/4", BLACK OXIDE	4
8	HW-1014	HHCS, 1/4-20 X 3/4", ZINC	8
9	HW-1054	NUT, HEX, 1/4-20	4
10	CPF-034	TIPPETTE SWITCH	1
11	CPF-035	CORD GRIP	1
12	CPF-036	POWER CORD	1
13	N/A	1/2 HP, 110V MOTOR	1
14	SL-1707	RIGHT SIDE REMOVABLE PANEL	1
15	SL-1708	LEFT SIDE REMOVABLE PANEL	1
16	PITT-22	RAMS LOGO SIGN	1
17	HW-1031	HHCS, 1/4-20 X 3/8", ZINC	24
18	HW-1027	HHCS, TYPE F THD CUTTING, 8-32 X 3/8"	4
19	Caution Label	LABEL, CAUTION	1
20	Made in the USA	LABEL, MADE IN USA	1
21	RAMS 2007	SERIAL No. TAG	1

DIMENSIONS ARE IN INCHES TOLERANCES: FRACTIONAL ± 1/16 ANGULAR: MACH ± BEND ± TWO PLACE DECIMAL ±.01 THREE PLACE DECIMAL ±.005		NAME: JAS DATE: 3/15/06 CHECKED: SSL DATE: 12/15/08 ENG APPR. MFG APPR. Q.A.	HORIZON SYSTEMS MACHINING 9121 58TH PLACE KENOSHA, WI 53144 PH: 262-605-1122 FAX: 262-605-1198
THE INFORMATION CONTAINED IN THIS DRAWING IS THE SOLE PROPERTY OF HORIZON SYSTEMS MACHINING. ANY REPRODUCTION IN PART OR AS A WHOLE WITHOUT THE WRITTEN PERMISSION OF HORIZON SYSTEMS MACHINING IS PROHIBITED.		MATERIAL: FINISH: DO NOT SCALE DRAWING	TITLE: 20GA STAND ALONE POWER FLANGER SIZE DWG. NO. REV C RAMS-2007 E SCALE: 1:5 SHEET 3 OF 3