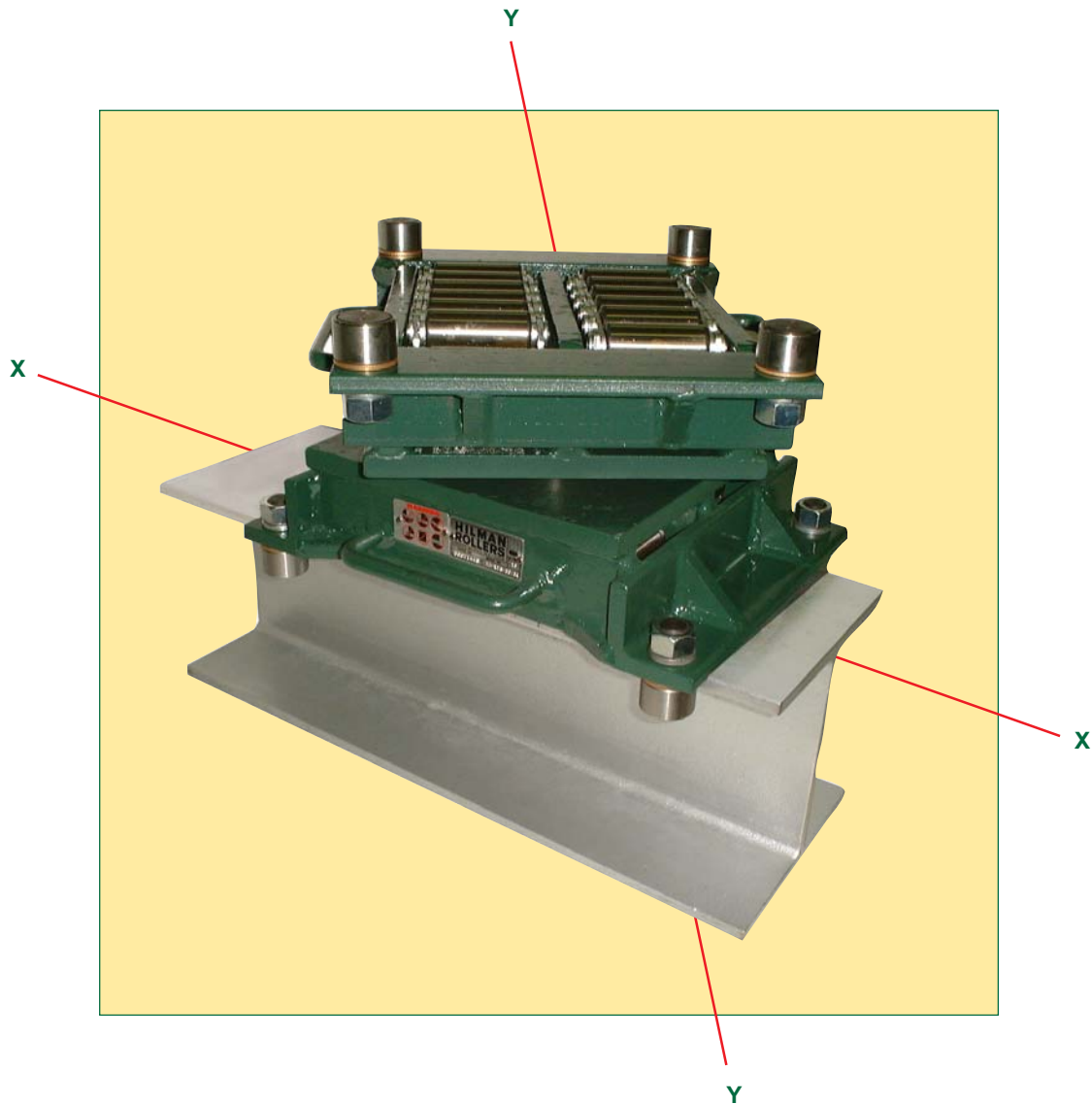


HILMAN

XYS Roller Series



- Versatile Capabilities
- Value Engineered
- Durable

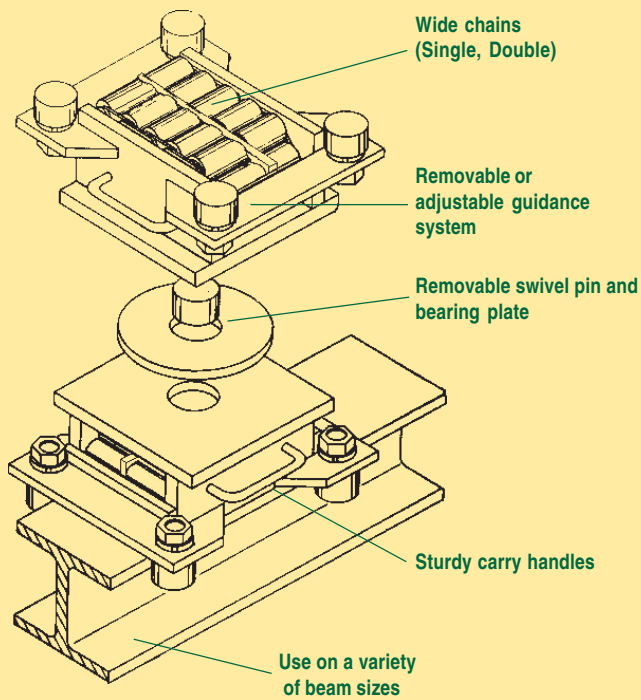
- Low Friction
- Low Height
- Hilman Quality



**HILMAN
ROLLERS**

www.hilmanrollers.com

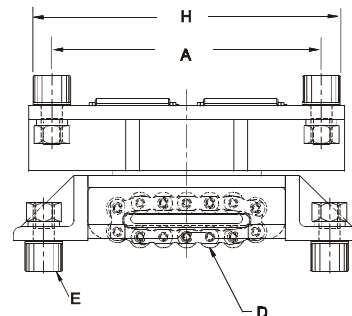
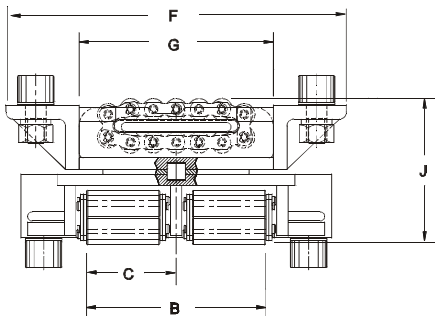
Multi-Directional Moving Made EASY!



Developed for the demanding professions of heavy structural moving, home setting and house moving, the new Hilman YYS Roller Series is a double roller system offering a choice of straight line swivel or XY movement.

The swivel plate and pin assembly connecting the two halves is completely removable, so each half can operate alone as a high capacity roller dolly. Both roller halves feature a removable Hilman AccuRoll guidance system which adjusts to fit a variety of beams or tracks.

When used together, the top roller half swivels while the bottom half rolls in the iYi plane. The iXYSi action provides for misalignment of beams, allows for some skewing of the iYi roller, and prevents the roller from binding while moving.



MODEL	CAP. (TONS)/ DOUBLE UNIT	# CONTACT ROLLS	CHAIN	IN/ MM									WT. (LBS/KGS)
				A	B	C	D (Dia.)	E (Dia.)	F	G	H	J	
5-XYS	5	5	Single	7.5	3.3	N/A	.93	1.5	13	8	9	6.75	62
				191	84	N/A	24	38	330	203	229	171	28
8-XYS	8	10	Double	9.5	6.38	2.43	.93	1.5	13	8	13	6.75	112
				241	162	62	24	38	330	203	330	171	51
15-XYS	15	10	Double	11.5	7.31	2.75	1.18	1.5	15.63	10.63	15.63	8	177
				292	186	70	10	38	397	270	397	203	81
30-XYS	30	10	Double	14.5	9.81	4	1.18	2	18.63	10.63	17	8	230
				368	249	102	30	51	473	270	432	203	10
50-XYS	50	10	Double	16.25	9.75	3.5	1.62	2.5	23	15	19.75	11.25	368
				413	248	89	41	64	584	381	502	286	167
100-XYS	100	10	Double	17	10	3.63	1.93	3	29	17	20.5	12.75	770
				432	254	92	49	76	737	432	521	324	349
200-XYS	200	14	Double	18.5	10.25	3.63	1.93	3.5	33	21	22.5	13.75	850
				470	260	92	49	89	838	533	572	349	386



**HILMAN
ROLLERS**

www.hilmanrollers.com

12 Timber Lane Marlboro, NJ 07746 USA
 Phone: 732-462-6277 Fax: 732-462-6355
 email: sales@hilmanrollers.com