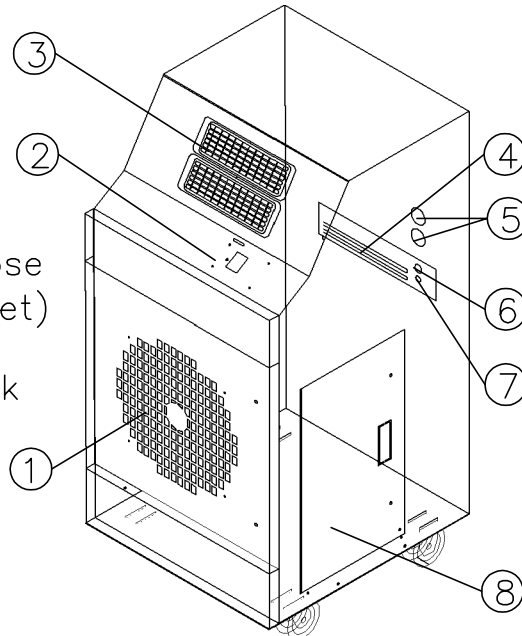


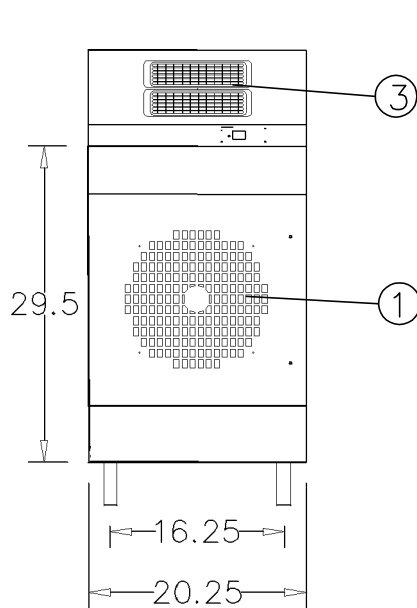
SWAC2411

Legend

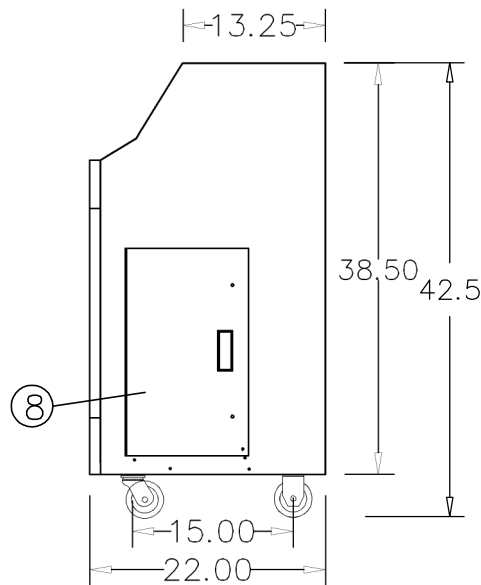
- 1 Return Air
- 2 Control Pad
- 3 Cold Air Supply
- 4 Power Cord
- 5 1/2" Female water Hose Connector (Inlet/Outlet)
- 6 Condensate Nipple
- 7 Condensate Alarm Jack
- 8 Access Door



Isometric View



Front View



Right View



ETL LISTED CONFORMS TO ANSI/UL
1995 CERTIFIED TO CAN/CSAA22.2 NO.235



1-800-KWIKOOL

Model SWAC2411 - 2 Ton

| COOLING CAPACITY | | |
|--------------------|-----------------------------------|----------------------------|
| | BTU/hr @ 95 F at 60%RH | 23,500 (2 TON) |
| COMPRESSOR DATA | | |
| | Compressor Type | HERMETIC RECIP. |
| | Operating Temperatures | 60-110 F .50%RH |
| | Non-CFC Refrigerant Charge (Lbs.) | 407C |
| FAN DATA | | |
| EVAPORATOR | | |
| | Fan Type (Centrifugal) | DIRECT DRIVE |
| | Air Flow (CFM) | 725/Single Speed |
| | Supply Air Data | ADJUSTABLE VENT |
| | Supply Air Chute Data (Optional) | 2-5" Dia. x 12" Length |
| | Motor HP | 1/4 |
| WATER FLOW DATA | | |
| | Flow Regulation Valve | AUTOMATIC |
| | Inlet Water 85F-95F Exit(GPM) | 6 |
| | Inlet Water 75F-95F Exit(GPM) | 3 |
| | Inlet Water 65F-95F Exit(GPM) | 2 |
| | Inlet Water 55F-95F Exit(GPM) | 1.5 |
| ELECTRICAL DATA | | |
| | Power Supply (Volts) | 115-Single Phase |
| | Current Consumption (Amps) | 17.1 |
| | Power Consumption (KW) | 1.65 |
| | Maximum Circuit Breaker (Amps) | 20 |
| | Minimum Circuit Ampacity (Amps) | 17.76 |
| | Min/Max Voltage | 105-125 |
| | Power Cord Gauge/Length | 12AWG/6 |
| | Plug Configuration | NEMA 5-20 |
| DIMENSIONAL DATA | | |
| Unitary Models | Width x Depth x Height (Inches) | 20.25X22X42.5 |
| | Weight (Lbs.) | 212 |
| | Shipping Weight (Lbs.) | 287 |
| SAFETY DEVICE DATA | | |
| | Compressor Overload | INTERNAL |
| | Fan Motor Overload | AUTOMATIC INTERNAL |
| | Evaporator Freeze-up | HOT GAS BYPASS |
| | High Pressure Switch | MANUAL |
| | Low Pressure Switch | AUTOMATIC |
| | Compressor Short Cycle | YES |
| | Automatic Restart | YES |
| | Thermostat | MICROPROCESSOR/ DIGITAL |
| | Condensate Pump w 20' Head Pres. | YES |
| | Condensate Pump Overflow | YES |
| | Condensate Tank Overflow | YES |



1-800-KWIKOOL