

ITEM NO.	QTY.	PART NUMBER	DESCRIPTION
1	1	STAND	STAND ASSEMBLY
2	1	RAM 2007	20 GA POWER FLANGER TOP ASSEMBLY
3	1	CPF-012	LEESEN MOTOR 1/2 HP
4	1	CPF-014	2-INCH PULLEY .625 BORE
5	1	CPF-015	V-BELT: 4L300
6	1	CPF-MOTOR PLATE	MOTOR MOUNTING PLATE ASSEMBLY
7	2	PITT-8	PERF SCREEN
8	4	CPF-016	FLAT SOCKET HEAD CAP SCREW: 1/4-20 X 3/4" LONG SOCKET HEAD CAP SCREW
9	12	CPF-018	1/4" FLAT WASHER
10	8	CPF-017	1/4-20 X 3/4" HEX HEAD BOLT
11	4	CPF-019	1/4-20 HEX NUT
12	1	PITT-23	REMOVABLE PANEL "C": 16 GA
13	1	PITT-24	REMOVABLE PANEL "POWER FLANGER": 16 GA
14	1	PITT-22	RAMS LOGO SIGN: 16 GA THK
15	4	CPF-029	8-18- 3/8" LONG SELF THREADING HEX HEAD
16	4	CPF-033	1/4-20x 3/8" FLAT SHCS
17	1	CPF-034	TIPPETTE SWITCH
18	1	CPF-035	CORD GRIP
19	1	CPF-036	POWER CORD

F

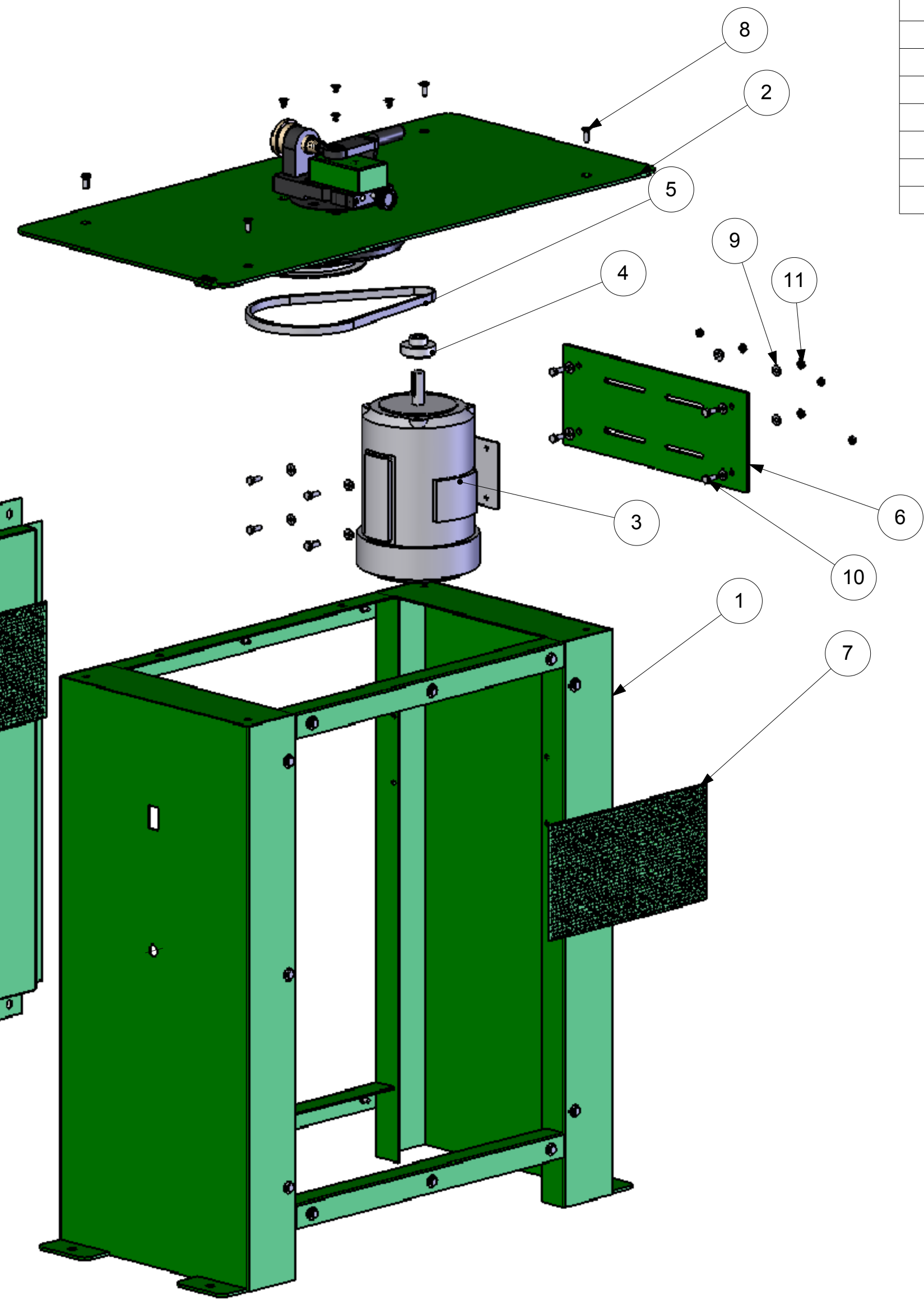
E

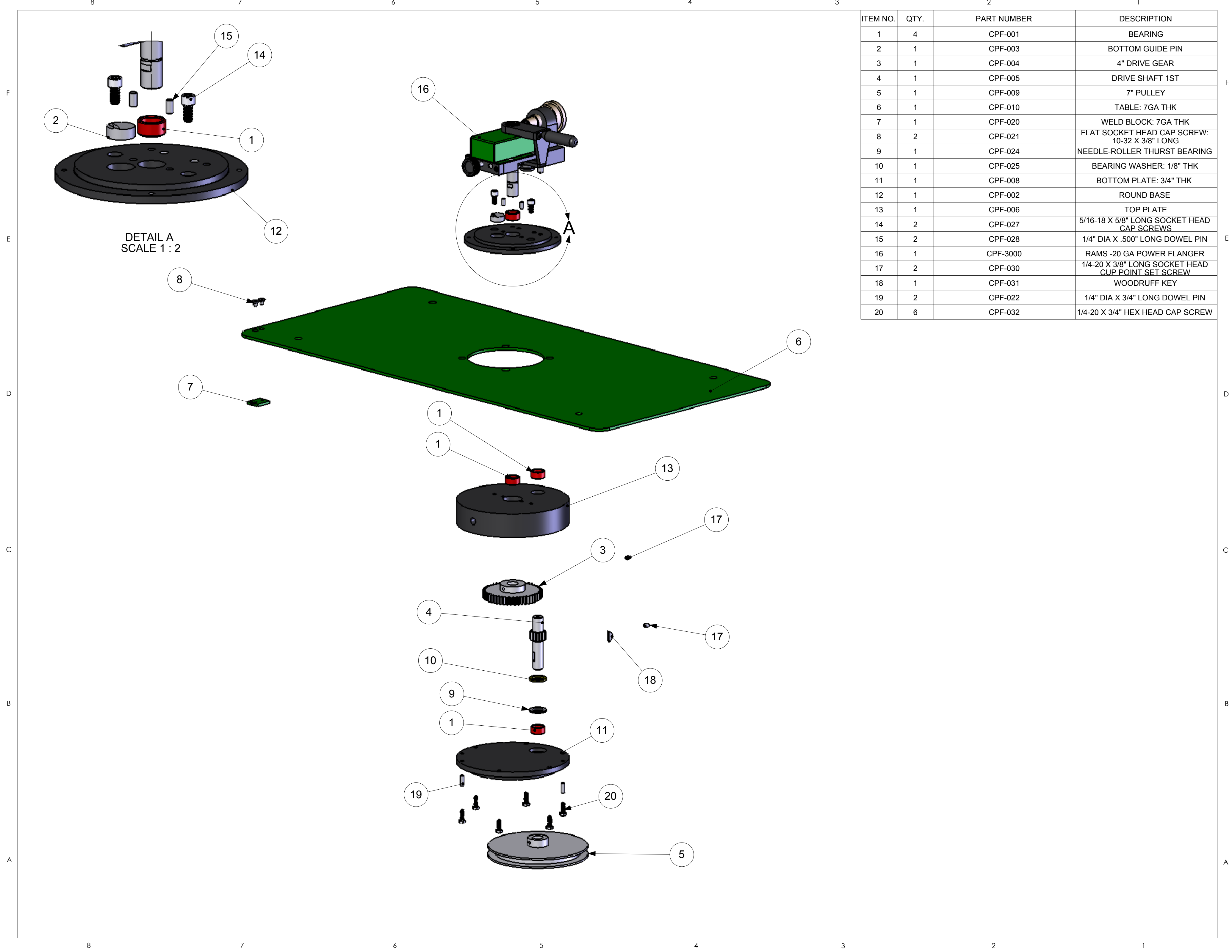
D

C

B

A





ITEM NO.	QTY.	PART NUMBER	DESCRIPTION
1	4	CPF-001	BEARING
2	1	CPF-003	BOTTOM GUIDE PIN
3	1	CPF-004	4" DRIVE GEAR
4	1	CPF-005	DRIVE SHAFT 1ST
5	1	CPF-009	7" PULLEY
6	1	CPF-010	TABLE: 7GA THK
7	1	CPF-020	WELD BLOCK: 7GA THK
8	2	CPF-021	FLAT SOCKET HEAD CAP SCREW: 10-32 X 3/8" LONG
9	1	CPF-024	NEEDLE-ROLLER THURST BEARING
10	1	CPF-025	BEARING WASHER: 1/8" THK
11	1	CPF-008	BOTTOM PLATE: 3/4" THK
12	1	CPF-002	ROUND BASE
13	1	CPF-006	TOP PLATE
14	2	CPF-027	5/16-18 X 5/8" LONG SOCKET HEAD CAP SCREWS
15	2	CPF-028	1/4" DIA X .500" LONG DOWEL PIN
16	1	CPF-3000	RAMS -20 GA POWER FLANGER
17	2	CPF-030	1/4-20 X 3/8" LONG SOCKET HEAD CUP POINT SET SCREW
18	1	CPF-031	WOODRUFF KEY
19	2	CPF-022	1/4" DIA X 3/4" LONG DOWEL PIN
20	6	CPF-032	1/4-20 X 3/4" HEX HEAD CAP SCREW