

POWERMATIC[®]

WMH | **TOOL GROUP**

Operating Instructions and Parts Manual **18-inch Variable Speed Drill Press** Model 2800



WMH TOOL GROUP

2420 Vantage Drive
Elgin, Illinois 60124
Ph.: 800-274-6848
www.wmhtoolgroup.com

Part No. M-1792800
Revision A 9/06
Copyright © WMH Tool Group

Warranty and Service

WMH Tool Group, Inc., warrants every product it sells. If one of our tools needs service or repair, one of our Authorized Service Centers located throughout the United States can give you quick service. In most cases, any of these WMH Tool Group Authorized Service Centers can authorize warranty repair, assist you in obtaining parts, or perform routine maintenance and major repair on your POWERMATIC® tools. For the name of an Authorized Service Center in your area call 1-800-274-6848.

MORE INFORMATION

WMH Tool Group is consistently adding new products to the line. For complete, up-to-date product information, check with your local WMH Tool Group distributor, or visit powermatic.com.

WARRANTY

POWERMATIC products carry a limited warranty which varies in duration based upon the product.

<p>Industrial Products</p> <p>1 YEAR WARRANTY</p> <p>One Year Standard, option available on select POWERMATIC machines</p> <p>2 YEAR WARRANTY</p> <p>Bandsaws Dust Collectors Jointers Boring Machines Dovetail Machines Planers Sanders</p> <p>Shapers Rip Saws Cut-off Saws Tablesaws Scoring Saws Panel Saws Accessories & Abrasives</p> <p>Brush Sanders Dovetail Machines Drill Presses Drum Sanders Panel Saws Power Feeders Commercial use of Non-Industrial Products</p>	<p>2 YEAR WARRANTY</p> <p>Industrial Products</p> <p>Two Year Option Available on select industrial machines with distributor installation. See your POWERMATIC Industrial Distributor for details.</p>	<p>5 YEAR WARRANTY</p> <p>Non-Industrial Products</p> <p>Visit our distributors or our website for more information.</p> <p><i>Warranty reverts to 1 Year if above products are used for commercial, industrial or educational purposes</i></p>
--	--	---

WHAT IS COVERED?

This warranty covers any defects in workmanship or materials subject to the exceptions stated below. Cutting tools, abrasives and other consumables are excluded from warranty coverage.

WHO IS COVERED?

This warranty covers only the initial purchaser of the product.

WHAT IS THE PERIOD OF COVERAGE?

The general POWERMATIC warranty lasts for the time period specified in the product literature of each product.

WHAT IS NOT COVERED?

The Five Year Warranty does not cover products used for commercial, industrial or educational purposes. Products with a Five Year Warranty that are used for commercial, industrial or education purposes revert to a One Year Warranty. This warranty does not cover defects due directly or indirectly to misuse, abuse, negligence or accidents, normal wear-and-tear, improper repair or alterations, or lack of maintenance.

HOW TO GET SERVICE

The product or part must be returned for examination, postage prepaid, to a location designated by us. For the name of the location nearest you, please call 1-800-274-6848.

You must provide proof of initial purchase date and an explanation of the complaint must accompany the merchandise. If our inspection discloses a defect, we will repair or replace the product, or refund the purchase price, at our option.

We will return the repaired product or replacement at our expense unless it is determined by us that there is no defect, or that the defect resulted from causes not within the scope of our warranty in which case we will, at your direction, dispose of or return the product. In the event you choose to have the product returned, you will be responsible for the handling and shipping costs of the return.

HOW STATE LAW APPLIES

This warranty gives you specific legal rights; you may also have other rights which vary from state to state.

LIMITATIONS ON THIS WARRANTY

WMH TOOL GROUP LIMITS ALL IMPLIED WARRANTIES TO THE PERIOD OF THE LIMITED WARRANTY FOR EACH PRODUCT. EXCEPT AS STATED HEREIN, ANY IMPLIED WARRANTIES OR MERCHANTABILITY AND FITNESS ARE EXCLUDED. SOME STATES DO NOT ALLOW LIMITATIONS ON HOW LONG THE IMPLIED WARRANTY LASTS, SO THE ABOVE LIMITATION MAY NOT APPLY TO YOU.

WMH TOOL GROUP SHALL IN NO EVENT BE LIABLE FOR DEATH, INJURIES TO PERSONS OR PROPERTY, OR FOR INCIDENTAL, CONTINGENT, SPECIAL, OR CONSEQUENTIAL DAMAGES ARISING FROM THE USE OF OUR PRODUCTS. SOME STATES DO NOT ALLOW THE EXCLUSION OR LIMITATION OF INCIDENTAL OR CONSEQUENTIAL DAMAGES, SO THE ABOVE LIMITATION OR EXCLUSION MAY NOT APPLY TO YOU.

WMH Tool Group sells through distributors only. The specifications in WMH catalogs are given as general information and are not binding. Members of WMH Tool Group reserve the right to effect at any time, without prior notice, those alterations to parts, fittings, and accessory equipment which they may deem necessary for any reason whatsoever.

Table of Contents

Warranty and Service	2
Table of Contents	3
Warning.....	4
Introduction.....	6
Specifications	6
Unpacking	7
Contents of the Shipping Container	7
Assembly.....	8
Column	8
Table Bracket.....	8
Head Assembly.....	9
Installing the Fence	9
Installing Arbor and Chuck.....	10
Chuck and Arbor Removal.....	10
Grounding Instructions.....	10
Extension Cords.....	12
Adjustments.....	12
Table Movement	12
Changing Spindle Speeds	13
Depth Stop.....	13
Return Spring.....	13
On/Off Switch.....	14
Operation.....	14
Installing the Bit.....	14
Positioning the Workpiece	14
General Inspection	14
Setting Rotation Speed.....	14
Optional Accessory	16
Replacement Parts	16
Model 2800 Drill Press	17
Parts List: Model 2800 Drill Press	18
Electrical Connections	22
Electrical Connections	23



Warnings

1. Read and understand the entire owners manual before attempting assembly or operation.
2. Read and understand the warnings posted on the machine and in this manual. Failure to comply with all of these warnings may cause serious injury.
3. Replace the warning labels if they become obscured or removed.
4. This drill press is designed and intended for use by properly trained and experienced personnel only. If you are not familiar with the proper and safe operation of a drill press, do not use until proper training and knowledge have been obtained.
5. Do not use this drill press for other than its intended use. If used for other purposes, WMH Tool Group disclaims any real or implied warranty and holds itself harmless from any injury that may result from that use.
6. Always wear approved safety glasses/face shields while using this drill press. Everyday eyeglasses only have impact resistant lenses; they are not safety glasses.
7. Before operating this drill press, remove tie, rings, watches and other jewelry, and roll sleeves up past the elbows. Remove all loose clothing and confine long hair. Non-slip footwear or anti-skid floor strips are recommended. Do **not** wear gloves.
8. Wear ear protectors (plugs or muffs) during extended periods of operation.
9. Some dust created by power sanding, sawing, grinding, drilling and other construction activities contains chemicals known to cause cancer, birth defects or other reproductive harm. Some examples of these chemicals are:
 - Lead from lead based paint.
 - Crystalline silica from bricks, cement and other masonry products.
 - Arsenic and chromium from chemically treated lumber.Your risk of exposure varies, depending on how often you do this type of work. To reduce your exposure to these chemicals, work in a well-ventilated area and work with approved safety equipment, such as face or dust masks that are specifically designed to filter out microscopic particles.
10. Do not operate this machine while tired or under the influence of drugs, alcohol or any medication.
11. Make certain the switch is in the **OFF** position before connecting the machine to the power supply.
12. Make certain the machine is properly grounded.
13. Make all machine adjustments or maintenance with the machine unplugged from the power source.
14. Remove adjusting keys and wrenches. Form a habit of checking to see that keys and adjusting wrenches are removed from the machine before turning it on.
15. Keep safety guards in place at all times when the machine is in use. If removed for maintenance purposes, use extreme caution and replace the guards immediately.
16. Check damaged parts. Before further use of the machine, a guard or other part that is damaged should be carefully checked to determine that it will operate properly and perform its intended function. Check for alignment of moving parts, binding of moving parts, breakage of parts, mounting and any other conditions that may affect its operation. A guard or other part that is damaged should be properly repaired or replaced.
17. Provide for adequate space surrounding work area and non-glare, overhead lighting.
18. Keep the floor around the machine clean and free of scrap material, oil and grease.
19. Keep visitors a safe distance from the work area. **Keep children away.**
20. Make your workshop child proof with padlocks, master switches or by removing starter keys.

Warnings

21. Give your work undivided attention. Looking around, carrying on a conversation and “horse-play” are careless acts that can result in serious injury.
22. Maintain a balanced stance at all times so that you do not fall or lean against the drill bit or other moving parts. Do not overreach or use excessive force to perform any machine operation.
23. Use the right tool at the correct speed and feed rate. Do not force a tool or attachment to do a job for which it was not designed. The right tool will do the job better and safer.
24. Use recommended accessories; improper accessories may be hazardous.
25. Maintain tools with care. Keep bits sharp and clean for the best and safest performance. Follow instructions for lubricating and changing accessories.
26. Whenever possible, use the fence. Also use jigs or fixtures where needed to secure the workpiece. A drill bit can seize up, causing the workpiece to rotate with the spindle and can cause injury.
27. Turn off the machine and disconnect from power before cleaning. Use a brush or compressed air to remove chips or debris — do not use your hands.
28. Do not stand on the machine. Serious injury could occur if the machine tips over.
29. Never leave the machine running unattended. Turn the power off and do not leave the machine until it comes to a complete stop.
30. Remove loose items and unnecessary work pieces from the area before starting the machine.

Familiarize yourself with the following safety notices used in this manual:

CAUTION This means that if precautions are not heeded, it may result in minor injury and/or possible machine damage.

WARNING This means that if precautions are not heeded, it may result in serious injury or possibly even death.

- - SAVE THESE INSTRUCTIONS - -

Introduction

This manual is provided by WMH Tool Group covering the safe operation and maintenance procedures for a Powermatic Model 2800 Drill Press. This manual contains instructions on installation, safety precautions, general operating procedures, maintenance instructions and parts breakdown. This machine has been designed and constructed to provide years of trouble free operation if used in accordance with instructions set forth in this manual. If there are any questions or comments, please contact either your local supplier or WMH Tool Group. WMH Tool Group can also be reached at our web site: www.wmhtoolgroup.com.

Specifications

Model Number	2800
Stock Number.....	1792800
Swing (in.)	18
Maximum Drilling Capacity (in.).....	5/8
Chuck Size (in.)	5/8
Spindle Travel (in.).....	4-3/8
Chuck Distance to Table (in.).....	30
Chuck Distance to Base (in.).....	46
Table Size (LxW)(in.)	16 x 14
Table Size Fully Extended (LxW)(in.)	16 x 26
Spindle Taper	MT2 x JT3
Column Diameter (in.).....	3-1/8
Range of Spindle Speed (RPM)	400 to 3000
Base Size (in.)	11-7/8 x 19-5/8
Motor	TEFC, 1HP, 115/230V (pre-wired 115V)
Overall Dimension (HxWxD)(in.)	68-1/2 x 20 x 31-1/2
Approximate Net Weight (lbs.)	209

The above specifications were current at the time this manual was published, but because of our policy of continuous improvement, WMH Tool Group reserves the right to change specifications at any time and without prior notice, without incurring obligations.

Unpacking

Open shipping container and check for shipping damage. Report any damage immediately to your distributor and shipping agent. Do not discard any shipping material until the Drill Press is assembled and running properly.

Compare the contents of your container with the following parts list to make sure all parts are intact. Missing parts, if any, should be reported to your distributor. Read the instruction manual thoroughly for assembly, maintenance and safety instructions.

Contents of the Shipping Container

- 1 Column Assembly with Rack and Ring
- 1 Head Assembly
- 1 Base
- 1 Table Bracket and Table

The smaller accessories are shown in Figure 1:

- 3 Downfeed Handles (A)
- 1 Chuck (B)
- 1 Drift Key (C)
- 1 Arbor (D)
- 1 Shift Knob (E)
- 1 Locking Handle (F)
- 2 Lock Knobs (G)
- 2 T-Nuts (G)
- 2 Flat Washers (G)
- 2 Socket Head Cap Screws, M6x12 (G)
- 2 Hex Nuts, M6 (G)
- 1 Worm (H)
- 1 Large Handle (I)
- 4 Hex Cap Screws, M10x40 (J)
- 3 Hex Wrenches, 3,5 and 6mm (K)
- 1 Dust Port (L)
- 1 Fence Assembly (M)
- 1 Owner's Manual (not shown)
- 1 Warranty Card (not shown)

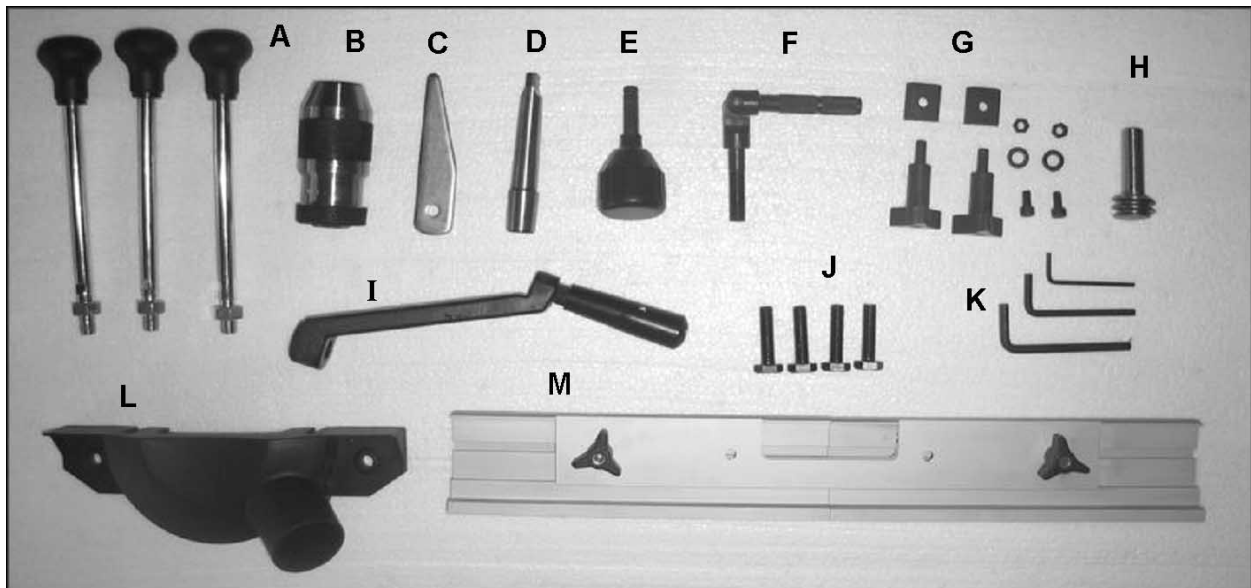


Figure 1

⚠️WARNING

Read and understand the entire contents of this manual before attempting set-up or operation! Failure to comply may cause serious injury.

Assembly

Tools required for assembly:

Cross-point (Phillips) screwdriver
Rubber mallet
Wrenches – 17, 18 and 24 mm
Set of hex (Allen) wrenches

Exposed metal surfaces on the drill press have been factory-coated with a protectant. Remove this with a soft rag moistened with kerosene or a light solvent. Do not use an abrasive pad and do not use gasoline, paint thinner or acetone, as these will damage plastic components and painted surfaces.

The drill press should be placed in a dry area with a level floor and good lighting. Provide enough space around the drill press to allow for operations and any adjustments or servicing.

CAUTION Assembly is a two person operation to avoid injury from accidental dropping.

Column

1. Place the base (Figure 2) upon a level floor. It may be secured to the floor with lag screws (not provided) through the four holes in the base.
2. If you do not wish to permanently secure the drill press to the floor, it should be bolted to a plywood panel which will serve as its base. Use a high grade of plywood at least 3/4" thick. It should be large enough to prevent vibration, sliding or moving of the drill press during operation. Do not use a mobile base with this machine.
3. Attach the column assembly (Figure 2) to the base with four M10x40 hex cap screws.

Table Bracket

1. Remove the ring from the column by loosening the set screw and sliding the ring off. Also remove the rack. See Figure 3.
2. Set the table bracket (attached to the table) over the column while sliding the rack down through the slot in the table bracket and against the column (Figure 3). The lower end of the rack should rest in the lip of the holder, as shown in Figure 5. Make sure the rack is oriented properly; the *long* flat section should be toward the top and the *short* flat section toward the bottom. (The arrow inscribed on the rack should point upward, as shown in Figure 3.)

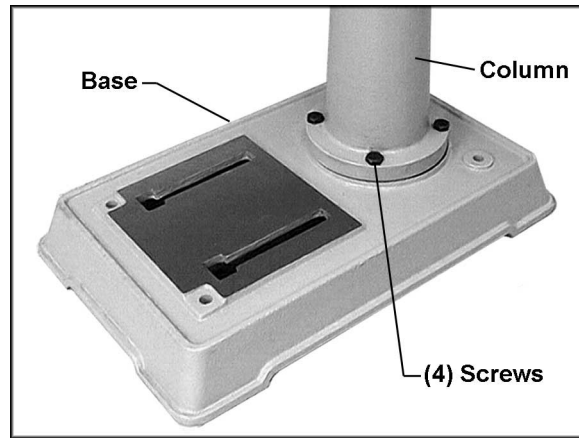


Figure 2

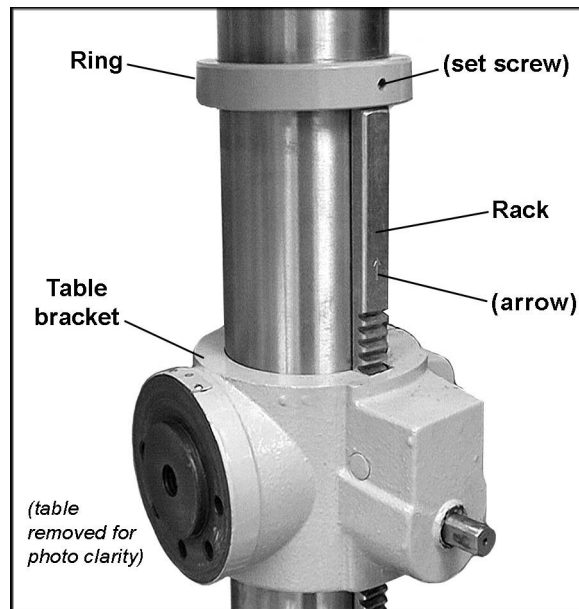


Figure 3

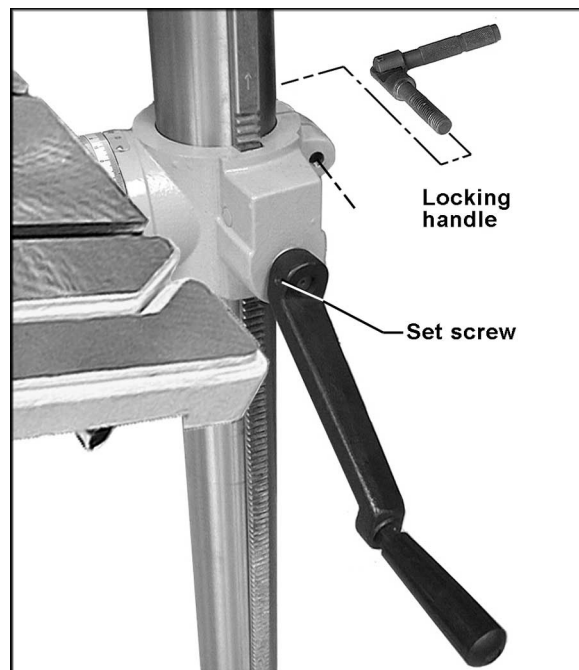


Figure 4

- Slide the large handle onto the spindle of the table bracket (Figure 4), and tighten the set screw in the handle with a 3mm hex wrench. Crank the handle counterclockwise to lower the table bracket down the column.
- Place the ring onto the column and slide it down over the top edge of the rack (see Figure 3). Tighten the set screw on the ring.
- Screw the locking handle into the table bracket (Figure 4) and tighten the locking handle to secure the table bracket's position on the column.



Figure 5

Head Assembly

- With the help of an assistant, mount the head assembly to the column, and tighten the two set screws with a 5mm hex wrench. See Figure 6.
- Screw the three downfeed handles (Figure 6) into the threaded holes in the hub. These can be mounted to either side of the head for your convenience. Tighten the hex nuts against the hub.
- Insert the shift knob into the collar on the side by screwing it in clockwise (Figure 7).

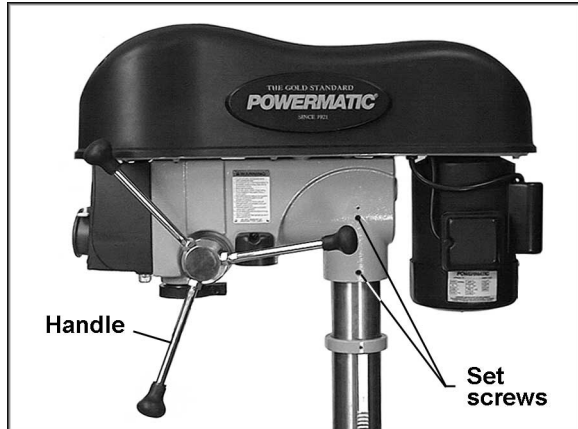


Figure 6

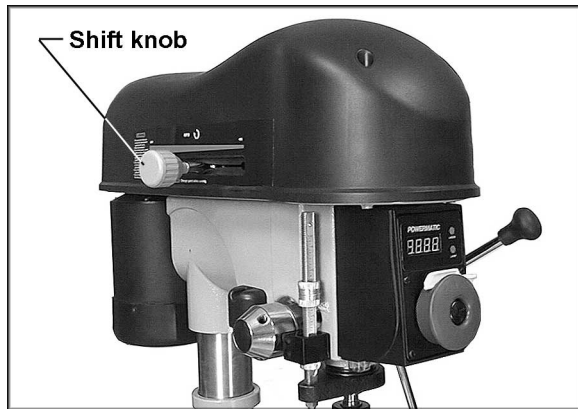


Figure 7

Installing the Fence

Slide the fence assembly into the T-slots on the table. The fence assembly is secured by tightening the knobs (A, Figure 8). The fence can be expanded by loosening the smaller knobs (B, Figure 8) and sliding the fence halves outward. Tighten all four knobs on the fence assembly before operating the drill press.

A dust chute (2" diameter) is mounted to the fence assembly for attaching a dust collection system. The fence halves must be in the expanded position to provide an opening for dust exhaust.

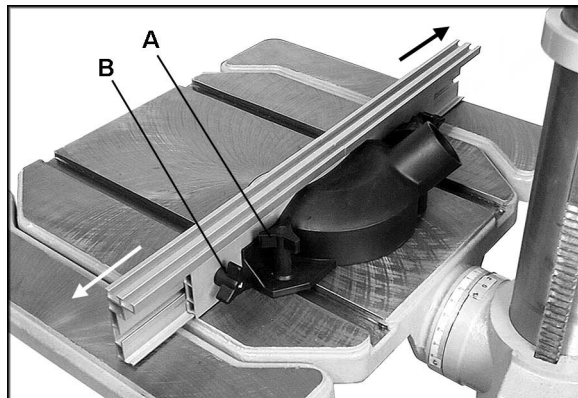


Figure 8

Installing Arbor and Chuck

1. Disconnect machine from power source.
2. Thoroughly clean the entire arbor and the inside of the chuck (Figure 9) with a soft rag and solvent such as mineral spirits. Any grease or residue in these areas can cause the pieces to separate and create a safety hazard as well as damage to the tool.
3. Slide arbor up into the spindle.
4. Firmly push the chuck by hand onto the taper of the arbor.
5. Make sure the jaws of the chuck are opened all the way until they are inside the chuck body. Use a single tap from a rubber mallet, or a hammer and a block of wood, against the bottom of the chuck to seat the chuck securely onto the arbor.

CAUTION Do not use a steel hammer directly against the chuck, as this may damage the chuck.

Chuck and Arbor Removal

1. Disconnect machine from power source.
2. Lower the quill assembly with the downfeed handles to expose the slot (Figure 10).
3. Insert the drift key into the slot.
4. Tap the drift key into the slot until the chuck and arbor fall out. **NOTE:** Hold onto the chuck to prevent it being damaged as it falls.

Grounding Instructions

WARNING Electrical connections must be made by a qualified electrician in compliance with all relevant codes. This machine must be properly grounded to help prevent electrical shock and possible fatal injury.

In the event of a malfunction or breakdown, grounding provides a path of least resistance for electric current to reduce the risk of electric shock. This machine is equipped with an electric cord having an equipment-grounding conductor and a grounding plug. The plug must be plugged into a matching outlet that is properly installed and grounded in accordance with all local codes and ordinances. Do not modify the plug provided – if it will not fit the outlet, have the proper outlet installed by a qualified electrician.

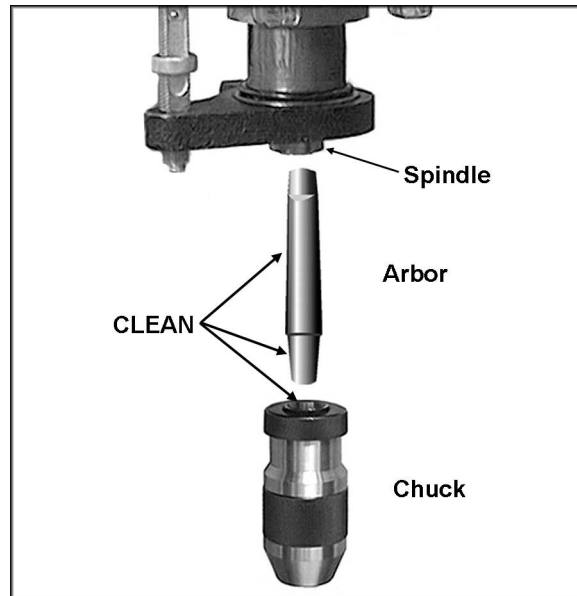


Figure 9

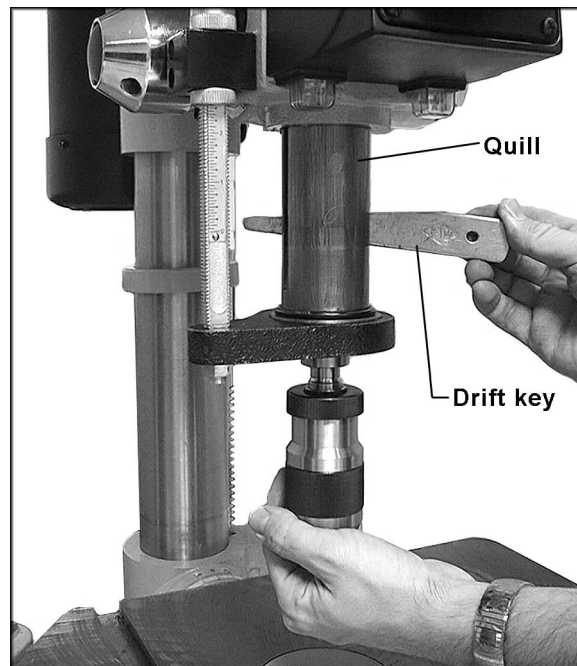


Figure 10

Improper connection of the equipment-grounding conductor can result in a risk of electric shock. The conductor with insulation having an outer surface that is green with or without yellow stripes is the equipment-grounding connector.

If repair or replacement of the electric cord or plug is necessary, do not connect the equipment-grounding conductor to a live terminal.

Check with a qualified electrician or service personnel if the grounding instructions are not completely understood, or if in doubt as to whether the tool is properly grounded.

Use only 3-wire extension cords that have 3-prong grounding plugs and 3-pole receptacles that accept the machine's plug.

Repair or replace damaged or worn cord immediately.

115 Volt Operation

As received from the factory, your drill press is ready to operate at 115-volt operation. This drill press, when wired for 115 volt, is intended for use on a circuit that has an outlet that looks like the one illustrated in Figure 11. The tool has a grounding plug that looks like the plug illustrated in Figure 11.

A temporary adapter, similar to the one in Figure 12, may be used to connect this plug to a 2-pole receptacle if a properly grounded outlet is not available. The temporary adapter should only be used until a properly grounded outlet can be installed by a qualified electrician. **This adapter is not applicable in Canada.**

The green-colored rigid ear, lug, and the like, extending from the adapter must be connected to a permanent ground such as a properly grounded outlet box.

230 Volt Operation

If 230V, single phase operation is desired, the following instructions must be performed:

1. Disconnect the machine from the power source.
2. The drill press motor has four leads that are factory connected for 115V operation. For 230V operation, re-connect the leads as shown in the diagrams on pages 22 and 23.
3. The 115V attachment plug supplied with the drill press must be replaced with a UL/CSA listed plug suitable for 230V operation, similar to the plug illustrated in Figure 13. Contact your local Authorized Powermatic Service Center or qualified electrician for proper procedures to install the plug.

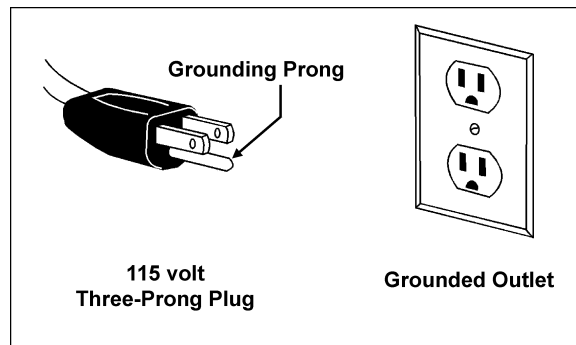


Figure 11

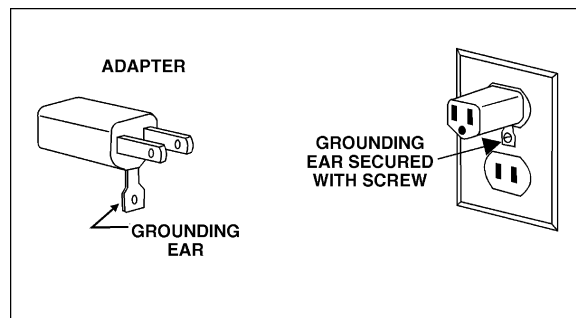


Figure 12

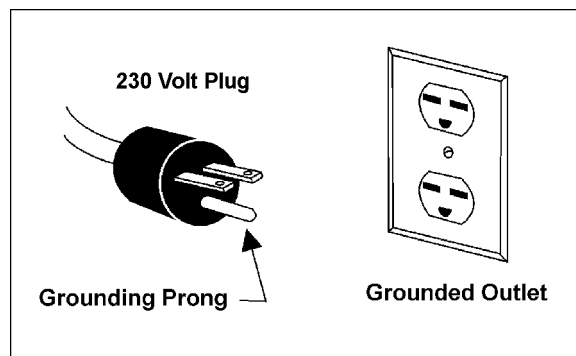


Figure 13

- The drill press must comply with all local and national codes after the 230 volt plug is installed.
- The drill press with a 230-volt plug should only be connected to an outlet having the same configuration as shown in Figure 13. No adapter is available or should be used with the 230-volt plug.

Extension Cords

If an extension cord is necessary, make sure the cord rating is suitable for the amperage listed on the machine's motor plate. An undersize cord will cause a drop in line voltage resulting in loss of power and overheating.

The chart in Figure 14 shows the correct size cord to use based on cord length and motor plate amp rating. If in doubt, use the next heavier gauge. The smaller the gauge number, the heavier the cord.

Recommended Gauges (AWG) of Extension Cords

Amps	Extension Cord Length *					
	25 feet	50 feet	75 feet	100 feet	150 feet	200 feet
< 5	16	16	16	14	12	12
5 to 8	16	16	14	12	10	NR
8 to 12	14	14	12	10	NR	NR
12 to 15	12	12	10	10	NR	NR
15 to 20	10	10	10	NR	NR	NR
21 to 30	10	NR	NR	NR	NR	NR

*based on limiting the line voltage drop to 5V at 150% of the rated amperes.

NR: Not Recommended.

Figure 14

Adjustments

Table Movement

To raise or lower the table:

Loosen the column locking handle (see Figure 4). Turn large handle to raise or lower the table along the column rack. Re-tighten the column locking handle before attempting to drill.

To swing table around the column:

When drilling into a long workpiece, swing the table out of the way and use the drill press base as your table. Slots in the base can be used to mount work holding devices.

- Loosen the column locking handle (see Figure 4).
- Swing table to desired position. If the rack tends to bind, you will need to nudge the top or bottom end of the rack around the column while swinging the table.
- Tighten the column locking handle.

To tilt table:

- To tilt the table, loosen the bolt (A, Figure 15) slightly and pull out on the indicator pin (B, Figure 16). The indicator pin will engage at 0, 45 and 90 degree positions of the table.
- Pivot the table to desired angle by aligning the scale (in degrees) on the table to the line on the table bracket (Figure 16).
- Re-tighten bolt (A, Figure 15).

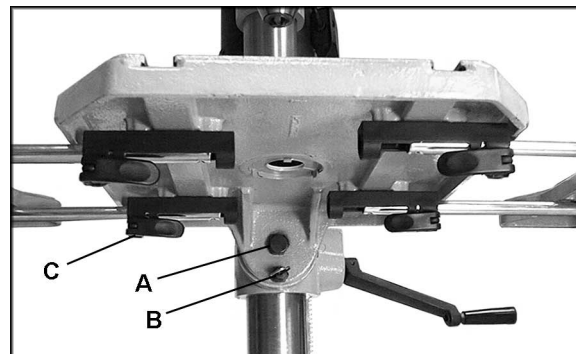


Figure 15

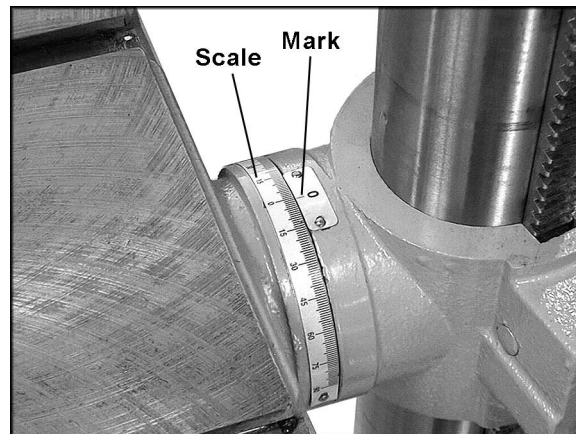


Figure 16

Table Extensions

Loosen the handles (C, Figure 15) and slide the extensions outward, then re-tighten the handles.

Changing Spindle Speeds

CAUTION Change speeds only while the drill press is running.

With the drill press running, rotate the shift knob (Figure 17) slightly counterclockwise to loosen it, then push the handle left or right until the desired speed is displayed on the LED readout at the front of the head. Tighten the shift knob clockwise to secure the setting.

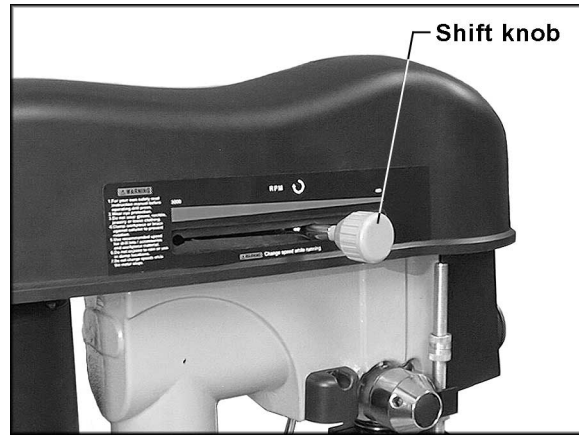


Figure 17

Depth Stop

The depth stop is useful for repetitive drilling of holes of the same depth.

1. Measure the distance from the tip of the drill bit to the workpiece. Add to this the desired depth of the hole in the workpiece.
2. Rotate the bottom nut (A, Figure 18) to this measurement on the accompanying scale.
3. Bring the top nut (B, Figure 18) flush with the bottom nut. This will prevent any movement of the bottom nut as it contacts the seat (C, Figure 18).

Alternatively, for less precise drilling, you can lower the bit to the desired depth, as shown in Figure 18, and tighten both nuts (A and B) against the seat (C).

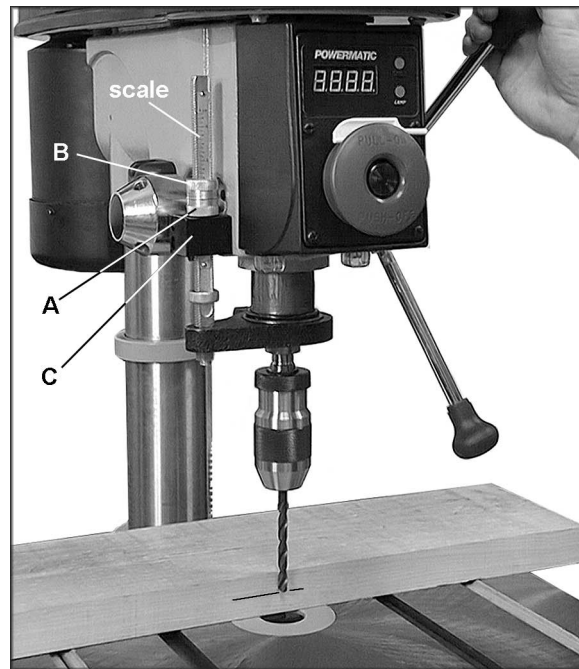


Figure 18

Return Spring

The tension of the return spring (which raises the spindle after drilling) has been pre-set at the factory. No further adjustment should be attempted unless absolutely necessary. Should it become necessary, proceed as follows:

1. Disconnect machine from power source.
2. Pry off the cap (A, Figure 19) and remove the hex nut and two washers (B). Pull off the hub (C).
3. Loosen the two inner hex nuts (D) *Do not remove*.
4. Pull out slightly the coil spring cover (E, Figure 19) while firmly holding it. **DO NOT allow the coil spring cover to turn freely in your hand, or the spring will unwind.**
5. Rotate the coil spring cover until the tab (F) on the spring retainer engages the next notch in the coil spring cover. Rotate the coil spring cover counterclockwise to increase spring tension, clockwise to decrease.

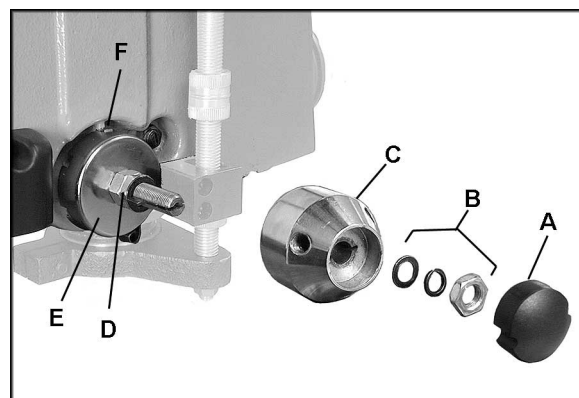


Figure 19

6. Make sure the coil spring cover is pushed back in, then tighten the two hex nuts (D). Do not over tighten. The hex nuts should be tightened against each other.
7. Re-install hub, washers, hex nut and cap.

On/Off Switch

Pull out the switch to start the drill press, push to stop.

The switch has a safety feature that prevents unauthorized or accidental starting of the drill press. With the switch in the "off" position, slide out the switch lock (Figure 20). This piece must be re-inserted before the drill press can operate.

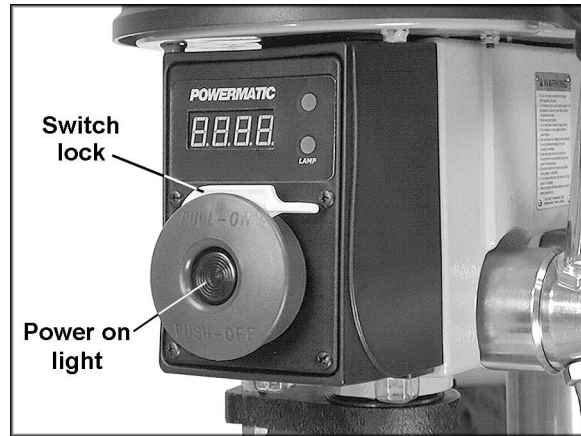


Figure 20

Operation

Installing the Bit

Insert the bit (not provided) into the chuck jaws with about 1" insertion. When using a small bit, do not insert it so far that the jaws touch the flutes of the bit. Make sure the bit is centered in the chuck before tightening the chuck. The chuck is a keyless model; simply rotate it by hand to tighten the bit.

Positioning the Workpiece

▲WARNING Whenever possible, use clamps or work hold-downs to secure the workpiece to the table.

Always secure the workpiece to prevent it being torn from the operator's hand. Using the column as a work stop is not recommended; instead, use holding devices such as clamps. When using the table in tilted position, make sure the table is securely tightened and the workpiece is clamped sufficiently.

For clean, splinter-free holes, place a piece of scrap wood on the table below the workpiece.

Perform operations with a minimum extension of the quill. Adjust table position rather than using excessive quill travel.

Feed the bit into the material with only enough force to allow the bit to work. Feeding too slowly may cause burning of the workpiece. Feeding too quickly may cause the motor to stop and/or the bit to break.

General Inspection

Before each operation of your Model 2800 drill press, make a habit of checking that all locking handles, set screws, bolts, etc., are tight on the table and head. Confirm that the drill bit is securely inserted inside the jaws.

Clear all items, such as tools and rags, away from the machine.

Before attempting regular work, get the feel of the drill press by practicing on scrap material. For best results, always use sharp bits and proper feed rates.

Setting Rotation Speed

There are several factors which determine the best speed to use in any drill press operation, such as kind of material being worked, size of hole, type of drill, and quality of cut desired.

A general rule of thumb is, the smaller the drill, the greater the required RPMs. And the speed should be faster for soft materials and slower for harder materials.

Maintenance

▲WARNING Before doing maintenance on the machine, disconnect it from the electrical supply by pulling out the plug or switching off the main switch! Failure to comply may cause serious injury.

After each use, clean sawdust from the table with a brush (do not use your hands).

Occasionally apply a light film of oil to the quill and column. This will reduce wear, prevent rust and assure ease of operation.

Apply grease to the rack on the column.

Check that bolts are tight and electrical cords are in good condition. Belts should be in good condition and tensioned properly. Occasional dressing of the belts with spray can type belt dressing or paraffin wax will promote longer belt life and quieter operation.

Bearings on the drill press are self-contained and permanently lubricated; no further lubrication is needed.

Exposed metal surfaces of the table and base should be kept clean and free of rust. Apply a good quality paste wax. Avoid any wax that contains silicone or other synthetic ingredients. These materials can find their way into lumber and can make staining and finishing difficult.

The quill return spring should receive SAE 20 oil once yearly. Apply the oil beneath the coil spring cover (E, Figure 19) using a squirt can.

Troubleshooting

Trouble	Probable Cause	Remedy
Drill press will not start.	Not connected to power.	Check all plug connections.
	Fuse blown, or circuit breaker tripped.	Replace fuse, or reset circuit breaker.
	Cord damaged.	Replace cord.
Drill press does not come up to speed.	Extension cord too light or too long.	Replace with adequate size and length cord.
	Low current.	Contact a qualified electrician.
Excessive vibration.	Improper belt tension.	Adjust belt tension.
	Uneven belt wear (hard spots).	Replace belt.
	Motor or spindle pulley out of balance.	Balance or repair problem pulley.
	Motor malfunction.	Have motor tested by a qualified service center. Repair or replace as necessary.
Motor stalls.	Overfeeding the bit.	Reduce feed rate.
	Dull bit.	Sharpen or replace bit.
	Motor not reaching running speed.	Repair or replace motor.
	Motor is malfunctioning.	Have motor tested by a qualified service center. Repair or replace as necessary.
Noisy Operation.	Excessive vibration.	See "Excessive Vibration" above.
	Incorrect belt tension.	Adjust belt tension.
	Dry spindle.	Lubricate spindle.
	Loose pulleys.	Make any needed corrections.
	Noisy motor.	Check motor bearings or for loose motor fan.
Wood splinters on the underside.	No backing board used.	Place a scrap board beneath the workpiece to prevent splintering.

Trouble	Probable Cause	Remedy
Drill or tool heats up or burns workpiece.	Excessive speed.	Reduce speed.
	Chips not clearing from hole or bit.	Retract drill bit frequently to remove chips.
	Dull drill bit.	Resharpen, or replace drill bit.
	Feeding the bit too slowly.	Increase feed rate.
	Rotation of bit incorrect.	Reverse motor rotation (refer to diagrams on pages 23 and 24).
Drill bit wanders.	Bit sharpened incorrectly.	Resharpen bit correctly.
	Bent drill bit.	Replace bit.
	Bit or chuck not installed properly.	Reinstall the chuck, or bit properly.
Drill bit binds in workpiece.	Workpiece pinching the bit.	Support or clamp workpiece.
	Excessive feed rate.	Decrease feed rate.
	Chuck jaws not tight.	Tighten chuck jaws.
	Improper belt tension.	Adjust belt tension.

Optional Accessory

708587 Mortise Attachment

Replacement Parts

Replacement parts are listed on the following pages. To order parts or reach our service department, call 1-800-274-6848 between 7:30 a.m. and 6:00 p.m. (CST), Monday through Friday. Having the Model Number and Serial Number of your machine available when you call will allow us to serve you quickly and accurately.

Parts List: Model 2800 Drill Press

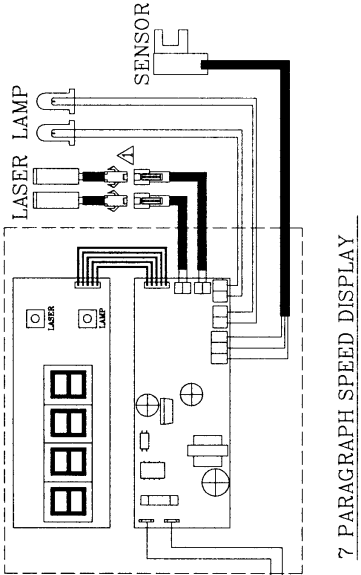
Index No.	Part No.	Description	Size	Qty
1	PM2800-001	Strain Relief		2
2	TS-1482051	Hex Cap Screw	M6x25	4
3	PM2800-003	Retaining Plate		1
4	TS-1490031	Hex Cap Screw	M8x20	4
5	TS-1550061	Flat Washer	M8	4
6	TS-1533052	Pan Head Screw	M5x16	2
7	PM2800-007	Cord Clamp		2
8	TS-1534052	Pan Head Screw	M6x16	2
9	PM2800-009	Lower Pulley Cover		1
10	TS-0680021	Flat Washer	1/4	4
11	PM2800-011	Strain Relief		1
12	TS-1503041	Socket Head Cap Screw	M6x16	1
13	PM2800-013	Motor	1HP, 115/230V	1
14	TS-1503031	Socket Head Cap Screw	M6x12	1
15	TS-0680021	Flat Washer	1/4	1
16	PM2800-016	Spring Cap		1
17	PM2800-017	Variable Speed Belt	17x5x776	1
18	PM2800-018	Pulley		2
19	PM2800-019	Compression Spring		2
20	PM2800-020	Shaft Sleeve		1
21	PM2800-021	Key	5x5x35	2
22	PM2800-022	C-Ring	A-30	2
23	PM2800-023	Set Bolt		2
24	PM2800-024	Center Pulley Assembly		1
25	PM2800-025	C-Ring	B-35	1
26	BB-6202ZZ	Ball Bearing	6202ZZ	2
27	PM2800-027	Collar		1
28	PM2800-028	Center Shaft		1
29	PM2800-029	Center Pulley		1
30	PM2800-030	Post		1
31	TS-1524011	Set Screw	M8x8	2
32	PM2800-032	Speed Bar Seat		1
33	PM2800-033	Stud		1
34	TS-1534052	Pan Head Screw	M6x16	1
35	PM2800-035	Washer		1
36	PM2800-036	Guide		1
37	PM2800-037	Drive Screw	Ø2.3-5	8
38	TS-1525021	Set Screw	M10x12	2
39	PM2800-039	Spring Pin	M6x25	2
40	PM2800-040	Head		1
41	PM2800-041	Shaft Seat		1
42	PM2800-042	Spring Retainer		1
43	PM2800-043	Coil Spring		1
44	PM2800-044	Spring Cap		1
	PM2800-044A	Coil Spring Assembly (includes index # 43 and 44)		1
45	PM2800-045	Cushion	30x21-2	1
46	TS-0561052	Hex Nut	1/2-20UNF	1
47	TS-0571052	Hex Jam Nut	1/2-20UNF	1
48	PM2800-048	Hub		1
49	TS-2360121	Flat Washer	M12	2
50	TS-0720111	Lock Washer	1/2	1
51	TS-0561052	Hex Nut	1/2-20UNF	1
52	PM2800-052	Cover		1
53	PM2800-053	Quill Set Screw	M10x1.5-2A	1
54	TS-1540071	Hex Nut	M10	1
55	PM2800-055	Rack Ring Assembly		1
56	TS-1523021	Set Screw	M6x8	1

57	PM2800-057	Rack Ring		1
58	PM2800-058	Lead Wire Assembly	26AWG*2C-550MM	2
59	PM2800-059	Locking Cable Tie	A-085S	1
60	PM2800-060	Gear		1
61	PM2800-061	Worm		1
62	PM2800-037	Drive Screw	Ø2.3-5	2
63	PM2800-063	Centering Scale		1
64	PM2800-064	Crank Arm		1
65	PM2800-065	Crank Arm Handle	M10	1
66	PM2800-037	Drive Screw	Ø2.3-5	2
67	PM2800-067	Tilt Angle Scale		1
68	PM2800-068	Gear Shaft		1
69	PM2800-069	Table Bracket		1
70	PM2800-070	Column Lock Handle	M12x35	1
71	PM2800-071	Rack	108T	1
72	PM2800-072	Column		1
73	TS-1525021	Set Screw	M10x12	1
74	TS-1491061	Hex Cap Screw	M10x40	4
75	PM2800-075	Column Holder		1
76	PM2800-076	Base		1
77	PM2800-077	Locking Knob		2
78	PM2800-078	Dust Port		1
79	PM2800-079	Knob		2
80	PM2800-080	Carriage Bolt	M6x20	2
81	PM2800-081	Fence		2
82	PM2800-082	Nut	5/8-11	1
83	PM2800-083	Hex Bolt	5/8-11x2-3/8	1
84	PM2800-084	Alignment Bolt Assembly		1
85	PM2800-085	Table Insert		1
86	PM2800-086	Fence Body		1
87	TS-1540041	Hex Nut	M6	2
88	PM2800-088	Washer	8x15-1	2
89	TS-1503031	Socket Head Cap Screw	M6x12	2
90	PM2800-090	Table		1
91	PM2800-091	Table Extension Wing		2
92	PM2800-092	T-Nut		2
93	PM2800-093	Slide Tube		4
94	PM2800-094	Pan Head Tapping Screw	M5x10	4
95	PM2800-095	Pan Head Tapping Screw	M6x25	8
96	PM2800-096	Grounding Sticker		1
97	PM2800-097	Tooth Washer	M5	2
98	TS-1533032	Pan Head Screw	M5x10	2
99	PM2800-99	Lead Wire Assembly	14AWG 2.0-160L	1
100	PM2800-100	Truss Head Tapping Screw	M3x8	4
101	PM2800-101	Controller Assembly	115/230V, 60HZ	1
102	PM2800-102	Lead Wire Assembly	14AWG 2.0-160L	1
103	PM2800-103	Push-Pull Type Switch Assembly	125V, 20A, 1Ph	1
104	PM2800-104	Pan Head Tapping Screw	M5x16	4
105	PM2800-105	Switch Box		1
106	TS-1533052	Pan Head Screw	M5x16	3
107	PM2800-107	LED Lamp Assembly		2
108	PM2800-108	LED Lamp Cover		2
109	PM2800-109	Feed Shaft Assembly		1
110	PM2800-110	Feed Shaft		1
111	PM2800-111	Ring		1
112	PM2800-112	Hub		1
113	PM2800-113	Spring Pin		1
114	TS-1533032	Pan Head Screw	M5x10	1
115	PM2800-115	Truss Head Tapping Screw	M2x8	2
116	PM2800-116	Photo Interrupt Module		1
117	PM2800-117	Bracket		1

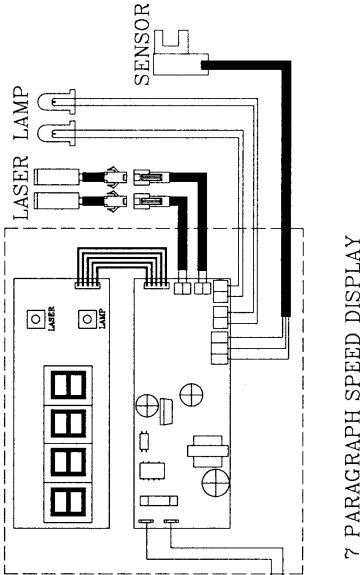
118	PM2800-118	Washer		1
119	PM2800-119	Stop Nut	M16	2
120	PM2800-120	Depth Stop Bolt & Scale Assembly		1
121	PM2800-037	Drive Screw	Ø2.3-5	2
122	PM2800-122	Scale	4-3/8 Inch	1
123	PM2800-123	Depth Stop Bolt		1
124	TS-1534092	Pan Head Screw	M6x35	2
125	PM2800-125	Plunge Housing		1
126	PM2800-126	Circular Nut		1
127	TS-1540071	Hex Nut	M10	1
128	PM2800-128	Set Collar		1
129	TS-1504051	Socket Head Cap Screw	M8x25	1
130	PM2800-130	Spindle Nut		1
131	PM2800-131	Nut Lock		1
132	PM2800-132	Washer		1
133	BB-6203ZZ	Ball Bearing	6203ZZ	1
134	PM2800-134	Rubber Washer		1
135	PM2800-135	Quill		1
136	PM2800-136	Drift Key		1
137	BB-6205ZZ	Ball Bearing	6205ZZ	1
138	PM2800-138	Spindle		1
139	PM2800-139	Spindle Assembly		1
140	PM2800-140	Arbor	MT2xJT3	1
141	PM2800-141	Keyless Chuck	RJ3-16L	1
142	PM2800-142	Slide Base Assembly		4
143	PM2800-143	Slide Base		1
144	PM2800-144	Clamp Handle		1
145	PM2800-145	Bolt		1
146	PM2800-146	Cushion		1
147	PM2800-147	Spring Pin	M5x20	1
148	TS-1541011	Lock Nut	M5	1
149	TS-1533042	Pan Head Screw	M5x12	8
150	PM2800-150	Drive Sleeve Assembly		1
151	PM2800-151	Drive Sleeve		1
152	PM2800-152	Collar		1
153	BB-6205ZZ	Ball Bearing	6205ZZ	2
154	PM2800-154	C-Ring	A-25	1
155	PM2800-155	Retaining Ring		2
156	PM2800-021	Key	5x5x35	2
157	PM2800-157	Spring Cap		1
158	PM2800-158	Compression Spring		2
159	PM2800-159	Pulley		2
160	PM2800-160	Variable Speed Belt	17x5x570	1
161	PM2800-161	Spring Cap		1
162	PM2800-162	Handle		3
163	PM2800-163	Handle Grip		3
164	PM2800-164	Handle Assembly		1
165	PM2800-165	Shift Knob		1
166	PM2800-166	O-Ring	P6	1
167	PM2800-167	Collar		1
168	PM2800-168	Washer	1/2x1-3/64	1
169	PM2800-169	Pulley Cover Assembly		1
170	PM2800-170	Pulley Cover		1
171	PM2800-171	Rivet	3/16x27/64	4
172	PM2800-172	Set Plate		1
173	PM2800-173	Bumper		1
174	6714154	Hex Cap Screw	1/4-20x3/8	2
175	TS-2286402	Pan Head Screw	M6x40	3
176	PM2800-176	POWERMATIC Name Plate		1
177	TS-152704	Hex Wrench	3 mm	1

178	TS-152706	Hex Wrench	5 mm	1
179	TS-152707	Hex Wrench	6 mm	1
180	PM2800-180	Power Cord	14AWGx3C	1
181	PM2800-181	Retaining Ring		2
182	PM2800-182	Cover		1

Electrical Connections

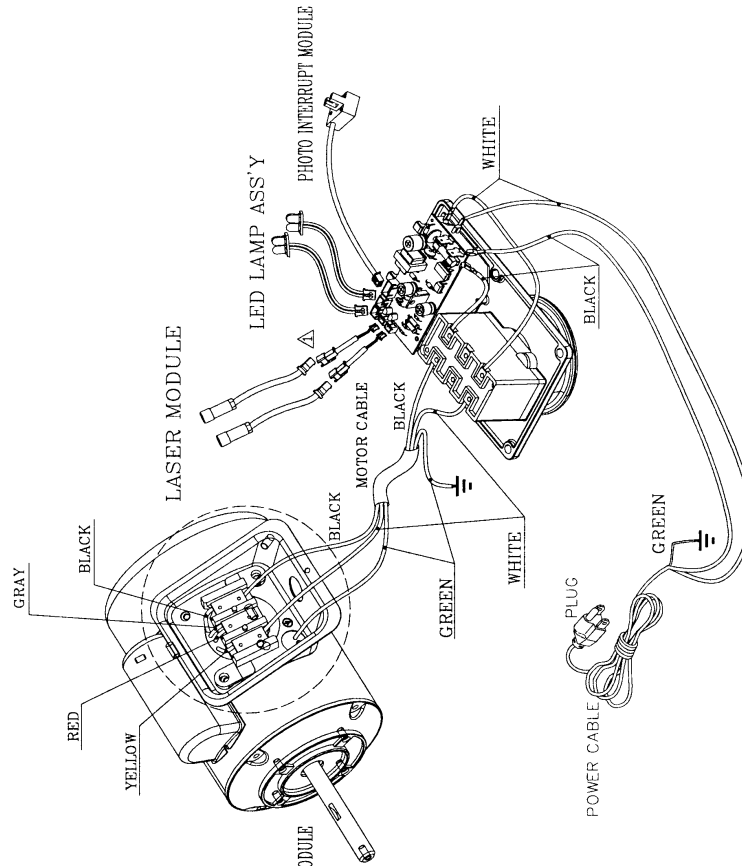


115V CONNECTOR DIAGRAM

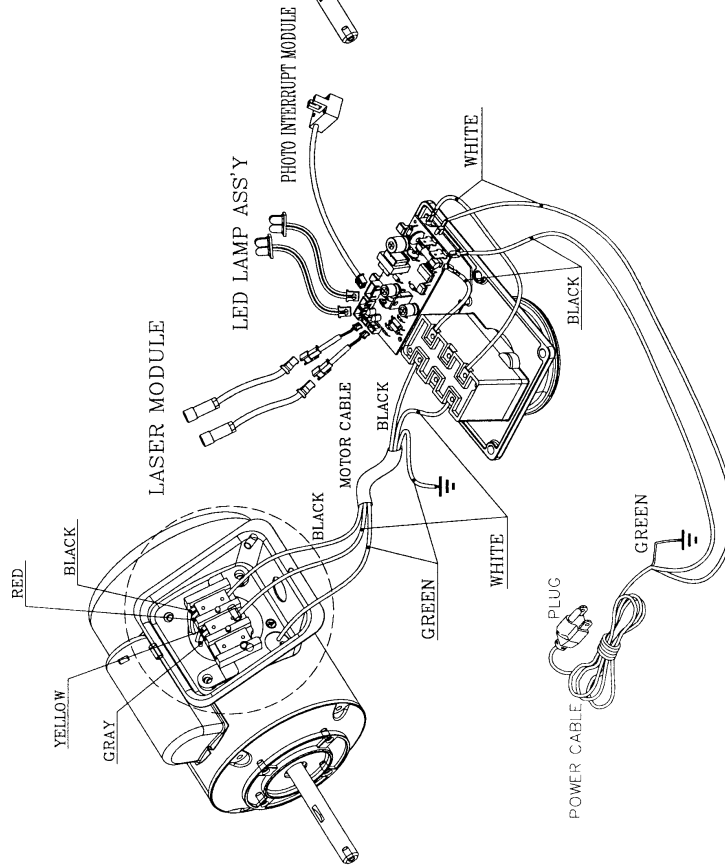


230V CONNECTOR DIAGRAM

Electrical Connections



230V THREE-CONNECTOR DIAGRAM



115V THREE-CONNECTOR DIAGRAM

POWERMATIC[®]

WMH Tool Group
2420 Vantage Drive
Elgin, IL 60124

Phone: 800-274-6848

Website: www.wmhtoolgroup.com