

SawStop[®]

Premium Fence Assembly

OWNER'S MANUAL



Warranty

SawStop warrants to the original retail purchaser of the Premium Fence Assembly from an authorized SawStop distributor that the fence system will be free from defects in material and workmanship for ONE YEAR from the date of purchase. SawStop warrants to the original retail purchaser of a refurbished, demonstration or floor model Premium Fence Assembly from an authorized SawStop distributor that the fence system will be free from defects in material and workmanship for SIX MONTHS from the date of purchase.

This warranty does not apply to defects arising from misuse, abuse, negligence, accidents, normal wear-and-tear, unauthorized repair or alteration, or lack of maintenance. This warranty is void if the fence system or any portion of the fence system is modified without the prior written permission of SawStop, LLC, or if the fence system is located or has been used outside of the country where the authorized SawStop distributor from whom the fence system was purchased resides.

Please contact SawStop to take advantage of this warranty. If SawStop determines the fence system is defective in material or workmanship, and not due to misuse, abuse, negligence, accidents, normal wear-and-tear, unauthorized repair or alteration, or lack of maintenance, then SawStop will, at its expense and upon proof of purchase, send replacement parts to the original retail purchaser necessary to cure the defect. Alternatively, SawStop will repair the fence system provided it is returned to SawStop, shipping prepaid, with proof of purchase and within the warranty period.

SawStop disclaims any and all other express or implied warranties, including merchantability and fitness for a particular purpose. SawStop shall not be liable for death, injuries to persons or property, or incidental, consequential, contingent or special damages arising from the use of the fence system.

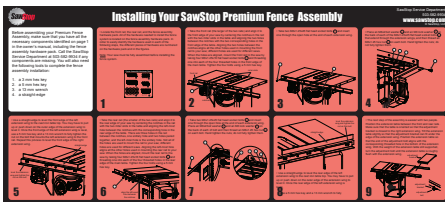
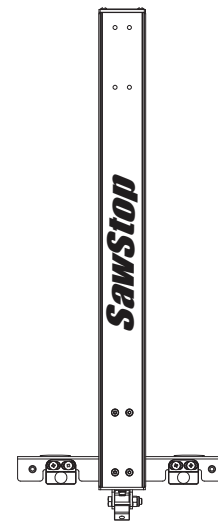
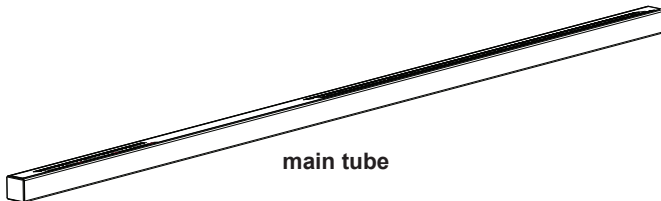
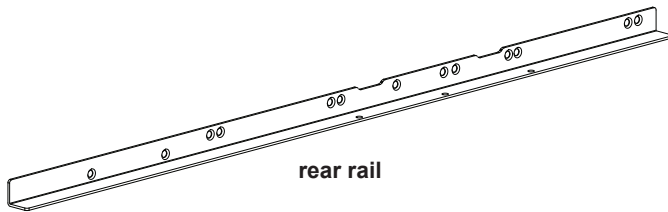
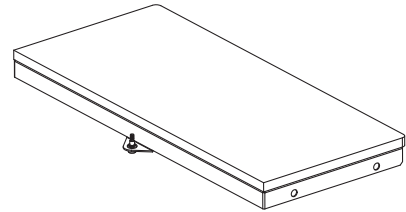
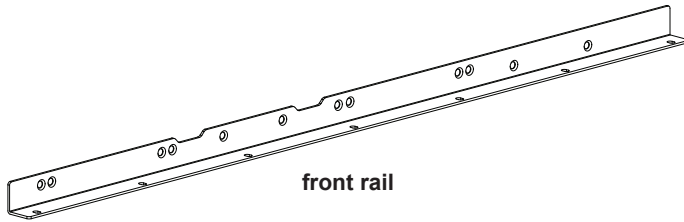
This warranty gives you specific legal rights. You may have other rights which vary from state to state.

Safety

1. You must install a rip fence before using your saw. Attempting to use the saw without the rip fence could result in serious personal injury.
2. Always use a rip fence when making rip cuts. Never perform a ripping operation freehand or a serious injury may result.
3. Always use a push stick or push block when your hand comes within 6 inches of the blade. Attempting to use the rip fence for narrow cuts without a push stick or push block could result in a serious personal injury.
4. Do not use the miter gauge when making rip cuts.
5. While making bevel cuts, use the fence only on the right side of the saw blade to prevent the blade from possibly contacting the fence. The brake will activate if the spinning saw blade comes into contact with the metal in the fence.

Unpacking Your Fence Assembly

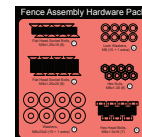
While unpacking your fence assembly, verify that all of the components on this page are included. Use care when unpacking your fence assembly to prevent damage to any of the components.



installation instructions poster



owner's manual



fence assembly hardware pack

Installing Your Fence Assembly

Note: Your saw must be fully assembled before installing the fence system.

1. Before you begin installing the Premium Fence Assembly, locate the front rail, the rear rail, and the fence assembly hardware pack (see Fig. 1). All of the hardware needed to install the fence system is located on the fence assembly hardware pack. In order to easily identify the hardware used in each of the following steps, the different pieces of hardware are numbered on the hardware pack and in the figures. If you are missing the fence assembly hardware pack or any of the other fence system components shown on page 1, call the SawStop Service Department at 503-582-9934.

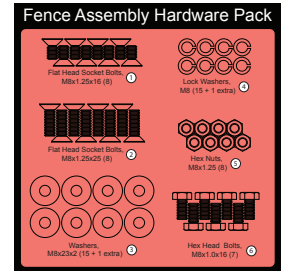


Fig. 1

You will also need the following tools to complete the fence assembly installation:

- a 3 mm hex key
- a 5 mm hex key
- a 13 mm wrench
- a straight-edge

2. Take the front rail (the larger of the two rails) and align it to the front edge of your saw by centering the notches in the rail with the two miter slots in the table and aligning the two holes between the notches with the two corresponding holes in the front edge of the table. Aligning the two holes between the notches aligns all the other holes used in mounting the front rail to your saw; different holes are used for different saws. When the holes are aligned, mount the front rail to the saw by taking four M8x1.25x16 flat head socket bolts and threading one into each of the four threaded holes in the front edge of the main table (see Fig. 2). Tighten the four bolts using a 5 mm hex key.

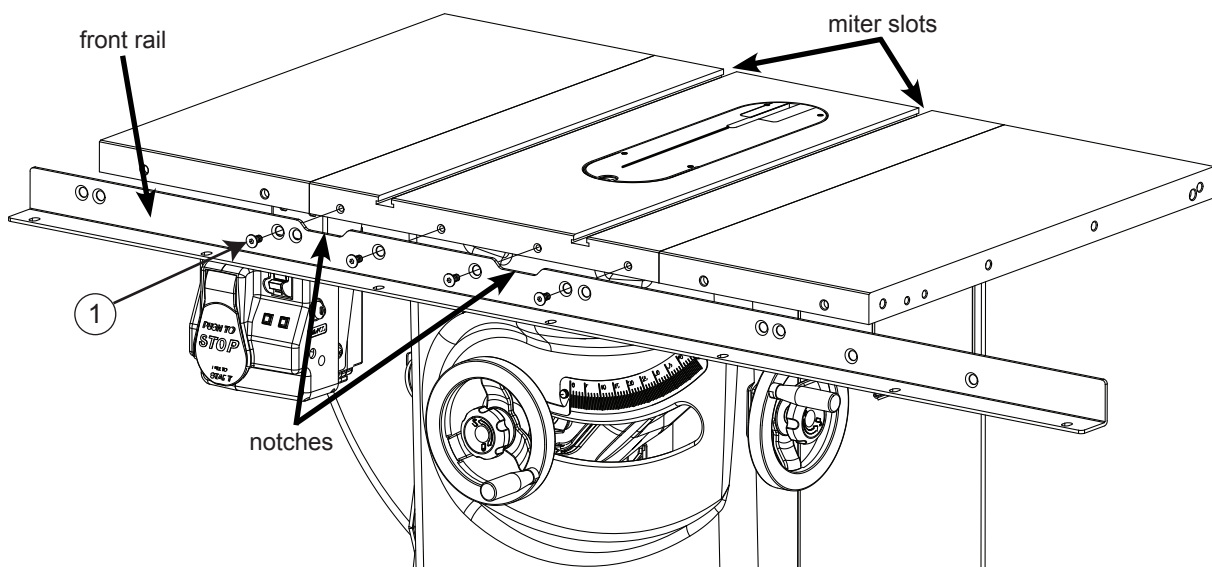


Fig. 2

Installing Your Fence Assembly

3. Take two M8x1.25x25 flat head socket bolts and insert one through the open hole at the end of each extension wing, as shown in Fig. 3.

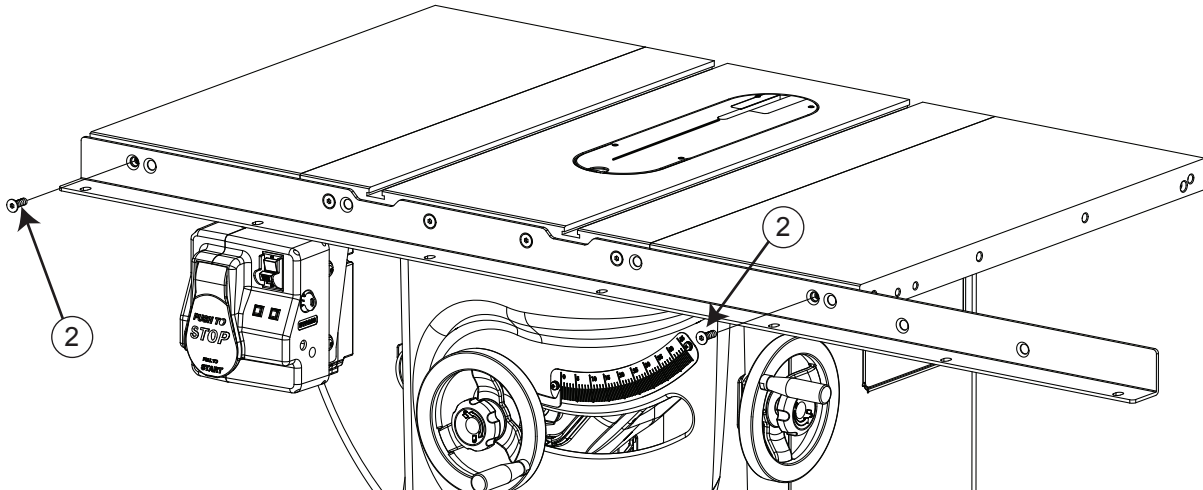


Fig. 3

4. Place an M8x23x2 washer and an M8 lock washer on the back of each of the M8x1.25x25 flat head socket bolts that extend through the extension wings, and then thread an M8x1.25 hex nut on each bolt (see Fig. 4). Hand tighten the nuts; do not fully tighten them.

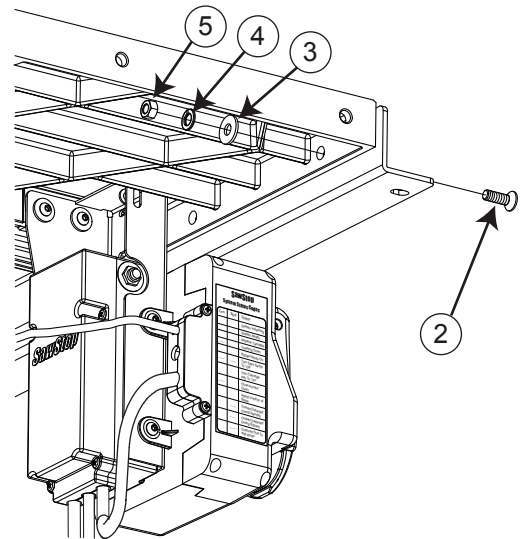


Fig. 4

5. Use a straight-edge to level the front edge of the left extension wing to the cast iron table top (see Fig. 5). You may have to pull up or push down on the outer edge of the extension wing to level it. Once the front edge of the left extension wing is level, use a 5 mm hex key and a 13 mm wrench to fully tighten the nut on the bolt that mounts the left extension wing to the front rail. Repeat this process to level the front edge of the right extension wing.

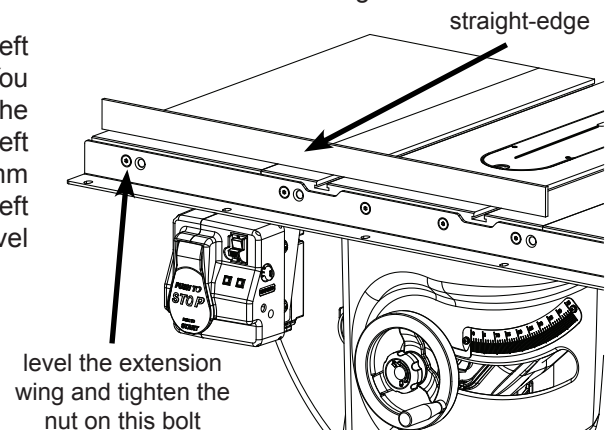


Fig. 5

Installing Your Fence Assembly

6. Take the rear rail (the smaller of the two rails) and align it to the rear edge of your saw by centering the notches in the rail with the two miter slots in the table and aligning the left-most hole between the notches with the corresponding hole in the rear edge of the table. There are three holes in the rail between the notches, one solitary hole and two holes paired together, and the left-most hole is the solitary hole. Not all of the holes are used to mount the rail to your saw; different holes are used for different saws. Aligning the left-most hole aligns all the other holes used in mounting the rear rail to your saw. When the holes are aligned, mount the rear rail to the saw by taking four M8x1.25x16 flat head socket bolts and threading one into each of the four threaded holes in the rear edge of the main table (see Fig. 6). Tighten the four bolts using a 5 mm hex key.

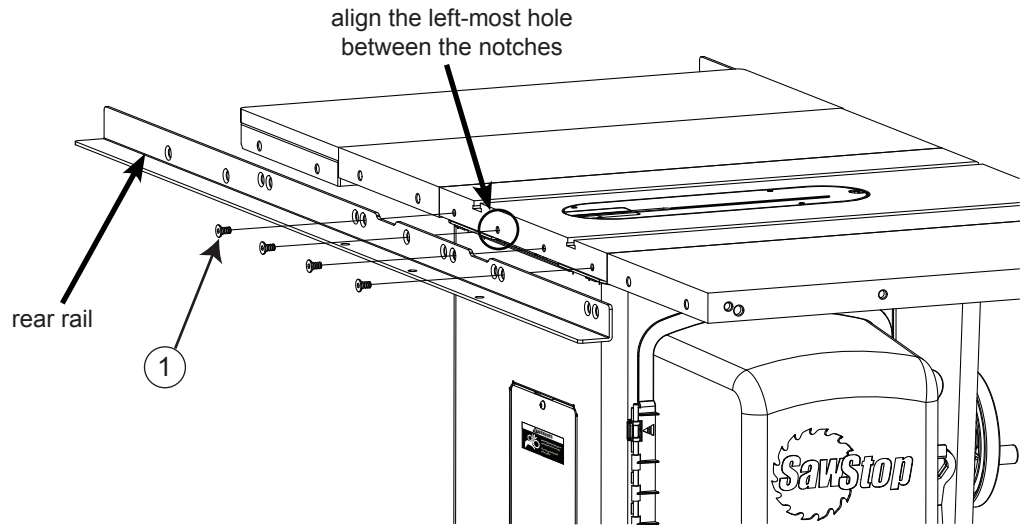


Fig. 6

7. Take two M8x1.25x25 flat head socket bolts and insert one through the open hole at the end of each extension wing. Place an M8x23x2 washer and an M8 lock washer on the back of each bolt and then thread an M8x1.25 hex nut on each bolt (see Fig. 7). Hand tighten the nuts; do not fully tighten them.

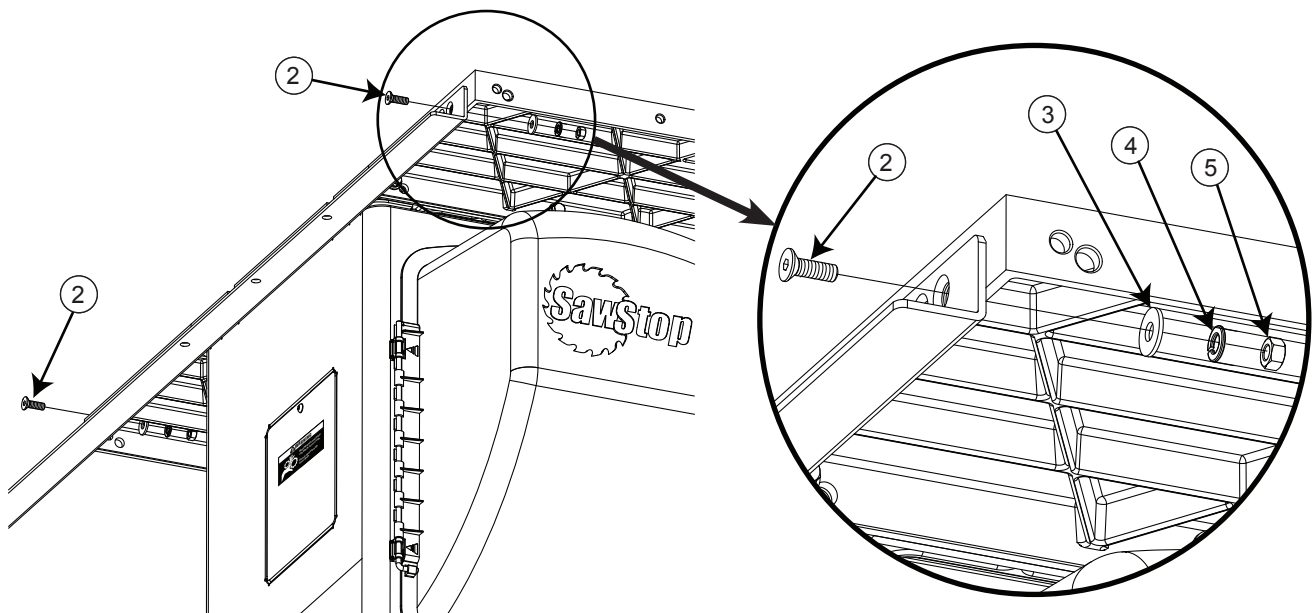


Fig. 7

Installing Your Fence Assembly

8. Use a straight-edge to level the rear edge of the left extension wing to the cast iron table top (see Fig. 8). You may have to pull up or push down on the outer edge of the extension wing to level it. Once the rear edge of the left extension wing is level, use a 5 mm hex key and a 13 mm wrench to fully tighten the nut on the bolt that mounts the left extension wing to the rear rail. Repeat this process to level the rear edge of the right extension wing.

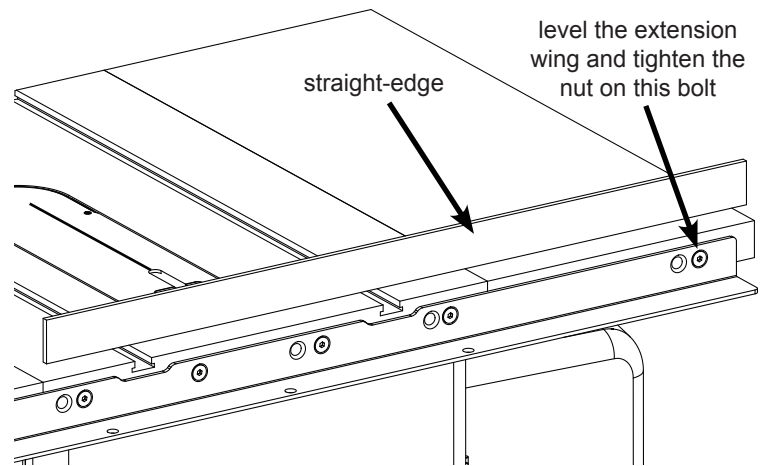


Fig. 8

9. The next step of the assembly is easiest with two people. Position the extension table between the front and rear rails (see Fig. 9a). Make sure that the table is oriented so that the adjustment bracket is closest to the right extension wing. Tilt the extension table slightly so that the adjustment bracket can fit under the edge of the extension wing. Position the extension table so that the end of the adjustment bolt (shown in Fig. 9b) aligns with the corresponding threaded hole in the bottom of the extension wing. With the weight of the extension table still supported, turn the adjustment bolt until the extension table is roughly flush with the extension wing.

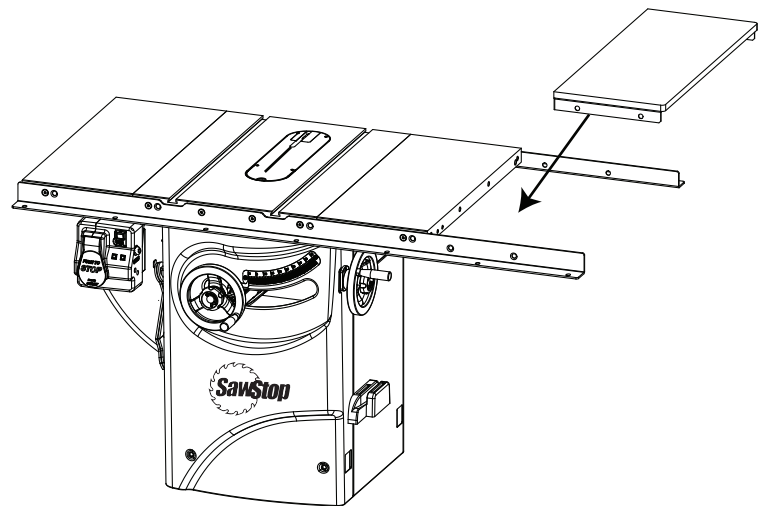


Fig. 9a

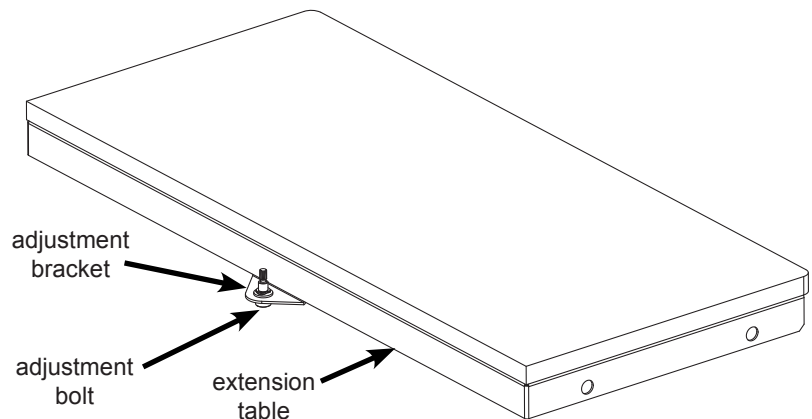


Fig. 9b

Installing Your Fence Assembly

10. The extension table mounts to the rails with bolts that pass through holes in the rails and extension table. Take four M8x1.25x25 flat head socket bolts and insert one bolt into each of the remaining holes in the front and rear rails. Place an M8x23x2 washer and an M8 lock washer on the back of each bolt and then thread an M8x1.25 hex nut on each bolt (see Fig. 10). Hand tighten the nuts; do not fully tighten them.

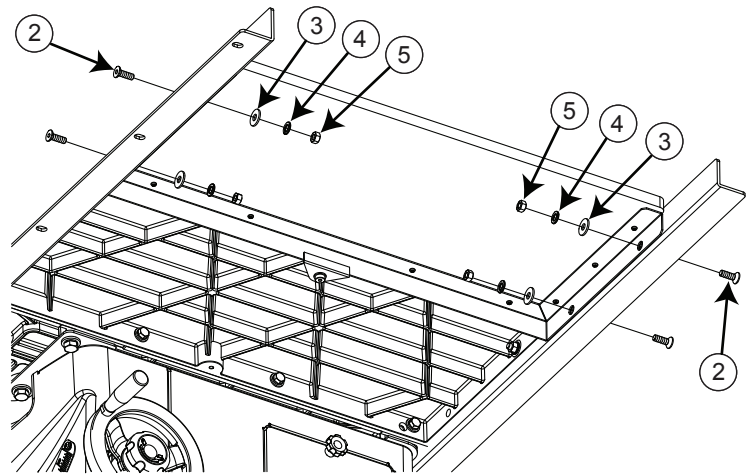


Fig. 10

11. Make sure the extension table is flush against the right extension wing and there is no gap between them. Then, use a straight-edge to level the front edge of the extension table to the cast iron table top (see Fig. 11). You may have to pull up or push down on the outer edge of the extension table to level it. Once the front edge of the extension table is level, use a 5 mm hex key and a 13 mm wrench to fully tighten the nuts on the bolts that mount the extension table to the front rail. Repeat this process to level the rear edge of the extension table to the cast iron table top.

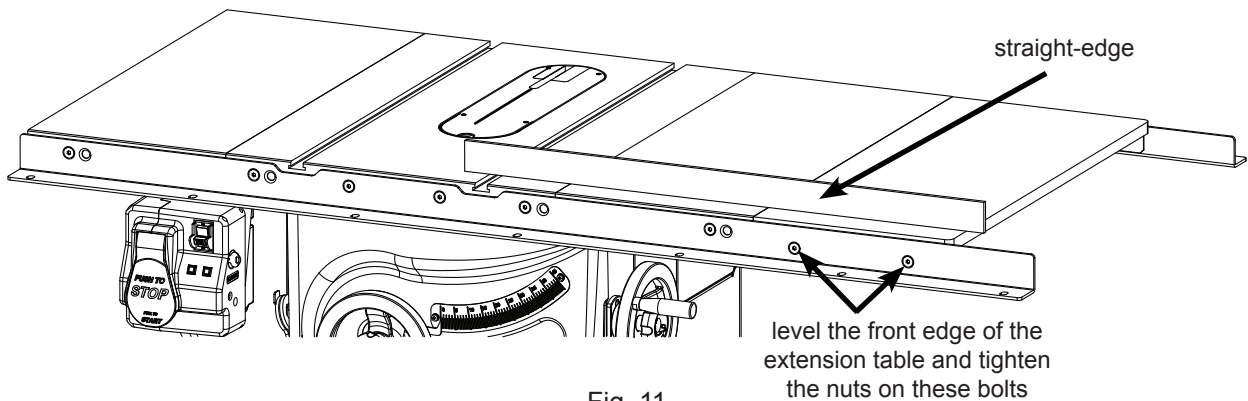


Fig. 11

12. Place the straight-edge lengthwise across the middle of the extension wing and the extension table (see Fig. 12a). Use a 5 mm hex key to turn the adjustment bolt clockwise or counter-clockwise until the middle of the extension table is level with the extension wing (see Fig. 12b).

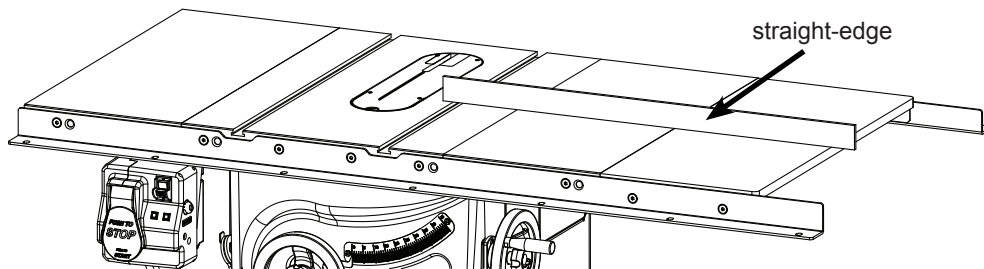


Fig. 12a

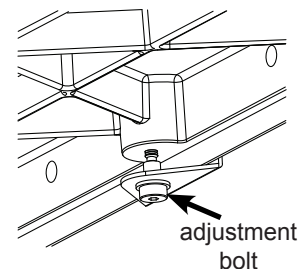


Fig. 12b

Installing Your Fence Assembly

13. Locate the main tube and remove seven M8x1.0x16 hex head bolts, seven M8x23x2 washers, and seven M8 lock washers from the fence assembly hardware pack. Position the main tube on the horizontal portion of the front rail with the rulers facing up and the 12 inch ruler on the left. The powder coated surfaces of the main tube and rail can be slick, so be careful that the main tube does not fall off the rail. Align the holes in the rail with the holes in the bottom of the main tube. Place an M8x23x2 washer and an M8 lock washer on each M8x1.0x16 hex head bolt and insert the bolts through the rail and into the threaded holes in the bottom of the main tube (see Fig. 13). Hand tighten the bolts; do not fully tighten them.

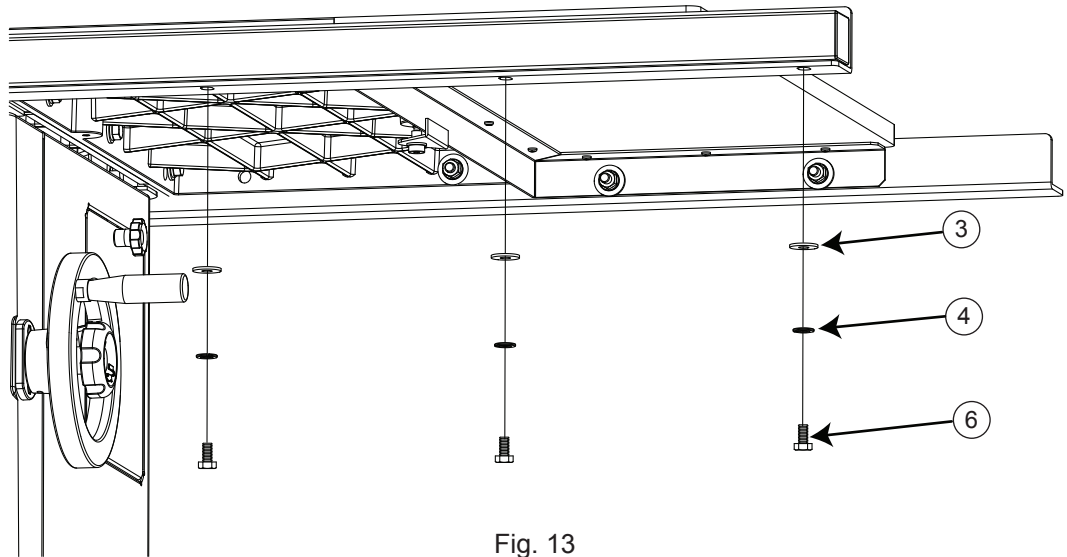


Fig. 13

14. Locate the fence and the red fence handle. Thread the handle into the cam lock on the front of the fence (see Fig. 14).

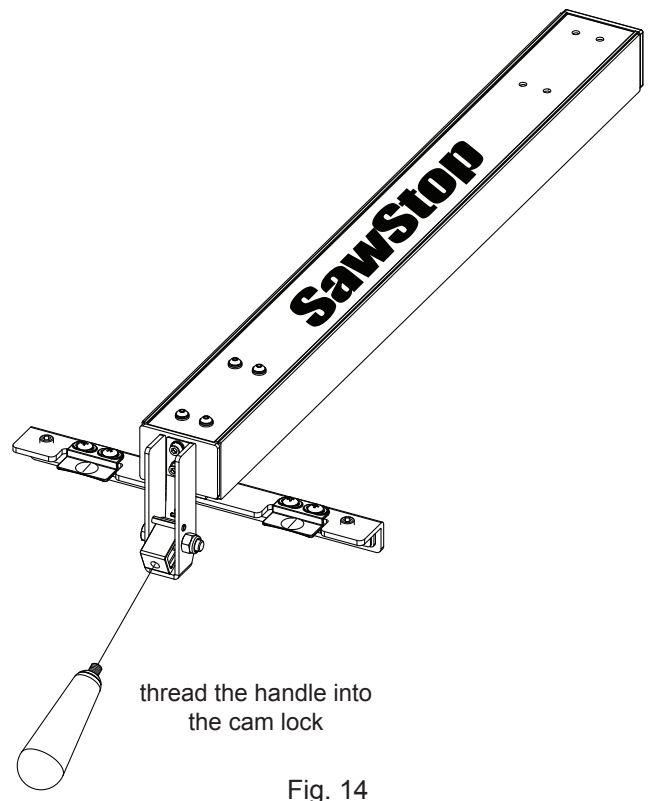


Fig. 14

Installing Your Fence Assembly

15. The holes in the bottom of the front rail are oversized to allow you to adjust the position of the main tube on the rail. To set the main tube in the correct position, first pull the main tube away from the cast-iron table as far as possible. Next, place your fence down on the main tube near the left end (see Fig. 15).

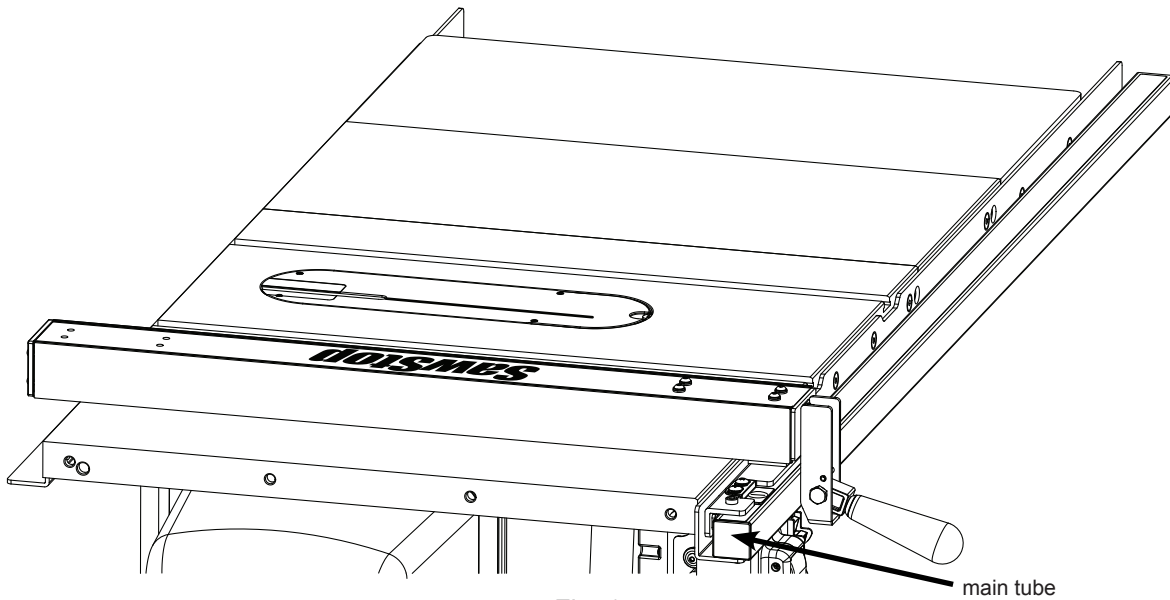


Fig. 15

16. Press down on the fence handle to clamp the fence to the main tube. If the fence does not clamp tightly enough to hold its position against a moderate amount of force, you can increase the clamping pressure by turning both parallelism adjustment screws clockwise using a 3 mm hex key. Those screws are located in the vertical portion of the fence cross-bracket (see Fig. 16). Alternatively, if too much force is required to push the fence handle down to clamp the fence to the main tube, you can reduce the clamping pressure by turning both parallelism adjustment screws counter-clockwise.

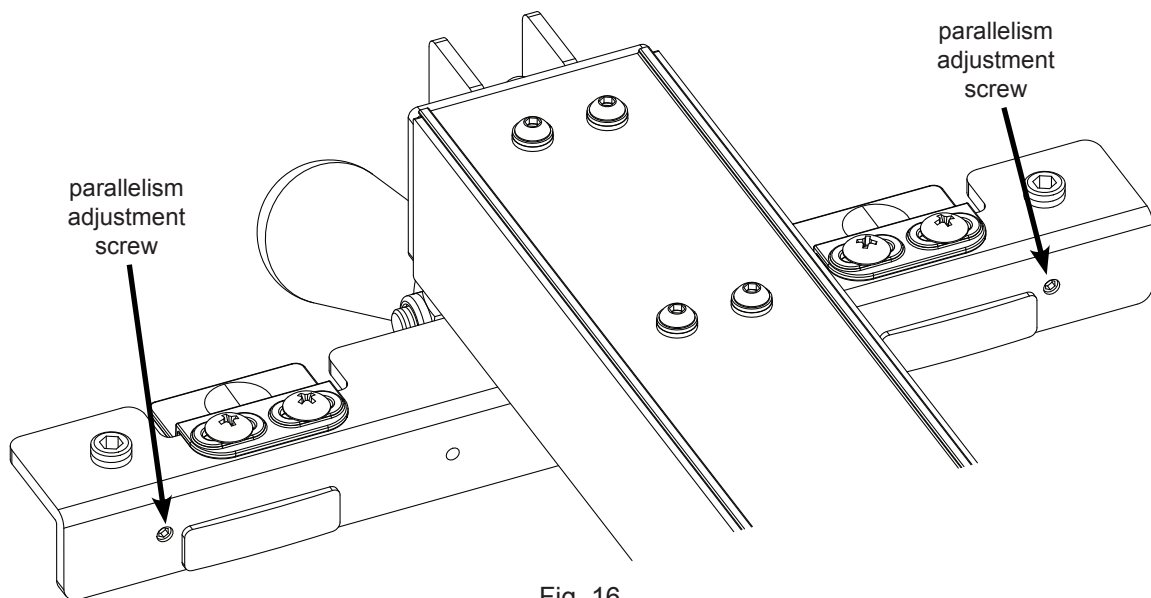


Fig. 16

Installing Your Fence Assembly

17. Once the fence is tightly clamped to the main tube, move the left end of the main tube back toward the saw until there is only a small gap (approximately $1/16''$) between the front rail and the rear face of the glide plate on the fence (see Fig. 17). Tighten the left-most M8x1.0x16 hex head bolt that holds the main tube to the front rail using a 13 mm wrench. Be careful not to overtighten the bolts because you may strip the threads in the main tube (recommended torque = 8.0 ft·lbs).

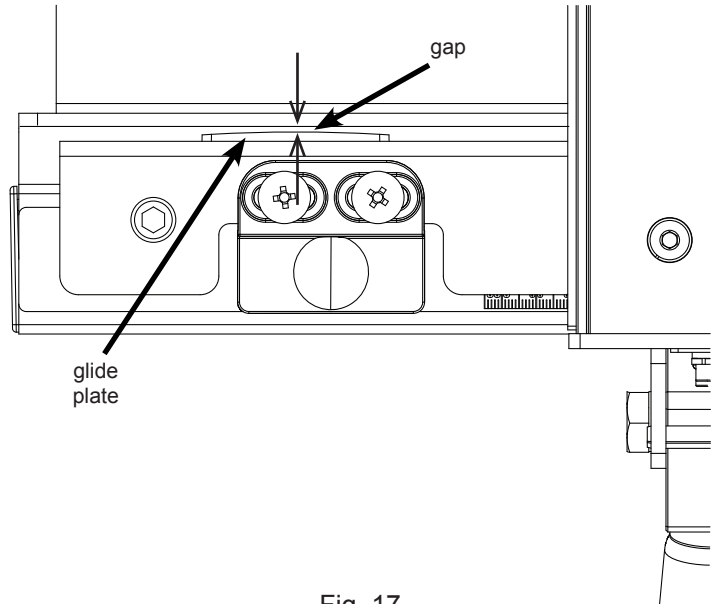


Fig. 17

18. Next, move the fence to the right end of the main tube, repeat the above process to position the main tube, and tighten the right-most bolt (see Fig. 18). Once both ends of the main tube are adjusted correctly, use a 13 mm wrench to tighten the remaining M8x1.0x16 hex head bolts to mount the main tube to the front rail. Be careful not to overtighten the bolts because you may strip the threads in the main tube (recommended torque = 8.0 ft·lbs). The fence should now slide smoothly along the main tube without binding and without excessive play.

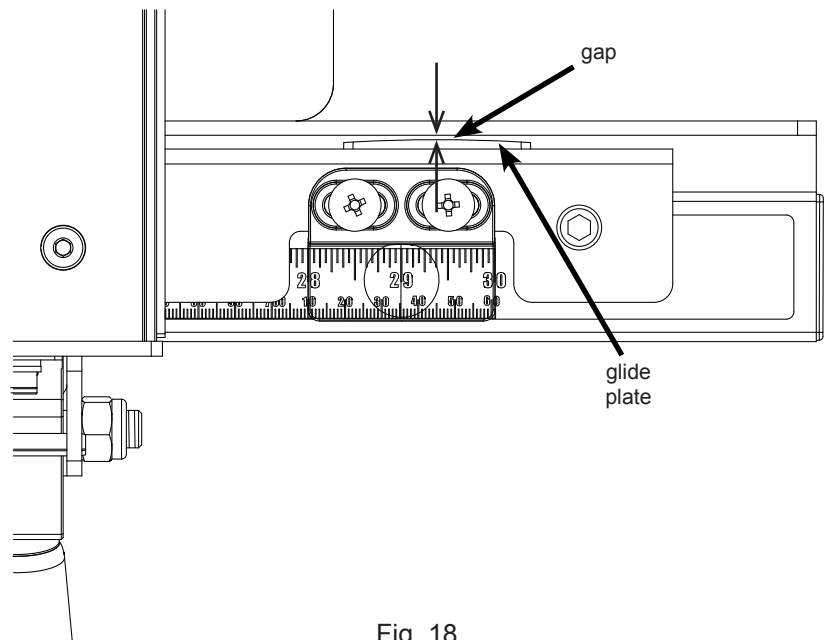


Fig. 18

Adjusting Your Rip Fence

Although the fence is factory-adjusted to nominal settings, it is usually necessary to make final adjustments once your rails and extension table have been installed on the saw.

The fence allows you to precisely set the width of your rip cuts (cuts that are length-wise along the grain of the wood). The precise width of cut is shown by the indicator lenses on the front of the fence (see Fig. 19). The lens on the left indicates the width of cut when the fence is on the left side of the blade. The lens on the right indicates the width of cut when the fence is on the right side of the blade. Each indicator lens is positioned above a ruler on the front tube. Each lens has a red cursor line that indicates the precise width of cut. To read the width of cut, look down at the cursor line. The mark on the ruler that is directly below the cursor line is the width of cut.

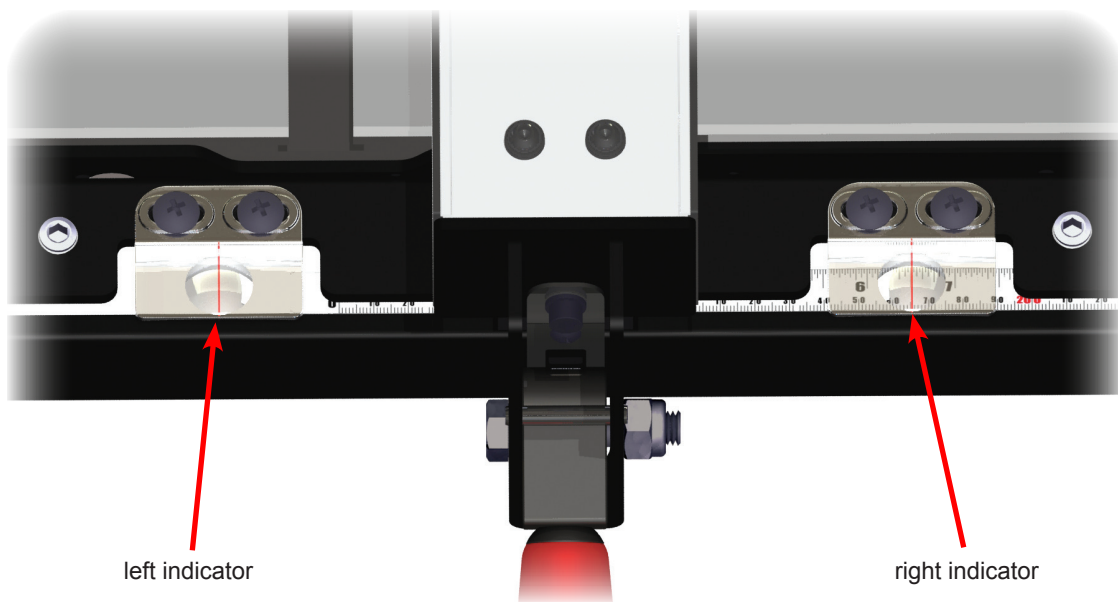


Fig. 19

If necessary, you can adjust the position of the indicator lenses on the front of the fence. To verify the position of each indicator lens, press down on the red fence handle to clamp the fence to the main tube and use a ruler to measure the distance from the blade to the fence plate and compare it to the measurement shown on the proper indicator lens. If adjustment is necessary, loosen the two Phillips screws shown in Fig. 20 and slide the indicator lens to the right or left until the cursor is directly over the correct measurement. Tighten the screws to lock the position of the indicator lens.

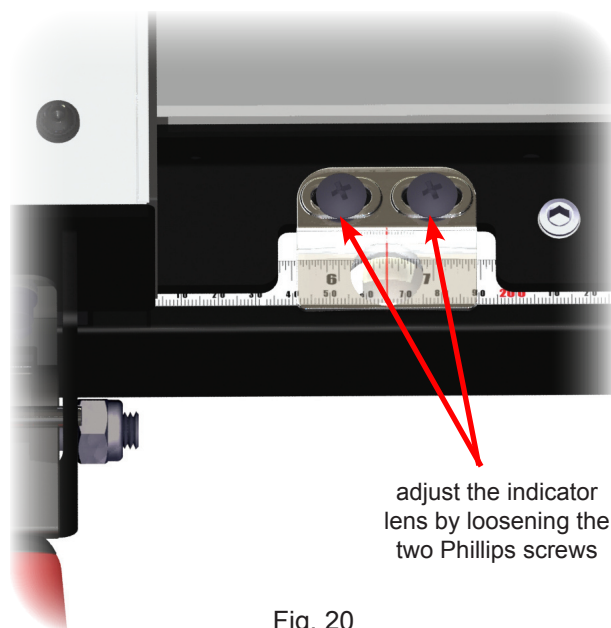


Fig. 20

Adjusting Your Rip Fence

The next step is to align the face plates to be parallel to the miter slots. Begin by sliding the fence along the main tube until the left face plate is flush with the right edge of the right miter slot. Lock the fence handle and check that the face plate is flush with the miter slot edge along its whole length (see Fig. 21). You can check this either visually or by running your finger along the face plate and miter slot edge. If there is any misalignment, you can correct it by turning one of the two parallelism adjustment screws in the vertical edge of the fence cross-bracket (see Fig. 16).



Fig. 21

The next step is to adjust the face plates to be perpendicular to the table top. The angle between the face plates and the table is set by the two plastic leveling screws in the horizontal portion of the cross-bracket (see Fig. 22). The leveling screws raise and lower each end of the horizontal portion of the fence cross-bracket with respect to the main tube while the two face plates remain parallel with each other. Adjusting the leveling screws tilts the fence cross-bracket as needed to make the face plates perpendicular to the table.

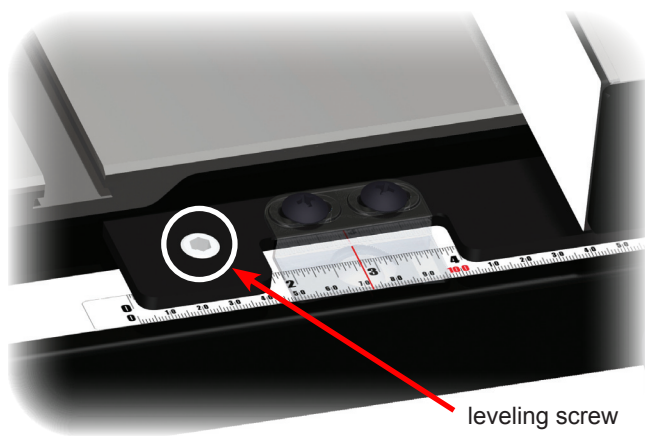


Fig. 22

To adjust the angle of the face plates, place a combination square on the table top and against the left face plate (see Fig. 23). Use a 6 mm hex key to adjust the leveling screws as necessary until the face plate is parallel to the vertical edge of the combination square.

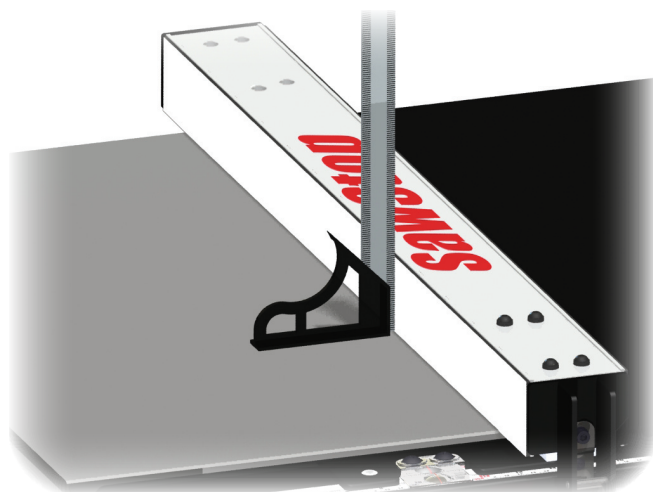
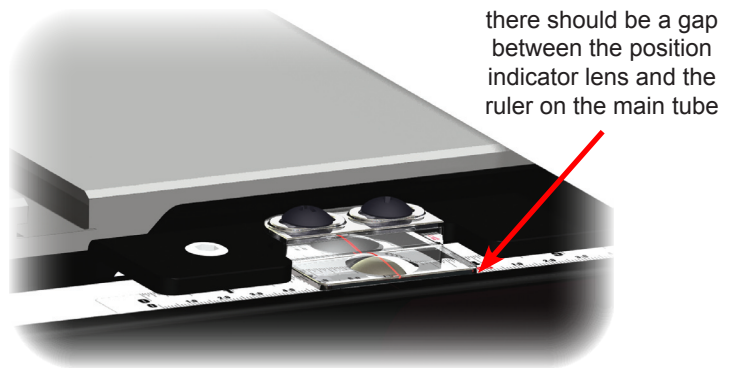


Fig. 23

Adjusting Your Rip Fence

You may find that after adjusting the face plates the end of the cross-bracket has been raised or lowered such that it is too close or too far away from the main tube. If this is the case, turn both plastic leveling screws the same amount in order to ensure the position indicator lenses are close, but not touching the front tube or rulers (see Fig. 24).

Congratulations, your fence system is now installed and your saw is ready to use.



there should be a gap between the position indicator lens and the ruler on the main tube

Fig. 24

Reversing the left and right fence face plates:

The left and right face plates along each side of the fence tube are not replaceable. However, the fence head can be moved from one end of the tube to the other if one of the face plates is damaged (e.g. damage from contact with the spinning blade) so that the left and right face plates are reversed. To move the fence head, first remove the fence endcap by removing the four button head screws on the endcap with a Phillips screwdriver (see Fig. 25). Then remove the two M4x0.7x8 flat head Phillips bolts that mount the fence roller assembly and slide the fence roller assembly out the open end of the fence tube. Next, peel off the four silver adhesive labels on the top of the fence tube to uncover the four holes near the far end of the fence tube. Using a 4 mm hex key, remove the four M6x1.0x12 button head socket bolts, along with their lock washers and washers, that mount the fence head to the fence tube, as shown in Fig. 25. Slide the fence tube away from the fence head and turn the tube around so that the SawStop sticker on the top of the fence faces the other direction and the right face plate becomes the left face plate. Slide the fence tube onto the fence head and re-install the four mounting bolts, along with their lock washers and washers, in the four holes near the fence head (see Fig. 26). Use a 4 mm hex key to fully tighten the four mounting bolts. Then slide the fence roller assembly into the open end of the fence tube and mount it with the two flat head Phillips bolts. Re-install the endcap with the four button head Phillips screws on the far end of the fence tube (see Fig. 26). Your fence may need to be re-adjusted after completing this procedure (as described on pages 10-12).

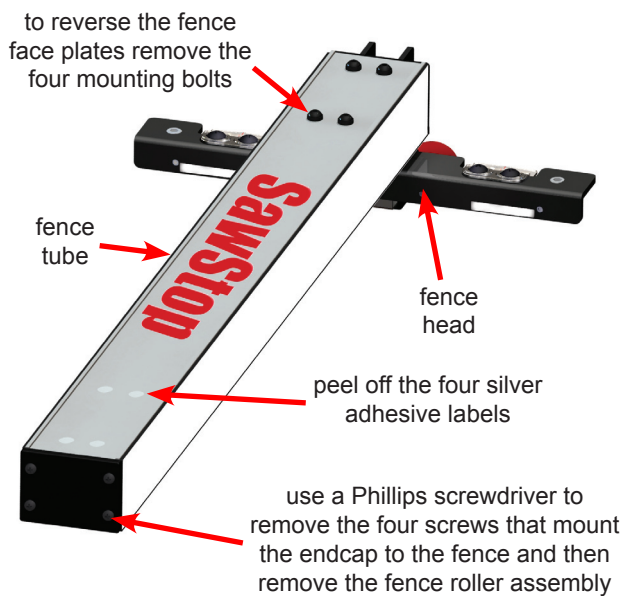


Fig. 25

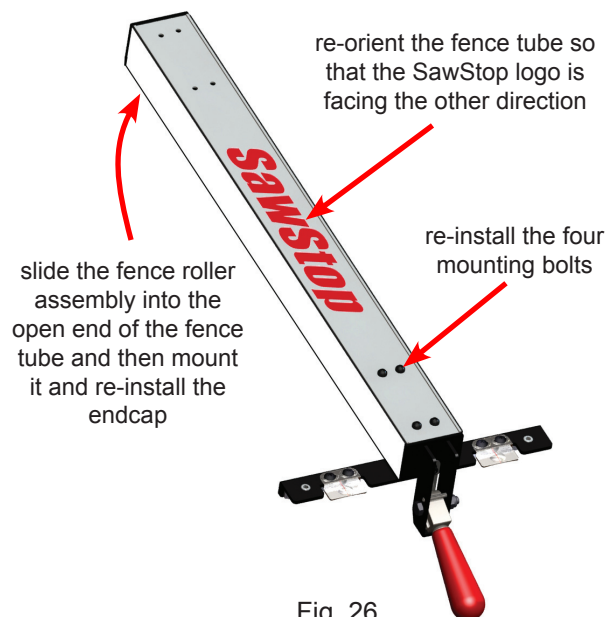


Fig. 26

Using Your Rip Fence

The rip fence included with your Premium Fence Assembly is used to guide material parallel to the blade when you make rip cuts (cuts that are length-wise along the grain of the wood). The fence must always be used when making rip cuts.

To use the rip fence, begin by placing it on the table so that the fence glide bracket is resting on the upper rear edge of the main tube. You can use the fence on either the left or right side of the blade for non-bevel cuts. If you plan to make bevel cuts, use the fence only on the right side to prevent the blade from possibly contacting the fence. After placing the fence on the main tube, lift the red handle up to the unlocked position (see Fig. 27) and slide the fence to the left or right until the distance between the blade and the fence is approximately equal to the desired width of cut. Adjust the position of the fence until the cursor on the indicator lens is directly over the desired width of the cut. Use the lens on the left when the fence is on the left side of the blade and use the lens on the right when the fence is on the right side of the blade.



Fig. 27

Once the fence is in the correct position, push the red handle down to the locked position (see Fig. 28). The fence is now locked in place and ready for use.

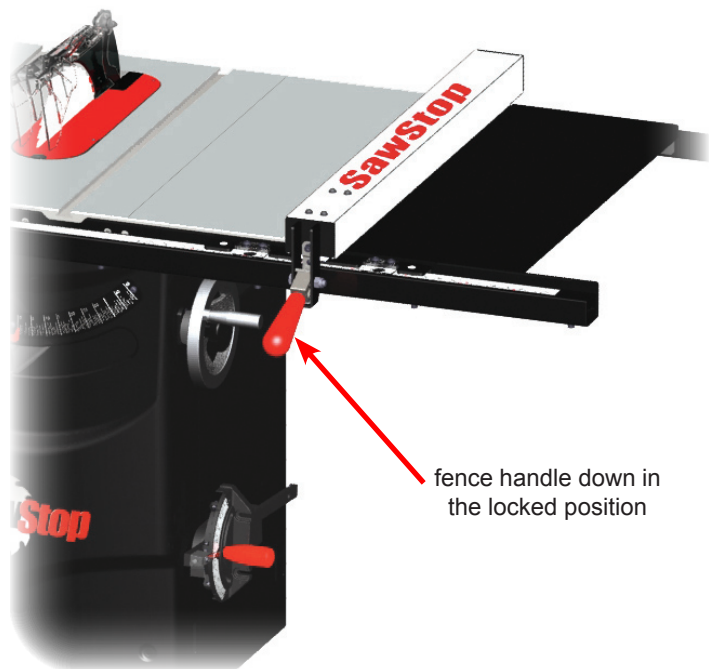
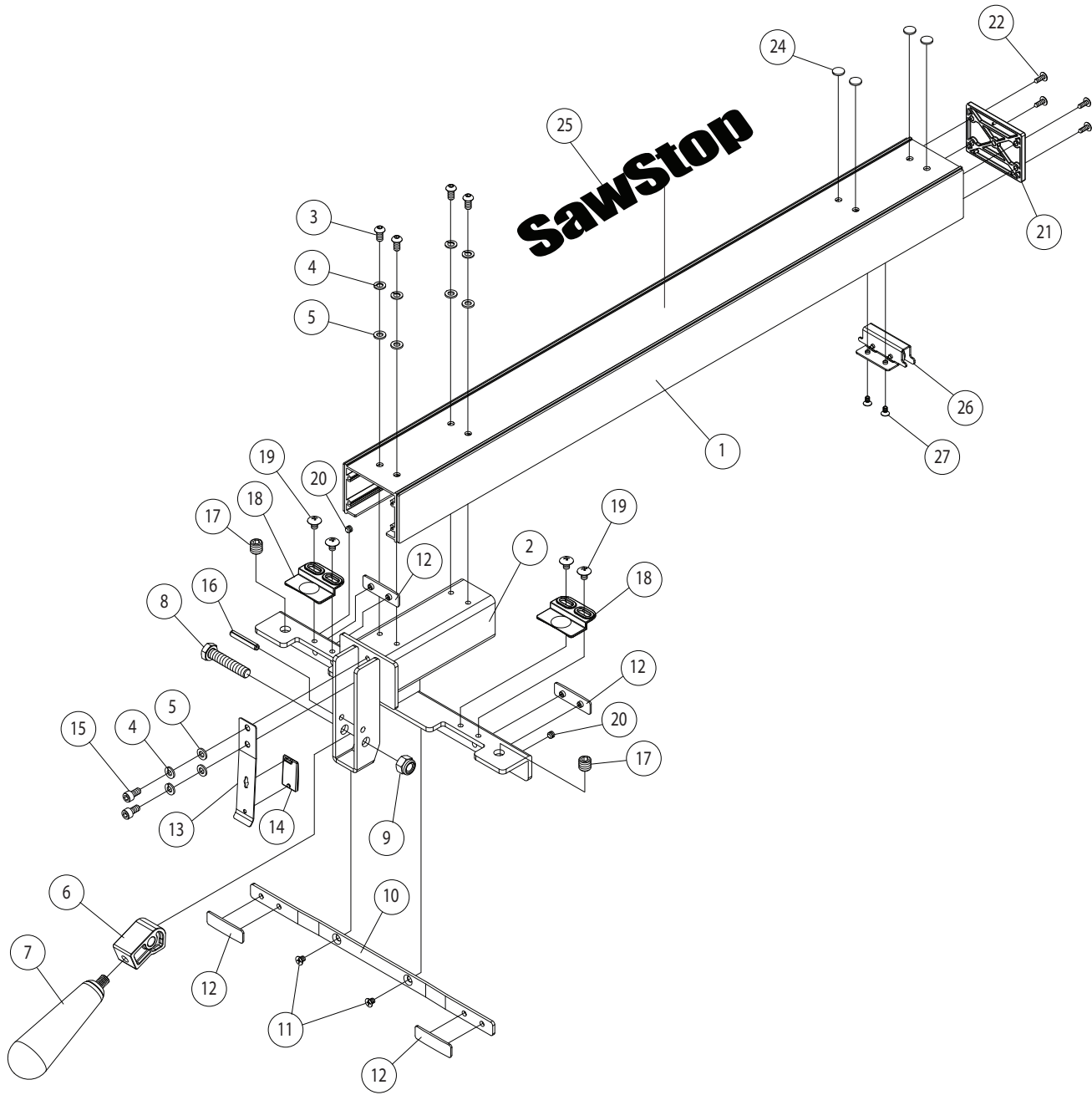


Fig. 28

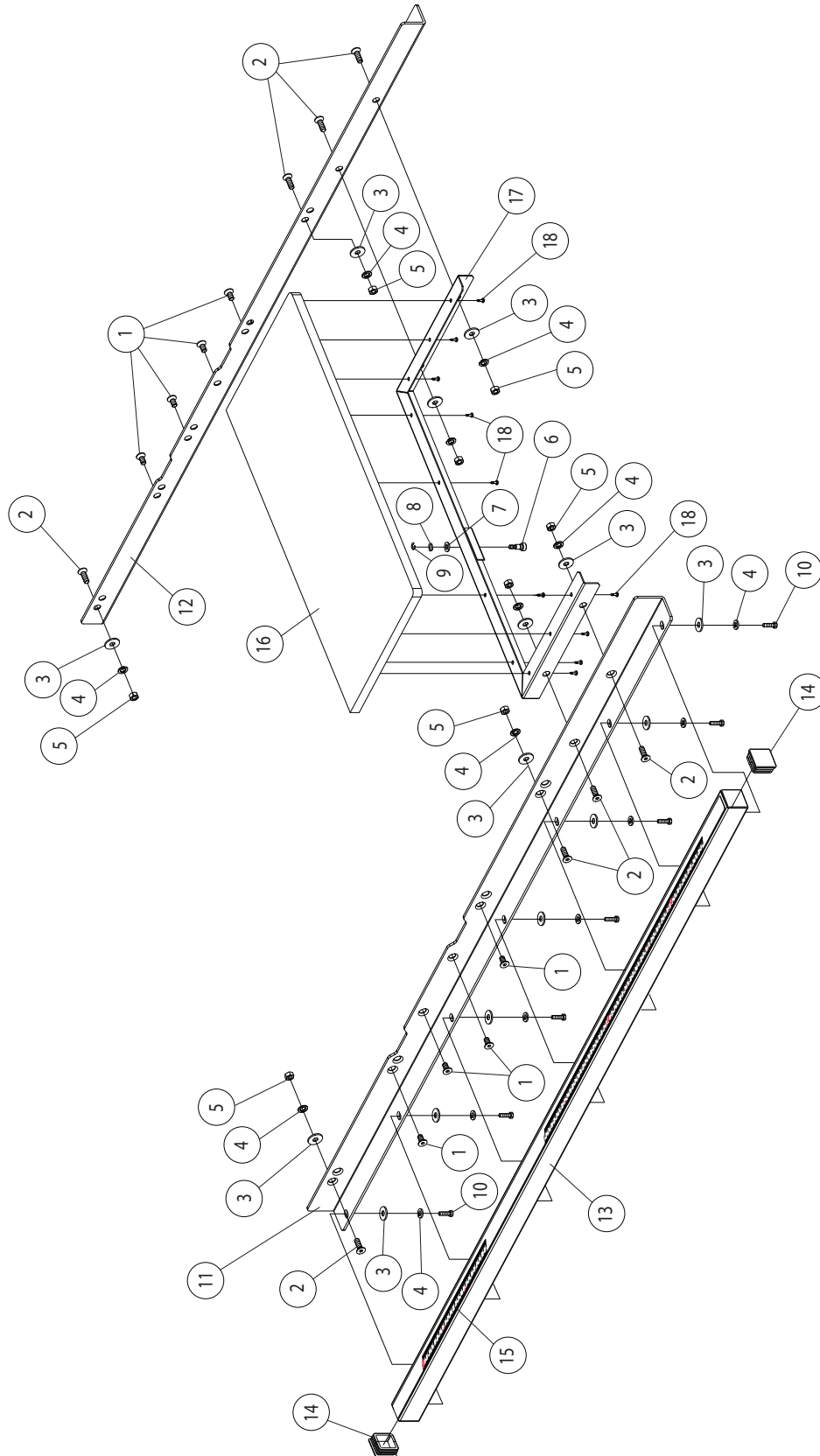
Premium Rip Fence Exploded View



Premium Rip Fence Parts List

No.	Description	Part No.	Qty.
	Premium Rip Fence (items 1-27)	PFA-RF	1
1	Fence Tube	PFA-001	1
2	Fence Head	PFA-002	1
3	M6x1.0x12 Button Head Socket Bolt	PFA-003	4
4	M6 Lock Washer	PFA-004	6
5	M6x13x1.5 Washer	PFA-005	6
6	Cam Lock	PFA-006	1
7	Fence Handle	PFA-007	1
8	M10x1.5x45 Hex Head Bolt	PFA-008	1
9	M10x1.5 Lock Nut	PFA-009	1
10	Flex Arm	PFA-010	1
11	M5x0.8x8 Flat Head Phillips Bolt	PFA-011	2
12	Flex Arm Glide Plate	PFA-012	4
13	Flex Plate	PFA-013	1
14	Flex Plate Friction Pad	PFA-014	1
15	M6x1.0x12 Socket Head Cap Bolt	PFA-015	2
16	M6x36 Spring Pin	PFA-016	1
17	Leveling Adjustment Screw M12x1.75	PFA-017	2
18	Position Indicator Lens	PFA-018	2
19	M6x1.0x8 Button Head Phillips Bolt	PFA-019	4
20	M6x1.0x6 Set Screw	PFA-020	2
21	Fence Endcap	PFA-021	1
22	M4x1.59x12 Button Head Phillips Screw	PFA-022	4
24	Silver Adhesive Label	PFA-024	4
25	SawStop Label	PFA-025	1
26	Fence Roller Assembly	PFA-049	1
27	M4x0.7x8 Flat Head Phillips Bolt	PFA-050	2
	Accessories		
N/A	Hardware Pack	PFA-026	1
N/A	Premium Fence Assembly Installation Poster	PFA-027	1

Premium Rails and Extension Table Assembly Exploded View



Premium Rails and Extension Table Assembly Parts List

No.	Description	Part No.	Qty.
1	M8x1.25x16 Flat Head Socket Bolt	PFA-029	8
2	M8x1.25x25 Flat Head Socket Bolt	PFA-030	8
3	M8x23x2 Washer	PFA-031	15
4	M8 Lock Washer	PFA-032	15
5	M8x1.25 Hex Nut	PFA-033	8
6	M6x1.0x32 Socket Head Shoulder Adjustment Bolt	PFA-034	1
7	M9x18.3x2.3 Washer	PFA-035	1
8	M9x12.5 Wave Washer	PFA-036	1
9	M8 Retaining Ring	PFA-037	1
10	M8x1.0x16 Hex Head Bolt	PFA-038	7
11	Front Rail	PFA-039	1
12	Rear Rail	PFA-040	1
13	Main Tube (includes items 14-15)	PFA-041	1
14	Main Tube Endcap	PFA-042	2
15	Main Tube Ruler	PFA-043	1
	30" Premium Extension Table Assembly (items 16-18)	PFA-T30	1
16	Extension Table	PFA-044	1
17	Extension Table Mounting Bracket	PFA-045	1
18	M4x1.59x16 Button Head Phillips Screw	PFA-046	10

SawStop, LLC
9564 S.W. Tualatin Road
Tualatin, Oregon 97062
www.sawstop.com

Main Phone - (503) 570-3200
Service - (503) 582-9934
Fax - (503) 570-3303
Email: info@sawstop.com

Updates of this manual may be available at www.sawstop.com.

Copyright SawStop, LLC. All Rights Reserved.
SawStop is a registered trademark of SawStop, LLC.

July 2010