

TRIANGLE ENGINEERING OF ARKANSAS, INC.

1101 N. Redmond Road * Jacksonville, Arkansas 72076

501-982-7558 * 800-255-9014 * FAX 501-982-5691

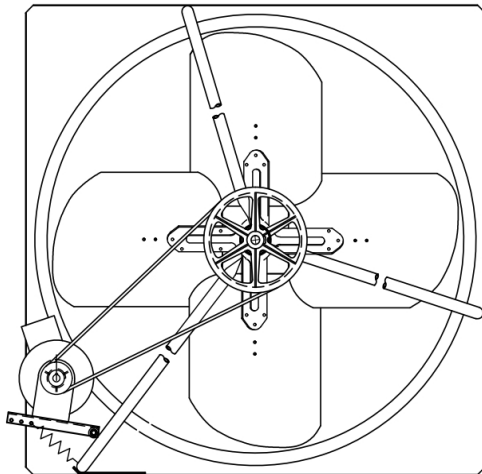
www.trianglefan.com

email: office@trianglefans.com

The CC series Whole House Fans may be mounted vertically, however the AS and CSS shutters will not function properly in the vertical position.

We do not carry a ceiling shutter for vertical installation.

When mounting the Whole House Fan vertically, care must be taken to maintain belt tension and properly secure the fan.



Maintaining belt tension:

The CC series whole house fans are provided with a spring tensioned motor mount. When mounting vertically, the fan must be mounted so the weight of the motor acts to tension the belt, not loosen it. To do this, mount the fan with the motor to the lower left hand of the fan. (Viewing from inside the attic.)

The figure to the left shows the proper orientation, when viewing from the attic.

Securing the fan:

The fan is provided with a wood framing mount which has an elastic damping material. In the standard installation the fan simply sits on this framing. The fan is shipped with two small screws holding the metal fan frame to the wood framing. These screws are for shipping only, and are not large enough to secure the fan.

When mounting the fan vertically, the metal fan frame must be securely screwed to the wood framing or to the housing framing itself. **DO NOT RELY ON THE TWO SHIPPING SCREWS TO HOLD THE FAN TO THE WOOD FRAMING.**

You will have to drill screw holes in the flange of the fan frame, and screw through the flange of the fan frame into the wood framing or the house framing.