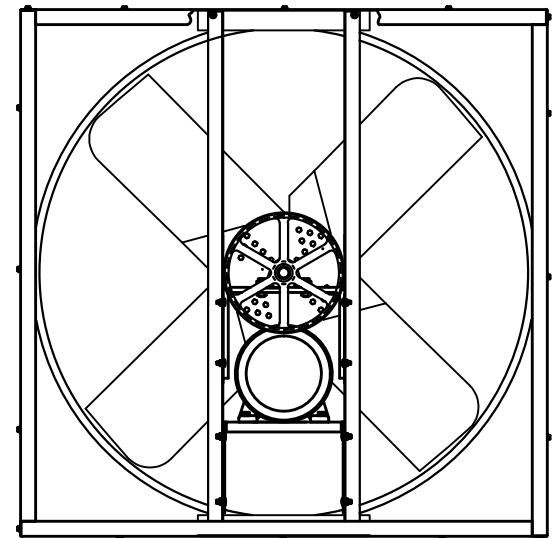
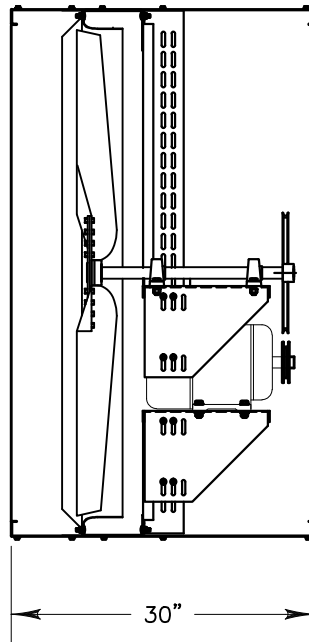



INTAKE VIEW



DISCHARGE VIEW

HORSE POWER: 2  
 VOLTAGE: 230/460V  
 PHASE: 3  
 BLADE DIAMETER: 54"

|   |                      |            |
|---|----------------------|------------|
|  TRIANGLE ENGINEERING<br>OF ARKANSAS, INC. | RVI5417X<br>WALL FAN |            |
|   | RVI5417X             | REV        |
| DR. BY: TOM KING  | CKD.                 | APP.       |
| SHEET 1 OF 1  | NOT TO SCALE         | 7 OCT 2015 |