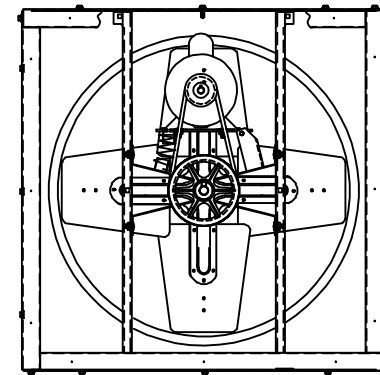
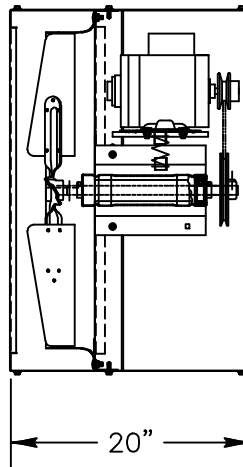


DISCHARGE VIEW



INTAKE VIEW

TRIANGLE ENGINEERING  
CERTIFIED DRAWING

BY:  
FOR:  
DATE:  
VI2412 WALL FAN, 1/3 HP  
115V, 1 PHASE  
BLADE DIA 24"



TRIANGLE ENGINEERING  
OF ARKANSAS, INC.

VI2412  
WALL FAN

L-VI2412

REV

DR. BY: TOM KING

CKD.

APP.

SHEET 1 OF 1

NOT TO SCALE

17 OCT 2005