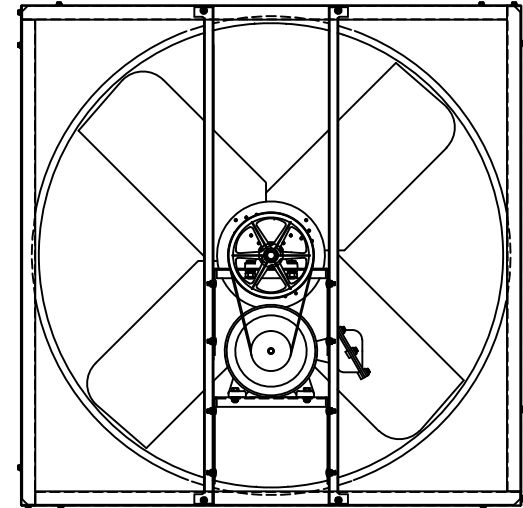
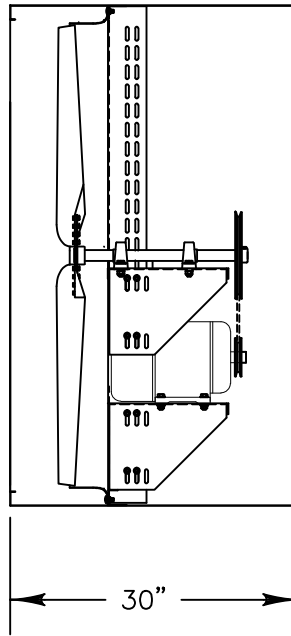



DISCHARGE VIEW



INTAKE VIEW

TRIANGLE ENGINEERING CERTIFIED DRAWING
BY:
FOR:
DATE:
VI3617 WALL FAN, 2 HP 230/460 V.
3 PHASE
BLADE DIA 36"

ALL DIMENSIONS IN INCHES
ALL DIMENSIONS $\pm \frac{1}{4}$ "

 TRIANGLE ENGINEERING OF ARKANSAS, INC.	VI3617 WALL FAN	
	L-VI3617	REV
DR. BY: TOM KING	CKD.	APP.
SHEET 1 OF 1	NOT TO SCALE	31 JAN 2014