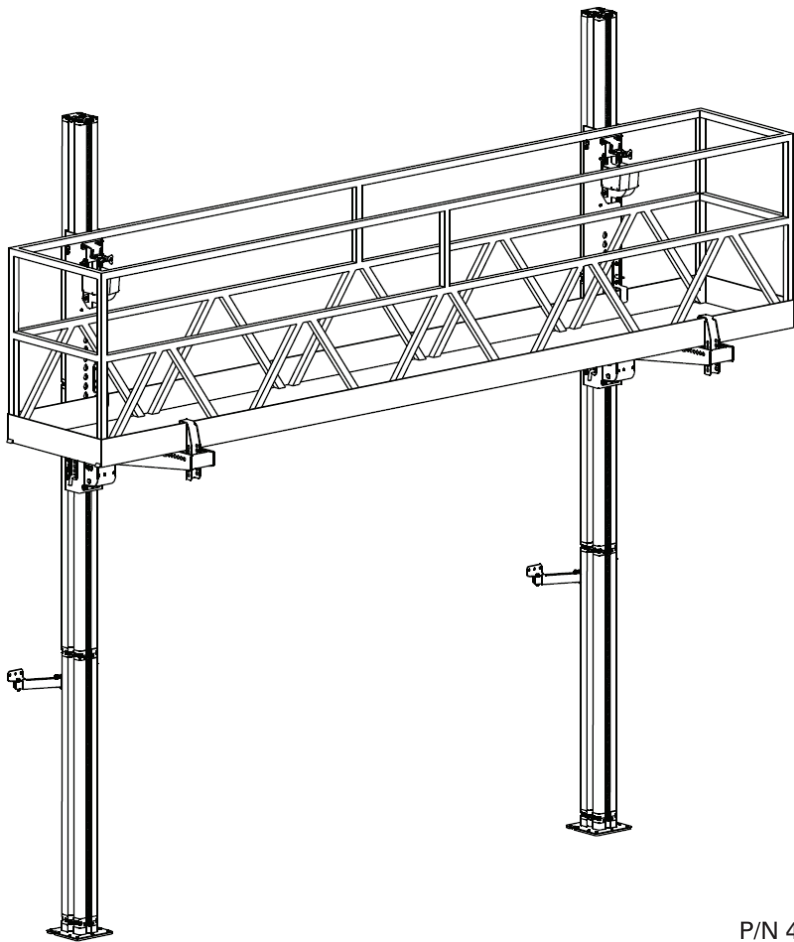


ReechCraft™
PowerMAST™

www.reechcraft.com/powermast

OPERATOR'S SAFETY MANUAL



P/N 4026288



GENERAL INFORMATION

ReechCraft
PowerMAST

www.reechcraft.com/PowerMast

© 2019 by ReechCraft Inc. All rights reserved

This manual may not be reproduced, photocopied, copied, duplicated or translated without prior written consent from ReechCraft Inc.

This ReechCraft Inc. product is patented and protected in the United States US Patent 6981573. All other US and International Patents Pending.

Using this product in methods not indented by ReechCraft Inc. are strictly prohibited without prior written permission from ReechCraft Inc.

Product General Information:
Model – PowerMast

ReechCraft Inc.
845 34th St S
Fargo, ND 58102
888-600-6160
www.reechcraft.com

REVISION LOG

Updated Version of Manual	April, 2019 v 1.2
Updated Version of Manual	September, 2018 v 1.1
Original Version of Manual	June, 2013 v 1.0

TABLE OF CONTENTS

GENERAL INFORMATION	4
WARRANTY	4
SAFETY GUIDELINES	6
SAFETY GUIDELINES	6
SECTION - 1 - GENERAL SYSTEM INFORMATION	
System Configurations.....	7
Climbing Unit.....	9
Mast and Base Assembly	10
Platform Support Assembly.....	11
Tie Assembly.....	12
Specifications.....	13
SECTION - 2 - LAYOUT PLANNING	
Layout Plan.....	23
Ground Preparation.....	25
Tie Planning	25
SECTION - 3 - ERECTING THE SYSTEM	
Pre-Assembly	26
Erect Base Unit.....	28
Assemble Platform Support	30
Attach Platform	32
Adding Height.....	34
Free-Standing Base Special Instructions	18
SECTION - 4 - POWER SYSTEM INSTALLATION	
Power System Installation	38
Driver Installation	38
Drill Installation.....	39
Power Cord Installation.....	40
SECTION - 5 - OPERATING THE SYSTEM	
Operating Work Platform.....	42
SECTION - 6 - TRANSPORT, STORAGE AND MAINTENANCE	
Transport, Storage and Maintenance.....	44
Inspection and Maintenance Logs	45

GENERAL INFORMATION

ReechCraft, Inc. North American End-User Limited Warranties

Thank you for purchasing a Reechcraft product. Please read the following warranty for details about Reechcraft's Limited Manufacturer's Warranty (the "End-User Warranty").

By using the Products (as defined below) you agree to the following provisions, which contain limitations on warranties and liabilities and on your remedies.

All new Reechcraft equipment with serial numbers and date-coded gearboxes (the "Product") must be registered at www.reechcraft.com/warrantyregistration to activate the Product's End-User Warranty.

Reechcraft, Inc.'s ("Reechcraft") End-User Warranty applies to new Product only that is manufactured after September 1, 2018. The End-User Warranty is solely for the benefit of the original end-user who purchases the Product from an authorized reseller of Reechcraft Product (the "End-User") and is a "manufacturer's" warranty provided directly by Reechcraft to the End User, effective on the End User's original date of purchase. For purposes of this End-User Warranty, an authorized reseller of Reechcraft Product shall be referred to herein as "Reseller." In the event a Reseller leases Product to a customer of the Reseller with or without consideration, the End-User Warranty shall apply to the Reseller only and NOT to a lessee of the Product.

Reechcraft warrants all Product for a period of 12 months and all other components and accessories for a period of 90 days from the End-User's original date of purchase (the "Warranty Period"). The End-User Warranty is non-transferable by the End-User and only applies to Product manufactured after September 1, 2018.

During the Warranty Period, Reechcraft warrants Products to be free from defects in materials and workmanship. Reechcraft's obligation and liability on any Products that Reechcraft has determined to have been defective in materials or workmanship shall be limited to the repair or replacement of the Product, at the sole option of Reechcraft. Such replacement parts shall be provided at no cost to the End-User. Replacement parts and components provided under this End-User Warranty will continue to be covered until the end of the Warranty Period. Replacement parts and components purchased by the End-User from Reechcraft or a Reseller beyond the expiration of the Warranty Period will carry its own 90-day End-User Warranty.

All Products purchased by the End-User must be registered at www.reechcraft.com/warrantyregistration within 60 days of End-User's purchase for the End-User Warranty to be activated. In the event an End-User fails to register the Product within the 60-day period, this End-User Warranty will not apply. Reechcraft reserves the right to request maintenance records of defective parts prior to settling any warranty claim, as well as to deny such claim if maintenance records are not available or not compliant with the Product's maintenance schedules. All warranty claims must be submitted in writing as outlined in the claims procedure section, which can be obtained at www.reechcraft.com/warrantyclaim or by calling 1-888-600-6160.

What the End-User Warranty Does NOT cover:

This End-User Warranty does not cover any Product (a) for which you are

not the original purchaser; (b) that is repaired after the Warranty Period has expired; (c) manufactured before September 1, 2018; (d) normal wear and tear; (e) that has been installed other than per the Product's instruction guidelines; (f) that has been improperly maintained or maintained, altered, modified, or repaired, other than by Reechcraft or by a Reechcraft authorized service center; (g) on which the serial number has been altered, removed or rendered illegible; (h) that has been physically damaged, other than by Reechcraft or a Reechcraft Reseller; (i) accidents, failure to follow instructions, use outside the scope of any other provided documentation (e.g., warning or instruction labels, owner's manual, installation instructions, etc.), misuse, abuse, neglect, fire, flood or acts of God; or (j) any warranties provided by the Reseller of the Product.

Misuse may include, but is not limited to, damage to Product by vehicles, tools, people, animals, the use of products beyond rated capacity, and using a Product in any matter contrary to the warning or instruction labels on the Product and the Product's owner's manual. Manuals can be obtained by contacting Reechcraft at 1-888-600-6160 or at www.reechcraft.com.

This End-User Warranty does not cover any labor, including repair labor, travel time or mileage for pickup and delivery, shipping or freight costs, or lost income for down time. Additionally, this End-User Warranty does not cover any duties, taxes, or environmental fees, including but not limited to, the disposal or handling of materials.

Parts purchased or sourced by suppliers other than Reechcraft or a Reechcraft Reseller are not covered under this End-User Warranty. Under no circumstances will Reechcraft be responsible for any expense in connection with any repairs using unauthorized parts or in connection with any repairs made by anyone other than a Reseller the Product or other Reechcraft authorized service station, unless such repairs have been specified in writing from Reechcraft.

THIS END-USER LIMITED WARRANTY IS IN LIEU OF ALL OTHER EXPRESS OR IMPLIED WARRANTIES. THIS END-USER WARRANTY IS THE SOLE AND EXCLUSIVE REMEDY OF THE END-USER, WHICH IS THE REPAIR OR REPLACEMENT OF PARTS TO THE AFFECTED PRODUCT. TO THE EXTENT PERMITTED BY APPLICABLE LAW, REECHCRAFT EXPRESSLY DISCLAIMS ALL WARRANTIES, REPRESENTATIONS OR CONDITIONS OF ANY KIND, EXCEPT AS EXPRESSLY STATED HEREIN. REECHCRAFT DISCLAIMS ALL WARRANTIES OR GUARANTEES, ORAL OR WRITTEN, EXPRESS OR IMPLIED (FROM ANY COURSE OF DEALING OR USAGE OF TRADE), INCLUDING BUT NOT LIMITED TO ANY WARRANTY OF NON-INFRINGEMENT, WARRANTY OF MERCHANTABILITY OR FITNESS FOR A PARTICULAR PURPOSE.

THIS END-USER LIMITED WARRANTY MAY NOT BE MODIFIED, EXTENDED OR ENLARGED BY ANY REPRESENTATIVE OF REECHCRAFT OR INTERMEDIATE SALES ASSOCIATE, RESELLER OF REECHCRAFT PRODUCT OR AGENT.

IN NO EVENT SHALL REECHCRAFT, ITS DIRECTORS, OFFICERS, EMPLOYEES, OR AGENTS BE LIABLE FOR ANY SPECIAL, INCIDENTAL, CONSEQUENTIAL, PUNITIVE OR EXEMPLARY DAMAGES, INCLUDING BUT NOT LIMITED TO LOST PROFITS OR REVENUE, THE COST OF RENTAL OR REPLACEMENT EQUIPMENT,

GENERAL INFORMATION & SAFETY GUIDELINES

DOWNTIME, DAMAGE TO PROPERTY AND THIRD-PARTY CLAIMS, OR ANY OTHER COMMERCIAL OR ECONOMIC LOSSES OF ANY KIND, WHETHER BASED ON CONTRACT, TORT (INCLUDING THEORIES OF NEGLIGENCE, RECKLESSNESS, STRICT LIABILITY, OR DEFECTIVE PRODUCT LIABILITY) OR ANY LEGAL THEORY, EVEN IF ADVISED OF THE POSSIBILITY OF SUCH DAMAGES OR THEY ARE FORESEEABLE, ARISING OUT OF THE END-USER'S USE OR INABILITY TO USE THE PRODUCT.

ANY REPAIR OF THE PRODUCT UNDERTAKEN WITHOUT PRIOR WRITTEN AUTHORIZATION FROM REECHCRAFT WILL VOID THIS WARRANTY.

These warranties give the End-User specific legal rights. As the End-User, you may also have other rights which may vary from state to state. Some states do not allow the exclusion or limitation of incidental or consequential damages, so the above limitations or exclusions may not apply to every End-User.

All claims or disputes arising under or in connection with this End-User Warranty shall be governed under the laws of the State of North Dakota and the laws of the United States (without giving effect to principles of conflicts of laws). The location of any dispute shall be Fargo, North Dakota. Any provision of this End-User Warranty which is, or is deemed to be, unenforceable in any jurisdiction shall be severable from this End-User Warranty in that jurisdiction, without in any way invalidating the remaining provisions of this End-User Warranty, and any such unenforceability in that jurisdiction shall not make that provision unenforceable in any other jurisdiction.

SAFETY GUIDELINES

1. Safety comes first. To help ensure safety, always have a competent person assemble, erect, operate, transport, store and maintain this product. A competent person is defined as one who has the:
 - a. Ability to identify any present or foreseeable hazards;
 - b. Authority to take immediate corrective action;
 - c. Knowledge and training to assemble, erect, operate, transport, store and maintain the system.
 - d. Operator's manual available at all times.
 - e. Field experience to correctly assemble, erect, operate, transport, store and maintain the system.
2. Be sure to follow all guidelines set forth in the operators manual for proper assembly, erection, operation, transport, storage, and maintenance.
3. Workers exposed to hazards are required to wear personal protection equipment such as hard hats, eye wear, gloves, safety boots as prescribed by federal, state, and local authorities.
4. Make a layout plan for how your mast climbing work platform will be used for the specific task. Examine the structure and ground conditions where the system will be placed. On long walls, use multiple systems to allow for more flexibility in access. Always position masts in a position that provides a stable base and suitable connection to the structure.
5. Establish the distance of the platform to the wall or structure taking into consideration wall offsets, curves, balconies, architectural features, trees, wires, etc.
6. Be aware and refer to federal, state, and local guidelines for proper

- distance away from non-system electrical lines.
7. Be sure the ground will support the bearing forces of the system in accordance with this operators manual.
 8. Always carry out maintenance and inspection as detailed in this manual to help ensure system safety and efficiency. Be sure to manage all jobsite inventory and ensure proper inspection and maintenance has been conducted on all system components prior to use.
 9. Never make modifications to the system. Always use factory manufactured parts on the system. Modifications to the system, or configuring in a manner other than detailed in this manual and other ReechCraft publications will void the warranty and could lead to equipment damage or personal injury. If you have any questions on components or accessories and how they should be used, contact your local dealer or call ReechCraft customer service.
 10. Be sure you have the proper guardrails, endrails, midrails, and toeboards properly installed.
 11. Once system is installed and prior to operation, provide a barrier as necessary surrounding the work area below the work platform in accordance with federal, state, and local regulations. Prepare an emergency escape plan and keep a telephone list of emergency numbers.
 12. Never overload the system beyond the duty rating of 750 lbs (340 kg). Refer to the loading section of the user manual for more information. Although the system is designed with large safety factors, excessively overloading the system could create system instability or structural damage which may result in personal injury or death.
 13. The work platform should not be raised higher than 194 ft (59.1 m). For system configurations not detailed in this manual, consult with ReechCraft engineering team.
 14. Always keep hands, limbs, and clothing a safe distance away from any moving parts.
 15. Be sure all switches are off before connecting any electrical cords.
 16. When working from any platform above the ground, do not overreach. Keep proper footing and balance at all times.
 17. Be sure system is lowered to the ground prior to entering or exiting the platform.
 18. In the event of a system abnormality that could cause a safety hazard, contact the worksite supervisor immediately.
 19. The system should never be operated during an electrical storm.
 20. Wind speeds must not exceed 25 mph (11.2 m/s) during erection and dismantling. In service wind speeds must not exceed 35 mph (15.6 m/s).
 21. For repairs of service questions, contact your local dealer or call ReechCraft customer service.

GENERAL SYSTEM INFORMATION

SYSTEM CONFIGURATIONS

Fig. 1.0 Tied Configuration - Single Mast, Twin Mast

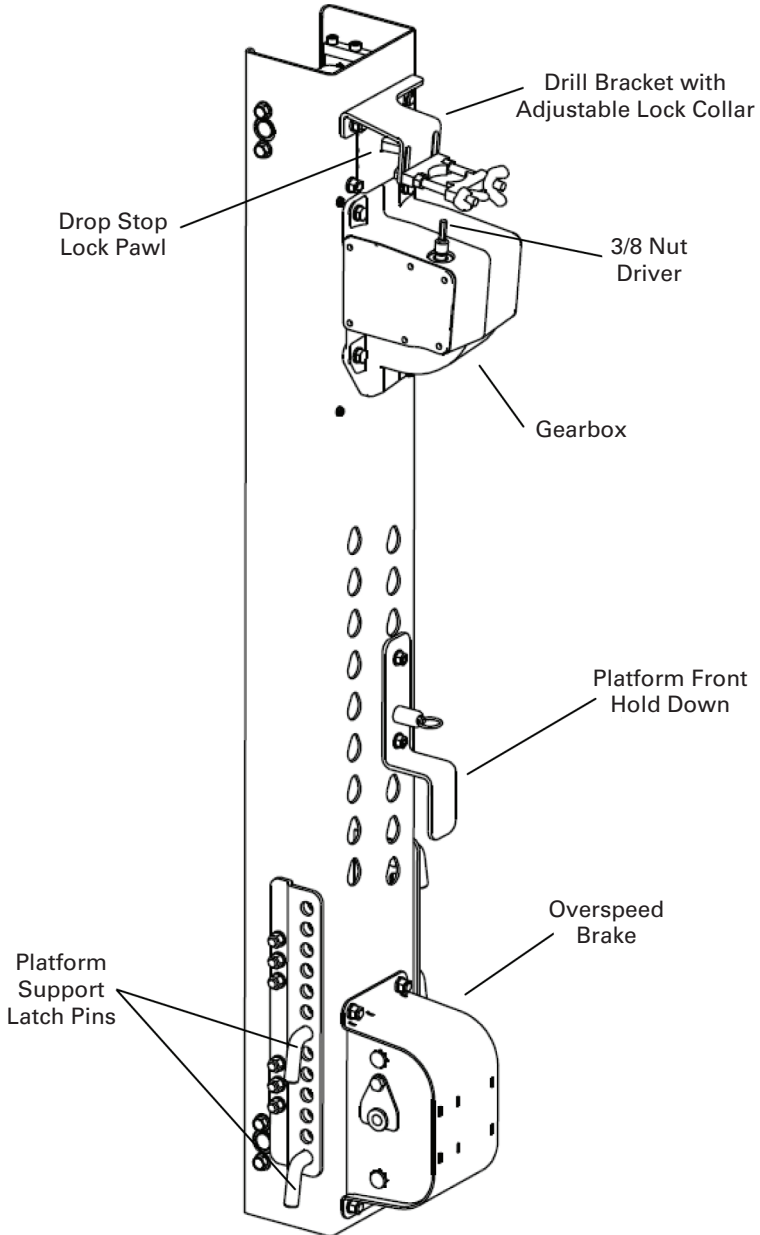


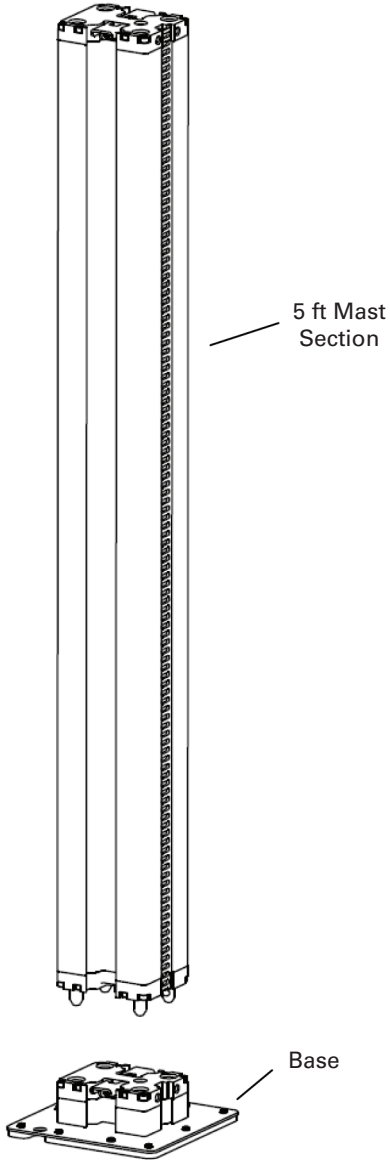
Fig. 1.1a Free-Standing Configuration - Single Mast, Twin Mast



CLIMBING UNIT

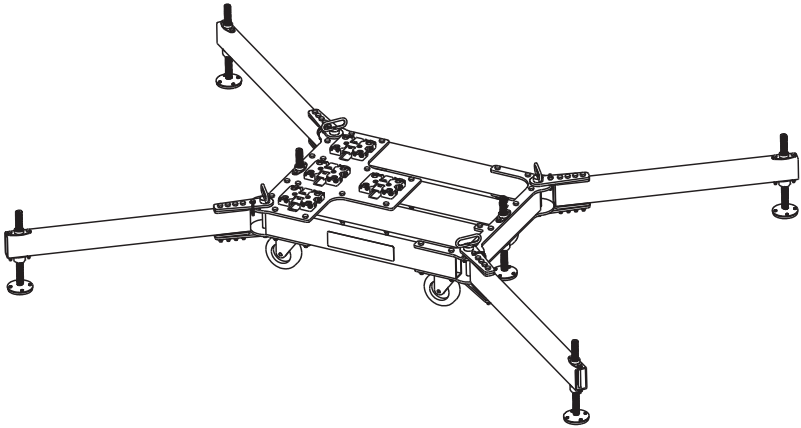
Fig. 1.2



GENERAL SYSTEM INFORMATION**MAST AND BASE ASSEMBLY****Fig. 1.3 - Base Foot Pad**

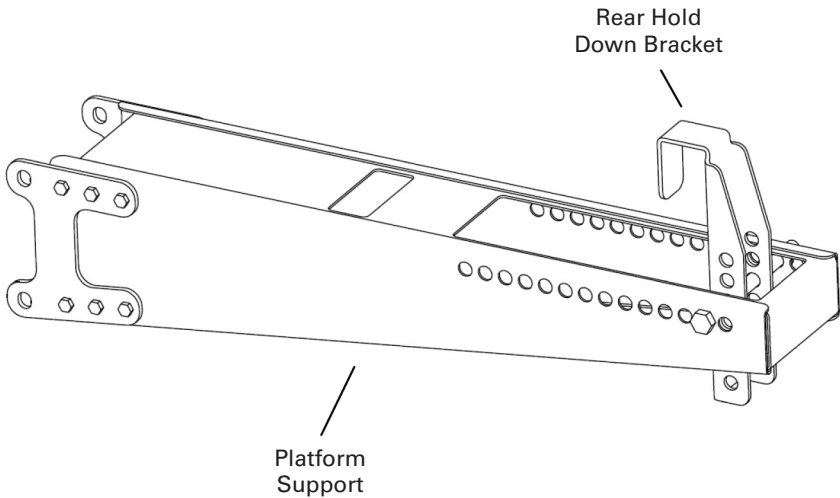
MAST AND BASE ASSEMBLY

Fig. 1.4 - Free-Standing Base



PLATFORM SUPPORT ASSEMBLY

Fig. 1.5



TIE ASSEMBLY

Fig. 1.6

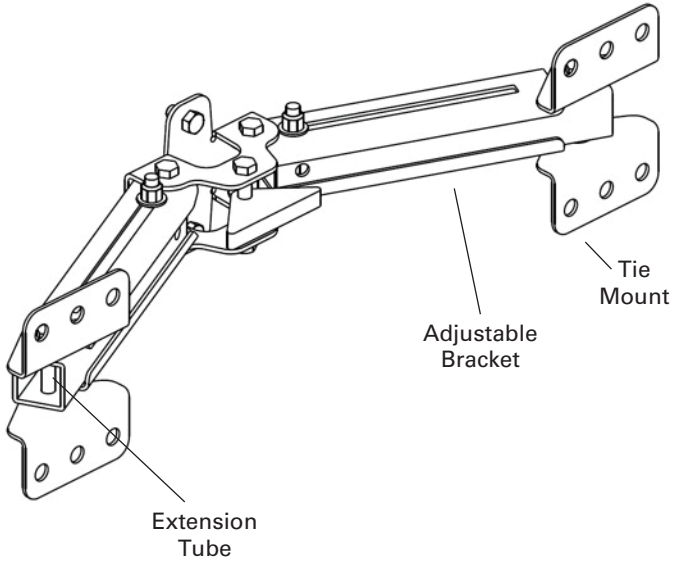
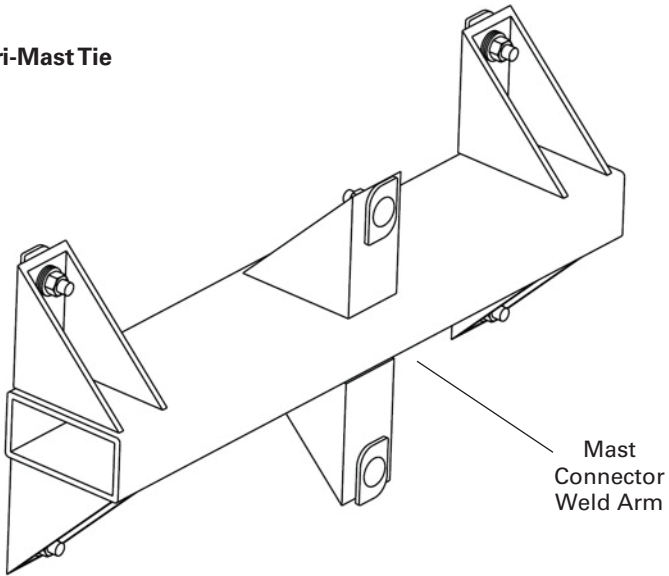


Fig. 1.7 - Tri-Mast Tie



Specifications

Fig 1.8

	SPECIFICATION	POWERMAST
PERFORMANCE		
	Rated Load Single Mast (Platform + Person(s) + Payload)	750 lbs (340 kg)
	Rated Load Twin Mast (Platform + Person(s) + Payload)	1500 lbs (680 kg)
	Maximum Climbing Speed (at Rated Load)	25 ft/min (7.6 m/min)
	Tie Pullout Force	Tied: 1500 lbs (680 kg) per Tie Free Standing: N/A
	Max Allowable Wind Speed	Tied: 35 mph (15.6 m/s) Free Standing - Indoor: 0 mph (0 m/s) Free Standing - Outdoor: 25 mph (11.2 m/s)
	Max Allowable Wind Speed (During Setup)	25 mph (11.2 m/s)
DRIVE SYSTEM AND SAFETY FEATURES		
	Safety Devices	Drop/Stop Lock Pawl, Overload Clutch, Overspeed Brake
	Emergency Lowering	Manual Hand Crank Available
	Mast Connection Type	Interference Locking Cam
	Drive System	120:1 Clutch Protected Transmission
	Required Voltage	110 VAC Single Phase
	Operating System	1/2 in. 8 amp Min Drill Motor
WEIGHTS		
	Climbing Unit Weight	62 lbs (28.1 kg)
	5 ft Mast Weight	32 lbs (14.5 kg)
	Tie Weight	7 lbs (3.2 kg)
	Platform Support Weight	29 lbs (13 kg)
	Maximum System Weight (Single)	Tied: 2241 lbs (1016 kg) Free Standing - Indoor: 2061 lbs (935 kg) Free Standing - Outdoor: 1675 lbs (760 kg)
DIMENSIONS		
	Climbing Unit (W x D x H)	10.8 x 12.3 x 56 i.n (274 x 312 x 1422mm)
	Mast (W x D x H)	5 x 6 x 58 in. (127 x 152 x 1473mm)
	Platform Support (W x D x H)	8 x 38.5 x 8 in. (203 x 978 x 203mm)
	Tie Assembly Stowed (W x D x H)	5 x 11 x 5 in. (127 x 278 x 127mm)
	Base (W x D x H)	10 x 10 x 3 in. (254 x 254 x 76mm)

Specifications - Tied Configuration

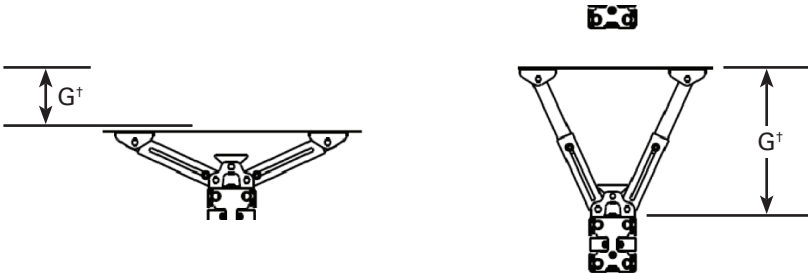
Fig 1.9

	SPECIFICATION	POWERMAST
A [†]	Single Platform Clearance (Standard Tie)	6 - 16.5 in.(152 - 419 mm)
B [†]	Twin Platform Clearance (Standard Tie)	13 - 23.5 in. (330 - 597 mm)
C	Platform Width (Single Mast)	30 in. (762 mm)
D	Platform Width Min-Max (Twin Mast)	20 - 33 in. (508 - 838 mm)
E	Platform Length (Single Mast System)	6.6 ft (2m)
F	Platform Length (Twin Mast System)	No Max if under Rated Load
G [†]	Mast Clearance (Standard Tie)	6 - 16.5 in. (152 - 419 mm)
H	Maximum Platform Height	Tied: 194 ft (59.1 m) Free Standing - Indoor: 46.2 ft (14.1 m) Free Standing - Outdoor: 26.8 ft (8.2 m)
I*	Maximum Platform Height Above Lower Tie During Use	Single Mast Tied: 0 ft (0 m) Twin Mast Tied: 5 ft (1.5 m)
J	Maximum Tie Spacing	18 ft (5.5 m)
K	Minimum Tie Spacing	4 ft (1.2 m)
**	Maximum Work Height	200 ft (61.0 m)

† Based on Standard Tie with No Platform or Tie Extensions. Call ReechCraft for more options.

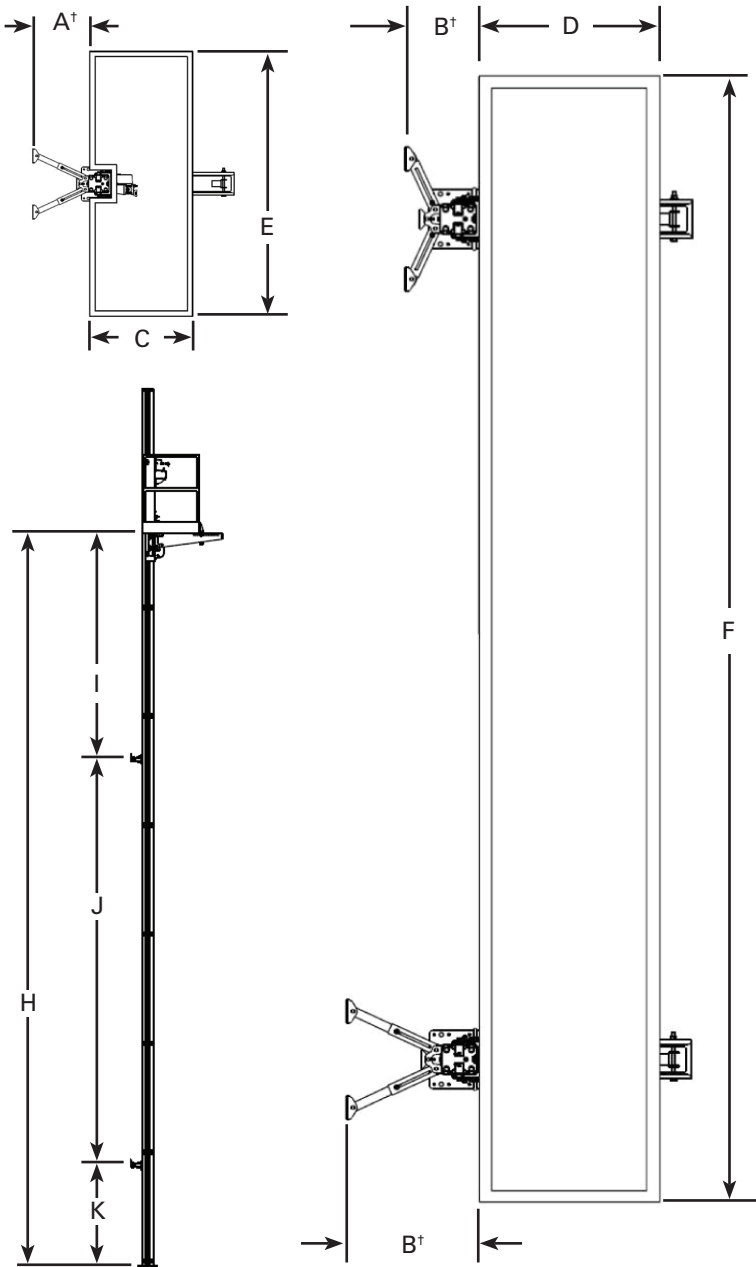
* While erecting/dismantling only, the maximum platform height above the lower tie may temporarily increase but shall not exceed 13 feet. Platform must be uniformly loaded to avoid large cantilever forces on the mast.

** Based on 6 ft above Maximum Platform Height



Specifications - Tied Configuration

Fig 1.10

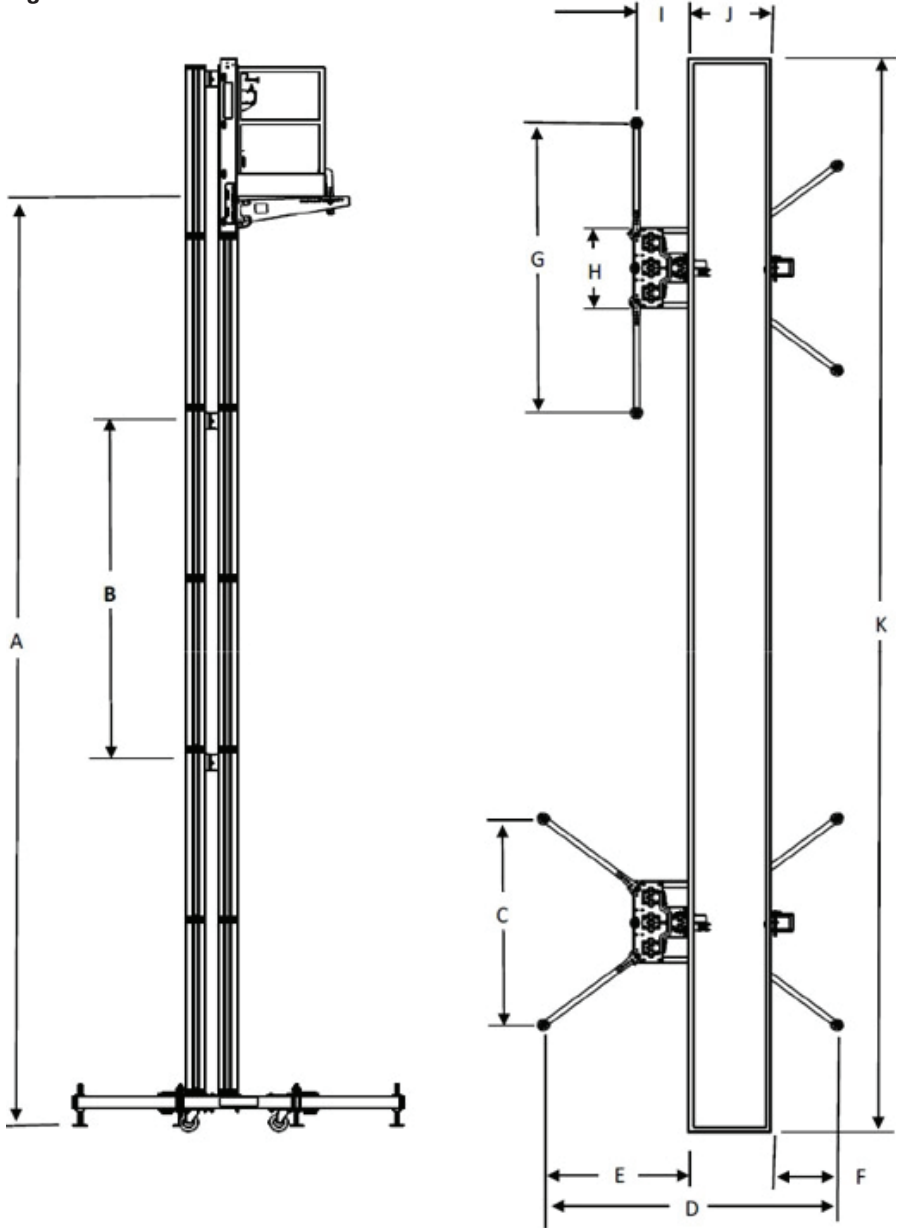


GENERAL SYSTEM INFORMATION**Specifications - Free-Standing Configuration****Fig 1.11**

	SPECIFICATION	POWERMAST
A	Maximum Platform Height - Free Standing (Outdoor/Indoor)	26.8 ft (8.2 m)/46.2 ft (14.1 m)
B	Maximum Tri-Mast Tie Spacing	10 ft (3.0 m)
C	Outrigger Width (Standard)	75 in. (1905 mm)
D	Outrigger Depth (Standard)	101 in. (2565 mm)
E	Platform Clearance Mast Side (Standard)	49.7 in. (1262 mm)
F	Platform Clearance Gearbox Side (Standard/Retracted*)	25 in. (635 mm)/0 in. (0 mm)
G	Outrigger Width (Retracted*)	106.2 in. (2698 mm)
H	Base Width	30 in. (762 mm)
I	Platform Clearance Retracted* (Standard/Alt Position**)	20 in. (508 mm)/10 in. (254 mm)
J	Platform Width Minimum - Maximum	20 in. - 33 in. (508 mm - 838 mm)
K	Platform Length (Twin Mast System)	No Maximum if Under Rated Load

Specifications - Free-Standing Configuration

Fig. 1.12



LAYOUT PLANNING

Layout Planning

1. **Tied or Free-Standing**
 - a. Consider if structure is available to tie or not.
 - b. Consider height of work and if indoor or outdoor.
2. **Single or Twin Mast?**
 - a. Consider straight runs of wall and shared setups, ground obstructions, etc.
3. **Determine Platform Length**
 - a. 6.5 ft for single mast platform or longest straight run w/o going over 750 lbs rated load on each climbing unit.
4. **Mast Locations**
 - a. What is the mast distance from the wall? Will there be any special provisions for ground support needed?
5. **Tie Locations**
 - a. 18 ft (5.5 m) is Maximum Tie Spacing. Consider tie locations that provide solid anchorage. Allow for areas of wall where no ties can go, requiring more ties.
6. **Component Quantities**
 - a. Climbing Units
 - b. Platform Supports
 - c. Platforms
 - d. Masts
 - e. Ties
 - f. Bases
7. **Accessory Items**
 - a. Drills
 - b. Cords
 - i. Power source location or generator needed.
 - c. Cribbing or Sill needed (extreme setups only)
 - d. Etc.

Fig 2.0 Example Setup Plan Setup 1

Description	Value	Comment
Configuration (Single or Twin)	18 ft (5.5 m)	Left Side
Platform Length (6.5 ft or other)	24 ft	
Mast Distance from Structure	6 in	
Shared Mast Setup?	Yes	Left Side
Work Height	100	
Masts [Height (ft) / 4.8] (2x for Twin)	$100/4.8 = 20.8$ (2x) = 42	
Minimum Ties Needed [Ht (ft) / 18 + 1]	$100/18+1 = 6.6 \Rightarrow 7$ (2x) = 14	14
Climbing Unit	2	
Platform Support	2	
Base	2	
Drill	2	
Extension Cords	3	100 ft
Power Strip / Splitter	2	

GROUND PREPARATION

Referring to the layout plan, examine the ground conditions to ensure the surface can support the intended load of the system. Prepare the base surface for erection, removing any debris, obstacles, or any other conditions that could lead to injury during erection. Prepare the bearing areas by leveling and/or compacting the ground surface. Add cribbing or base plates to properly support the bearing force (Fig 2.1).

Fig. 2-1

GROUND PREPARATION	
Maximum System Weight [200 ft Single Mast System with 750 lbs Rated Load or 841 lbs + 7 lbs/ft x 200]	2241 lbs (1016 kg)*
Surface Area of Base Plate	93 sq in. (600 sq cm)*
Maximum Ground Pressure on Base (200 ft + 750 lbs Load)	24 psi (1.69 kg / sq cm)*

* Note: Actual system weight is less for heights less than 200 ft. The free standing base configurations would also weight less.

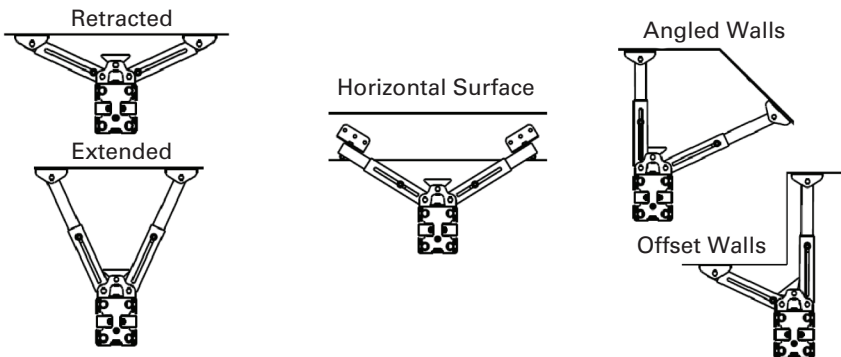
TIE PLANNING

1. Based on the layout plan, determine the location of each system and where the ties will be connecting to the structure.

Fig. 2-2

TIE REQUIREMENTS	
Maximum Tie Spacing	18 ft (5.5 m)
Total Tie Pullout Force	1500 lbs per Arm 750 lbs per Arm

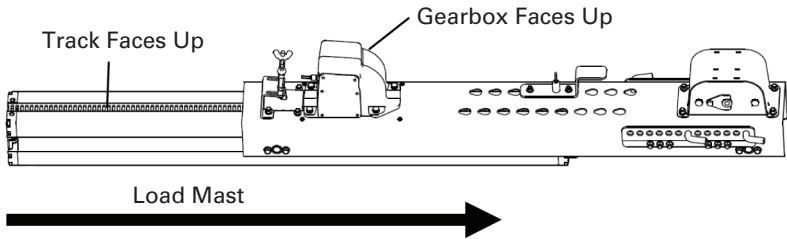
2. The Tie Assembly adjusts in several directions.
3. Refer to Fig 2.3 for some tie configuration examples.

Fig. 2.3 Example Tie Configurations

PRE-ASSEMBLY

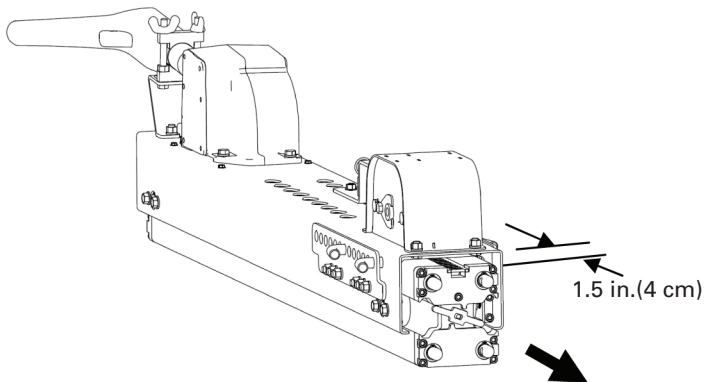
1. Position the mast horizontally on the ground (track up) and slide on the climbing unit (gearbox up), engaging the gearbox drive gear to the mast track.

Fig. 3.0



2. Use the drill to extend the mast through bottom rollers.

Fig. 3.1



ERECTING THE SYSTEM

PRE-ASSEMBLY (CONT'D)

- Secure the base to the bottom of the mast.

Fig. 3.2

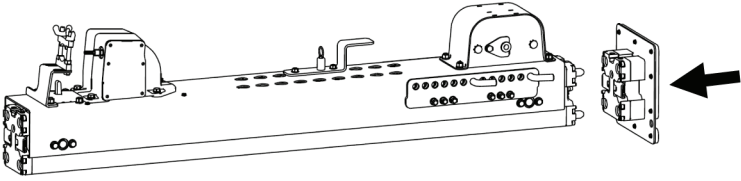
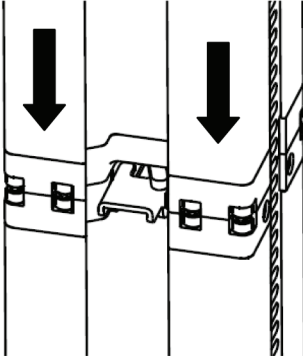
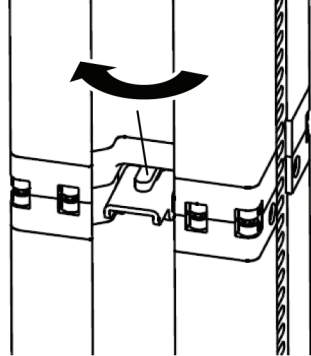


Fig. 3.3

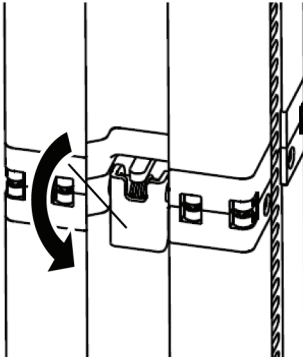
- Align track and place together



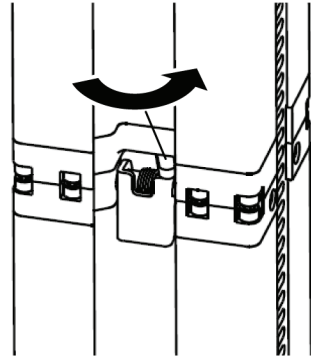
- Rotate Cam Lock Lever



- Rotate Cam Lock Lever (both sides)



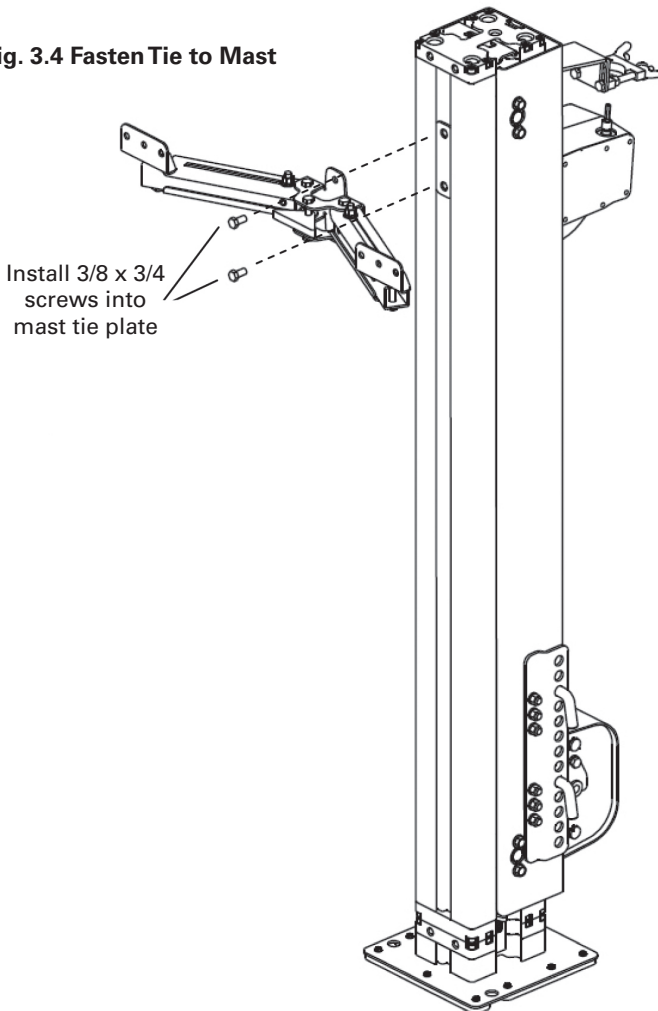
- Close Cam Lock Lever



ERECT BASE UNIT

1. Erection should only be carried out by a competent person, and in compliance with all local, state, and federal requirements.
2. Refer to the layout plan to determine the complete list of equipment required for erection. Be sure all components have been inspected and maintained in accordance with product labels on the unit and information contained in this manual, or any other documents supplied by ReechCraft technical team.
3. Fasten Tie to Mast near the top with two $3/8 \times 3/4$ in. screws and hand tighten.

Fig. 3.4 Fasten Tie to Mast

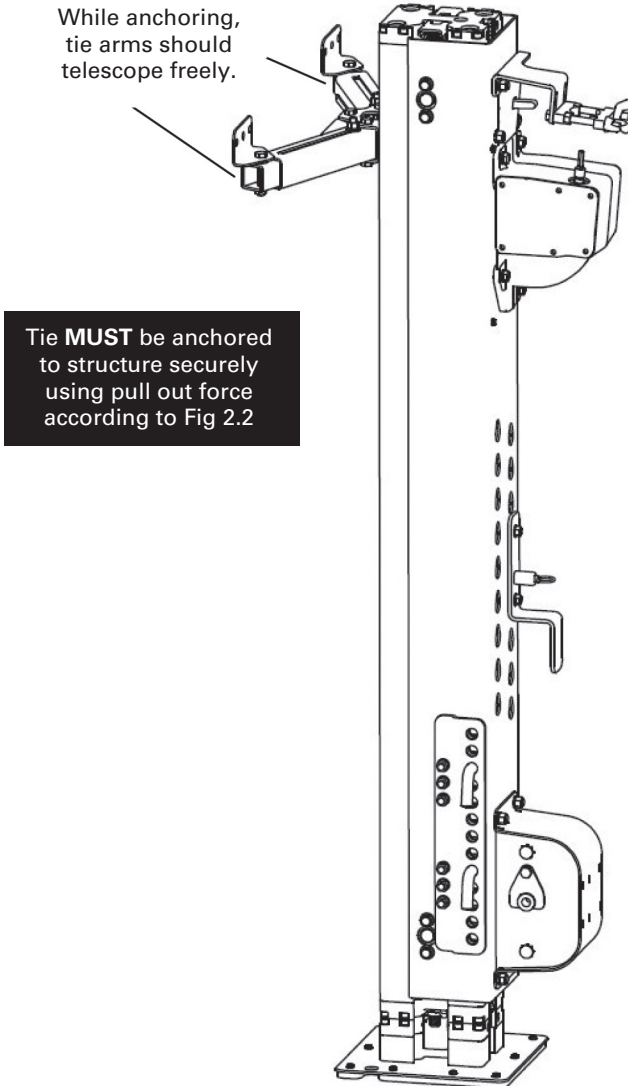


ERECTING THE SYSTEM

ERECT BASE UNIT (CONT'D)

4. Loosen bolts so tie arms adjust freely.
5. Anchor tie to structure. Adjust tie vertically if necessary.
6. Move mast to desired position and tighten extension tube bolts.
7. Fully secure every bolt connection on tie before proceeding.

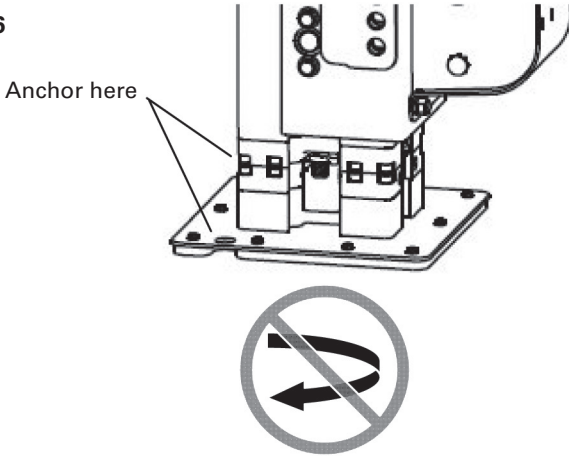
Fig. 3.5 Anchor Tie to Wall



ERECT BASE UNIT (CONT'D)

- Anchor points are available on the base.

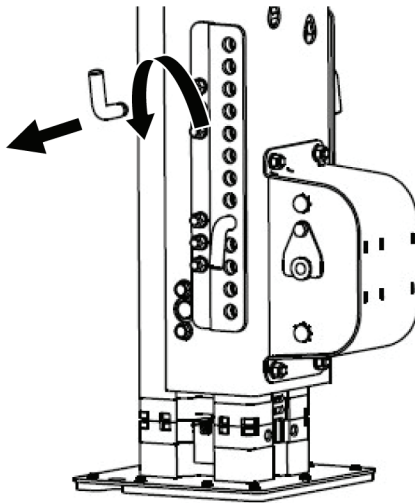
Fig. 3.6



ASSEMBLE PLATFORM SUPPORT

- Rotate pins up and remove.

Fig. 3.7

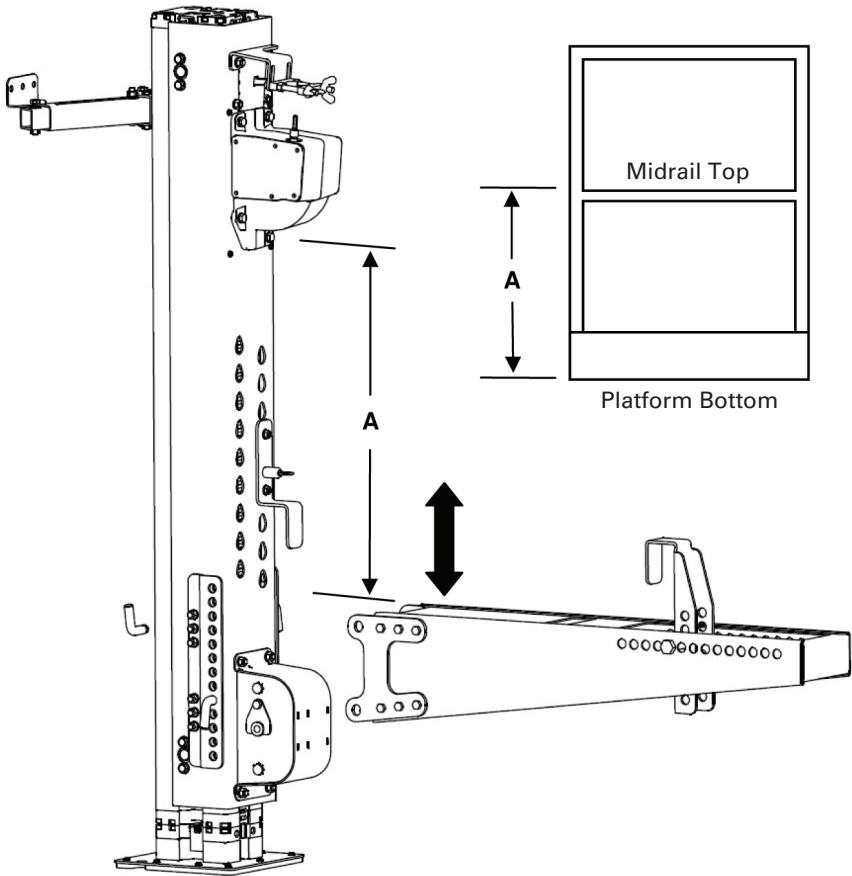


ERECTING THE SYSTEM

ASSEMBLE PLATFORM SUPPORT (CONT'D)

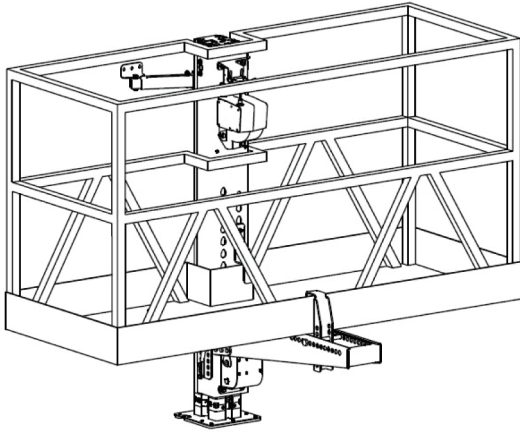
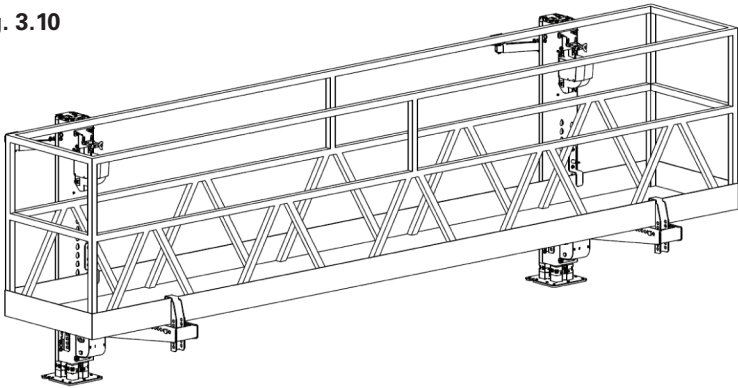
10. Measure platform bottom to midrail top. Position support so top rail is just below gearbox.

Fig. 3.8



ATTACH PLATFORM

11. Attach platform to platform support(s).

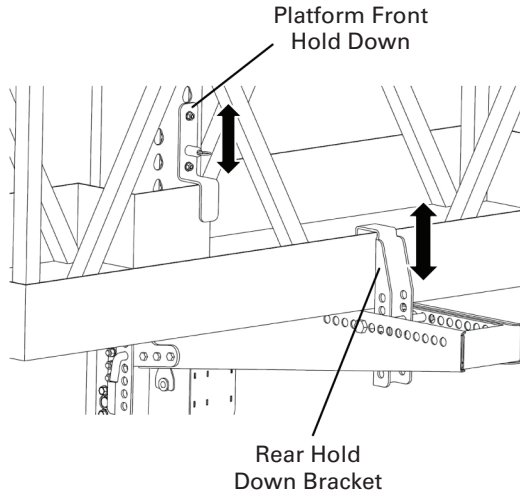
Fig. 3.9**Fig. 3.10**

ERECTING THE SYSTEM

ATTACH PLATFORM (CONT'D)

- Secure platform with hold down brackets.

Fig. 3.11

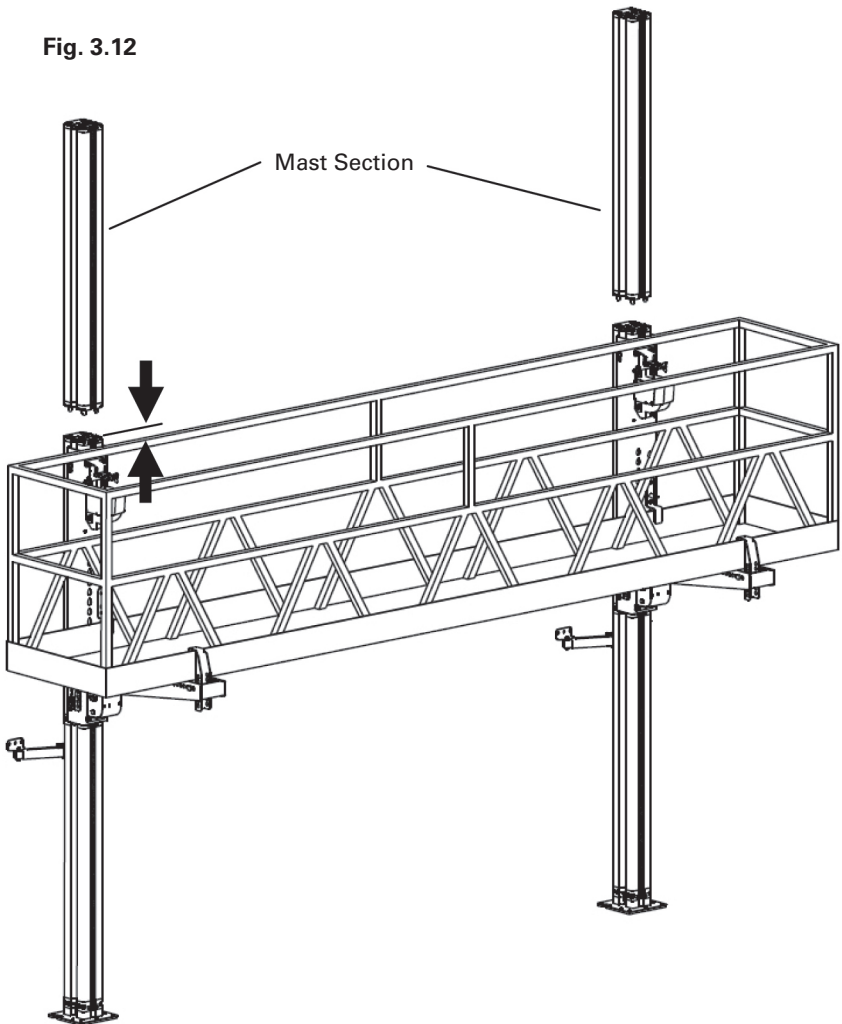


Important: Assemble so platform moves side to side up to 4 in. (2 in. per climbing unit) to allow for a temporary 10 degree angle for emergency one-operator descent. Be sure the platform only moves slightly side to side, but does not lift off the platform support in a way that creates an unstable platform, especially while walking on a cantilevered section of the platform.

ADDING HEIGHT

13. Add masts by raising the platform approximately 3 in. (7.5 cm) below top of the mast. Connect the masts. (Fig 3.12).

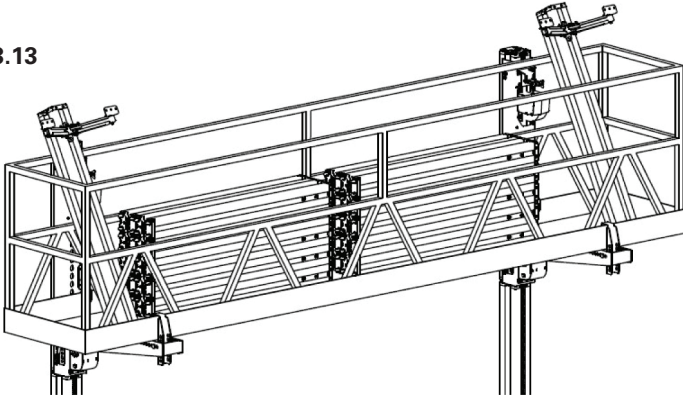
Note: Refer to Section 4 for Power System Installation.



ERECTING THE SYSTEM**ADDING HEIGHT (CONT'D)**

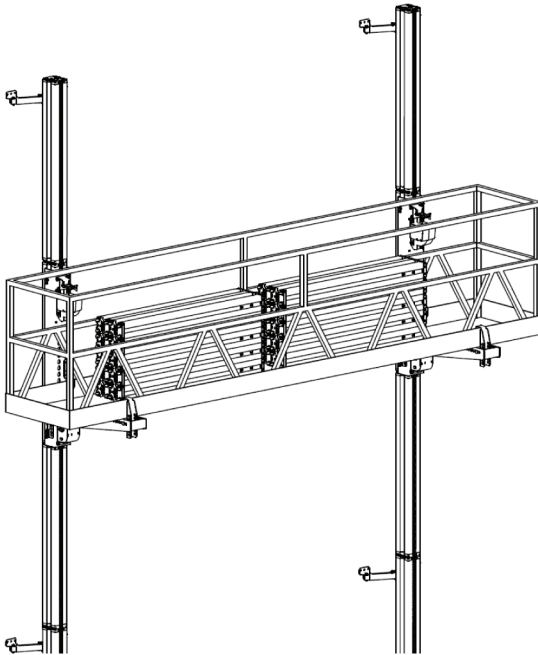
14. Fasten tie to mast in platform before stacking. (Fig 3.13).

Fig. 3.13



15. Stack masts and raise up to untied ties. (Fig 3.14).

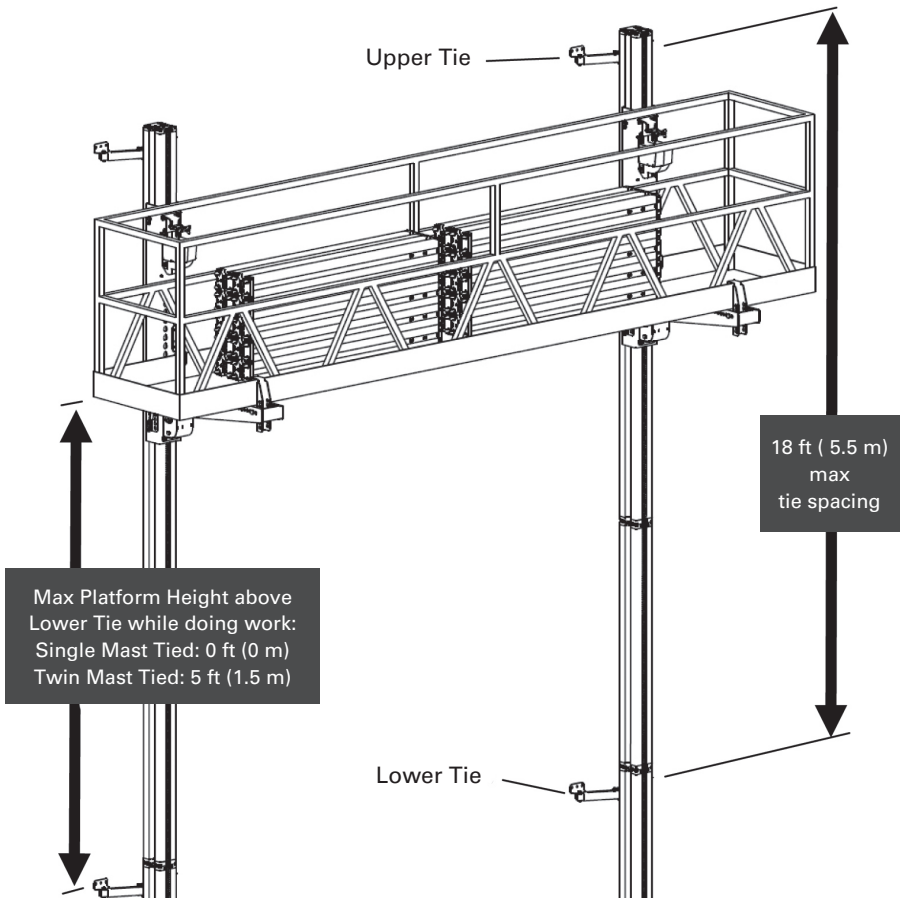
Fig. 3.14



ADDING HEIGHT (CONT'D)

16. Anchor the upper tie a maximum distance of 18 ft (5.5 m) from the lower tie. (Fig 3.15).
17. When possible, it is recommended to tie at the top of the highest mast to increase platform rigidity.

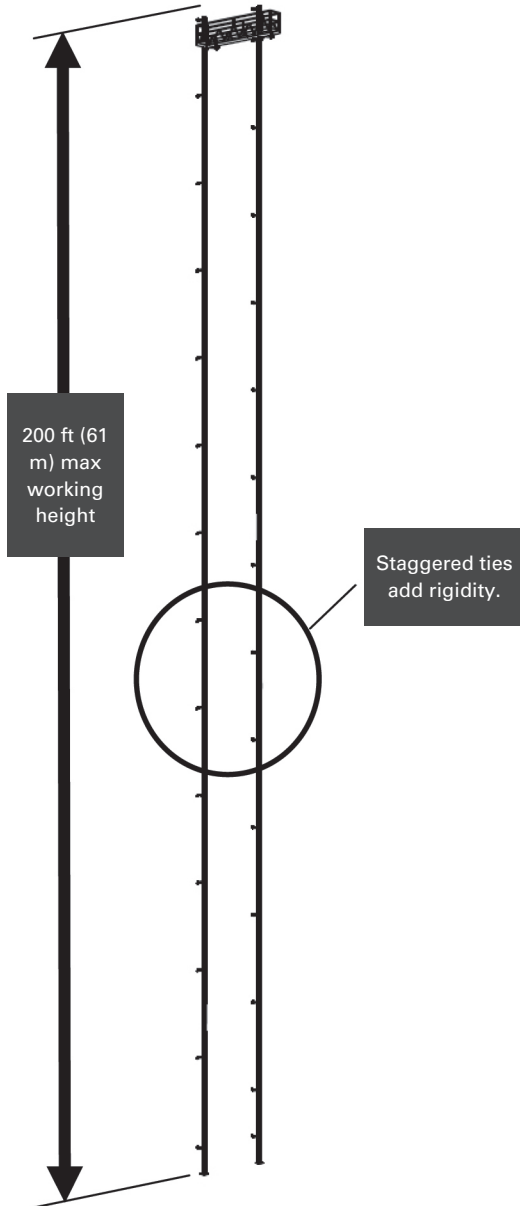
Important: For a Single Mast Tied configuration, you shall not do work above a tie. For a Twin Mast Tied configuration, it is allowable to work while the platform is a maximum of 5 ft (1.5 m) above the lower tie.



ADDING HEIGHT (CONT'D)

18. Masts can be joined together to reach the maximum platform height of 194 ft (59.1 m) or working height of 200 ft (61 m). Where possible, it is preferred to stagger ties to increase platform rigidity. (Fig 3.16).

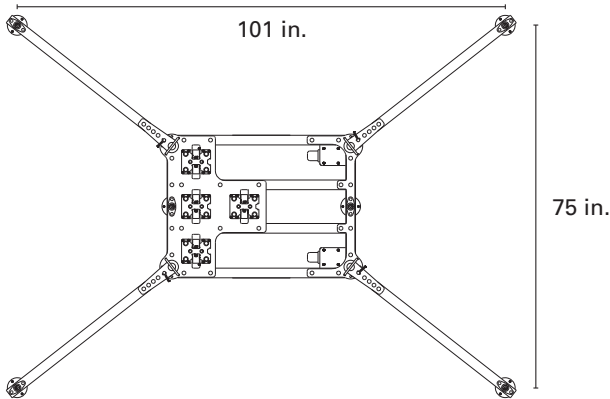
Fig. 3.16



Setting the Outriggers

Adjust the position of the outriggers to create the footprint shown below.

Fig. 1.13

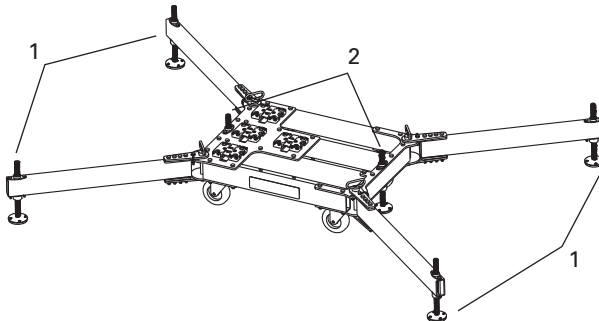


Important: This is the normal position the outriggers should be in to achieve the full ratings of the system. Consult your dealer or ReechCraft customer service for information on alternative configurations.

Leveling the Base

Using a 4 ft level, adjust the stabilizers on the outriggers until the base is level front to back and side to side. With the base level, lower the two center stabilizers so they rest on the ground.

Fig. 1.14

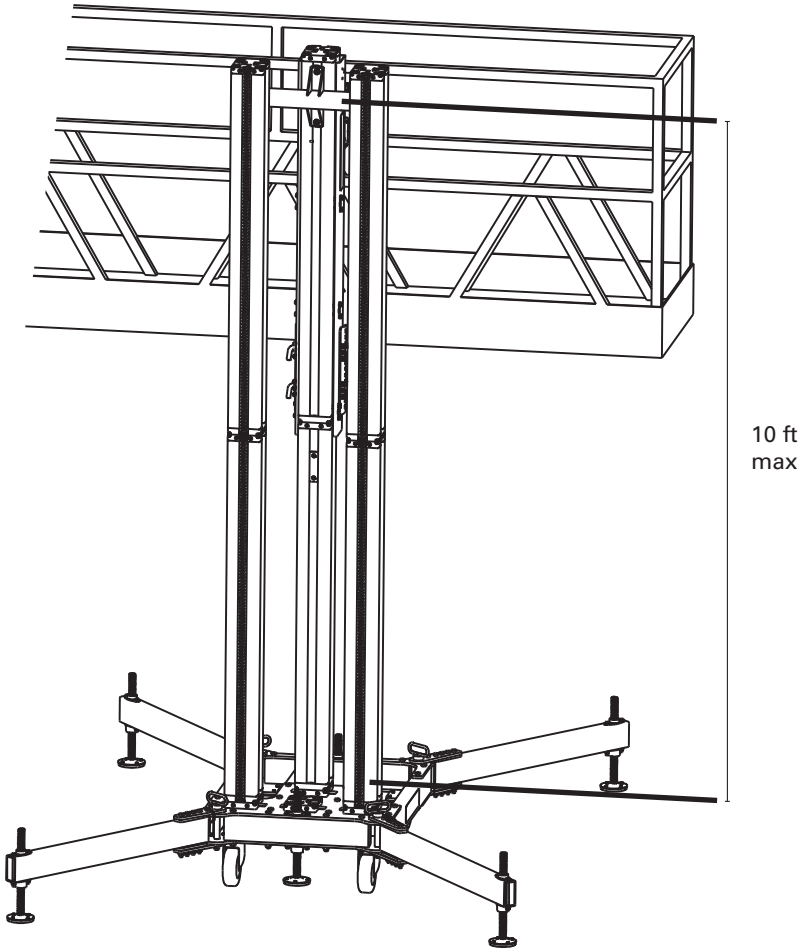


Important: The main base is designed to carry the majority of the machine weight and duty loads. The outriggers are designed to stabilize tipping loads. It may be necessary to adjust the stabilizers slightly after full setup to add more preloading on the stabilizers.

Tie Spacing

The first tie will be placed at the top of the second mast or about 10 feet above the base. Subsequent ties will be secured every 10 feet or less.

Fig. 1.15



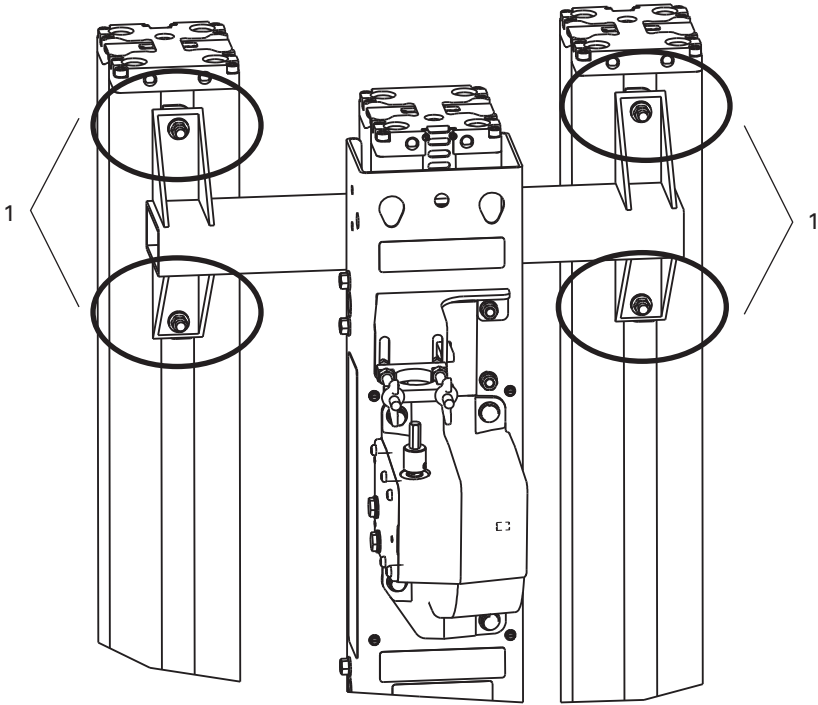
Important: Ties must be spaced every 10 feet or less.

Important: DO NOT elevate more than 5 feet above the tie directly below the platform.

Securing the Tie

Fasten the tie to both rear masts by securing the twist lock assembly. Secure all four bolts and make sure the locking flange is fully engaged into the mast channel. (See figure 1.17)

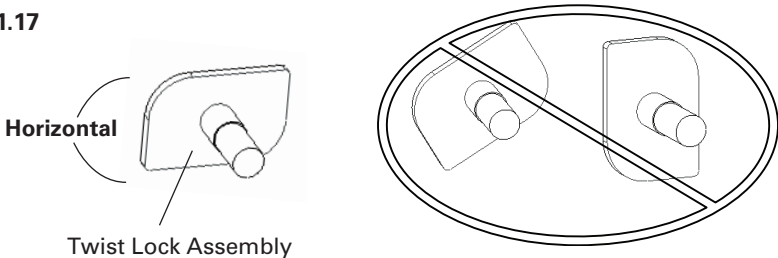
Fig. 1.16



Important: Locking flange **MUST** be fully secured into the mast channel so it is captured fully. Inspect prior to elevating past the tie.

Proper Flange Orientation

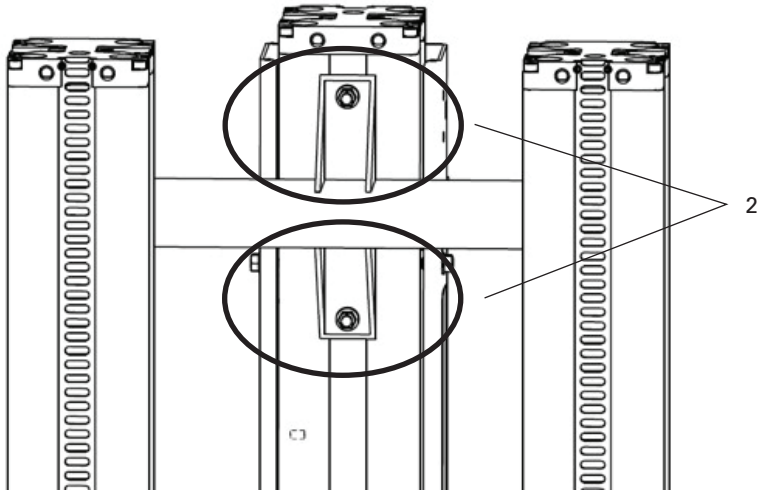
Fig. 1.17



Securing the Tie

Finish the tie installation by securing the twist lock flanges on the front mast. Note: It is recommended to use a bar clamp or ratchet strap to pull the middle mast to the tie so both hands can be used to align and tighten the connection hardware.

Fig. 1.18



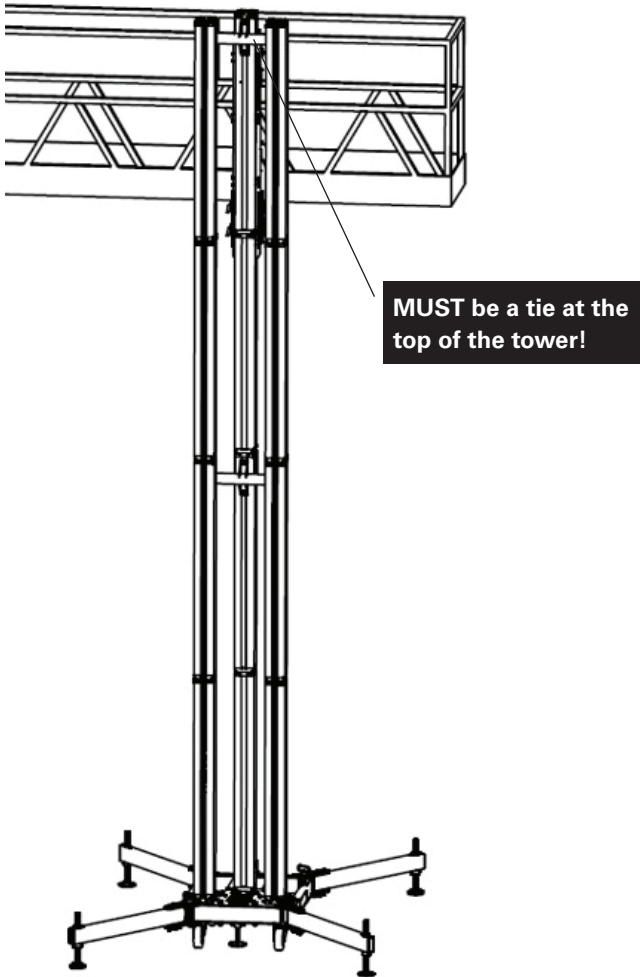
Important: Be sure all six fasteners are securely fastened before proceeding to erect more masts. Use a level to ensure your masts keep straight and vertical during the assembly process.

Finish Erecting the Tower

Finish the tie installation by securing the twist lock flanges on the front mast.

Note: It is recommended to use a bar clamp or ratchet strap to pull the middle mast to the tie so both hands can be used to align and tighten the connection hardware. (See Fig. 1.11 for maximum platform heights.)

Fig. 1.19



Important: Be sure to have a tie at the top of the tower to ensure stability. Always keep an evenly distributed load on the platform while erecting. An unbalanced load could result in a curved tower installation.

POWER SYSTEM INSTALLATION

POWER SYSTEM INSTALLATION

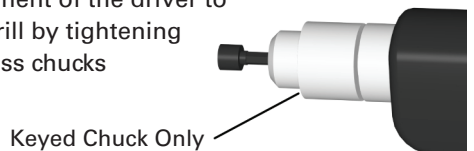
1. Installation of the electrical system should only be carried out by a competent person. Installing electrical components on the system incorrectly could lead to personal injury or death. Examine the worksite completely, locating any hazards or conditions such as standing water, sharp objects, high traffic areas, etc.
2. Important: Before installing any electrical cords, be sure all equipment has been thoroughly examined for proper function and that no cuts, breaks, or damage of any kind exists with the electrical supply cords or the electrical cords on the drills. If any electrical lines are found to be damaged or have excessive wear, discard immediately and use new equipment.
3. The PowerMast System should only be used with electrical power drills that have been tested and recommended for use by ReechCraft or your local dealer. Refer to (Fig. 4.0) for drill and electrical cord requirements.

Fig. 4-0

DRILL AND ELECTRICAL CORD SPECIFICATIONS	
No Load Speed (High Speed for 1/2 Rated Load)	0-1500 RPM (0-3000 RPM)
Output Power	600 W - 700 W
Input Power	850 W - 1050 W (7.5 - 9.5 Amps)
Maximum Operating Speed @ Rated Load (@ 1/2 Rated Load)	0-950 RPM (0-1270 RPM)
Maximum Drill Size	13mm (1/2 in)
Collar Size	42.5mm - 44.5mm (1.68in - 1.75in)
Chuck Type Normal Operation	Keyed Only (Keyless for Setup Only)
Electrical Cord Minimum Rating	15 Amp 12 Guage Lead

DRIVER INSTALLATION

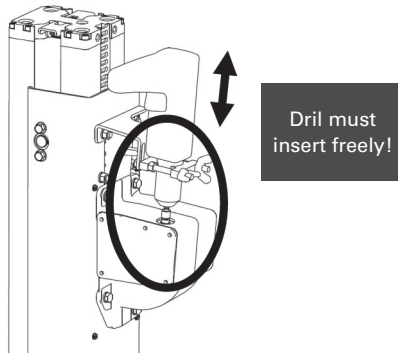
4. Assemble the supplied 3/8 in.(9.5 mm) driver to the drill. Important: Only use the driver supplied with the system or equivalent. Do not use a driver with an integrated magnet as it will not have the necessary engagement on the gearbox input shaft.
5. Be sure the flats of the driver are seated properly in the chuck jaws and that there is adequate engagement of the driver to the drill. Secure the driver to the drill by tightening the chuck with the chuck key. Keyless chucks are not permitted.



DRILL INSTALLATION

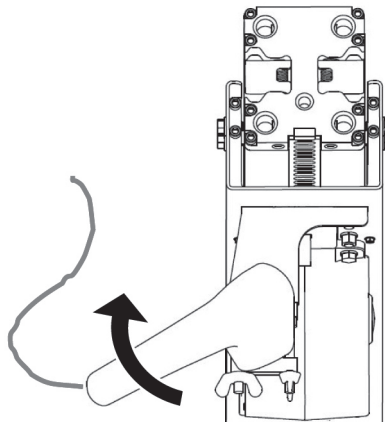
6. Check to be sure the chuck key is removed from the drill chuck before turning on the tool.
7. Place the drill with driver into the drill bracket, align the driver to the gearbox input shaft and press lightly downward until driver fully seats on the input shaft. Important: The drill with driver must be able to insert freely through the drill bracket and on to the input shaft. Remove any obstructions and make necessary adjustments so the drill can be inserted freely.

Fig. 4-2



8. The drill bracket is designed to hold the drill on the gearbox input shaft and also keep the drill body from rotating during operation. Be sure the drill bracket is secure and functioning properly before proceeding. Adjust the clasp vertically to fit the drill collar. Adjust the drill so the cord is out of the way (Fig. 4.3) and tighten the drill bracket wing nuts. Important: Periodically check and adjust the wing nuts to ensure a secure fit.

Fig. 4-3

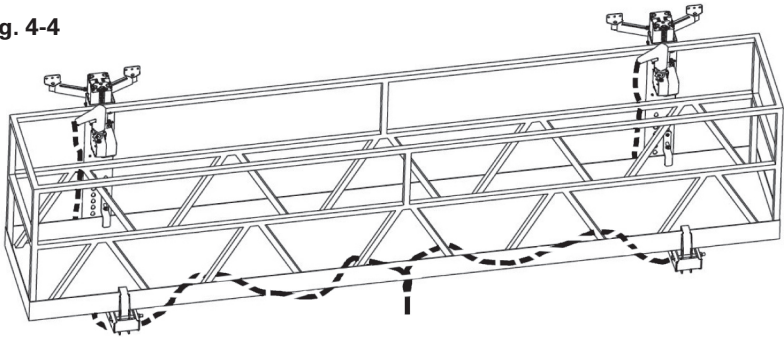


POWER SYSTEM INSTALLATION

POWER CORD INSTALLATION

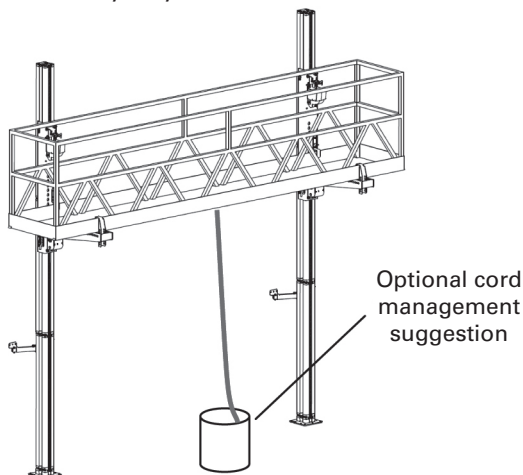
9. Repeat steps for each climbing unit.
10. Be sure that the electrical power cords are disconnected from the power source before attempting to connect the drills to the cords. Be sure the drill triggers are NOT locked in the ON position. Using appropriately sized electrical cords (Fig. 4.0) connect the drills together into 1 circuit. Be sure to properly manage the cords by securing them to the platform system (Fig. 4.4). Eliminate any conditions which would allow the electrical cords to catch on clothing, tools, materials or any other obstruction.

Fig. 4-4



11. Ensure that the cords are fastened together and joints won't disconnect during operation. Ensure there is sufficient cord for the full height of travel and that the electrical cords will hang vertically down to the ground, without interfering with the PowerMast System climbing units or work platform. Protect all cords from any sharp edges or locations that could cause wear or damage to the cords in any way.

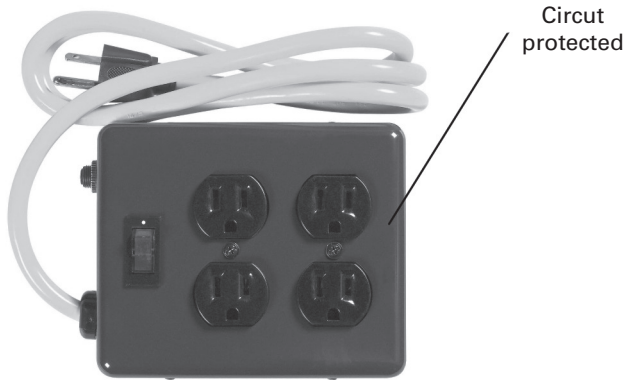
Fig. 4-5



POWER CORD INSTALLATION (CONT'D)

- In a preferred configuration, the drills can be connected into the power supply by way of an in-line power board with circuit protected switch. This configuration enables one lead to hang down to the ground circuit making cord management easier.

Fig. 4-6



Large, brightly colored extension leads recommended. (See Fig 4.0)



OPERATING THE SYSTEM

OPERATING WORK PLATFORM

1. Operation should only be carried out by a competent person, and in compliance with all local, state, and federal requirements. Be sure you are wearing the appropriate Person Protective Equipment while operating the system.
2. Load any necessary equipment, tools, and materials securely onto the system. Be sure to keep walk ways free of obstructions.
3. Re-examine the entire work environment below and above the platform to ensure there are no obstructions or personnel in the way of operation.
4. While lifting the platform, always keep hands free from any moving parts (Fig 5.0). Raise the platform by placing the drill in the forward (clockwise) position and pulling the trigger. Release the trigger to stop. Always allow the lock lever to ratchet while lifting the work platform (Fig 5.1).

Fig. 5-0

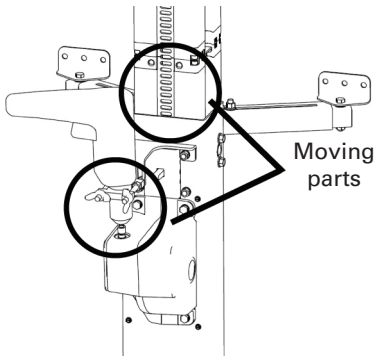
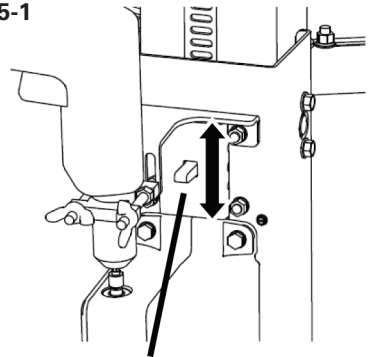
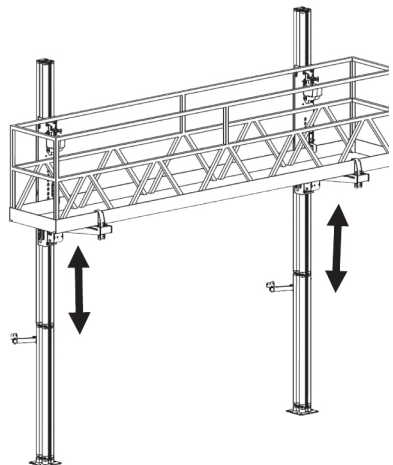


Fig. 5-1



Lock Lever will ratchet

5. Two persons are preferred to operate a Twin Mast system. Always keep the platform level while working on the platform. If only one person is on the platform, it is allowable to adjust the platform up to 10 degrees to reposition the platform to a different height.

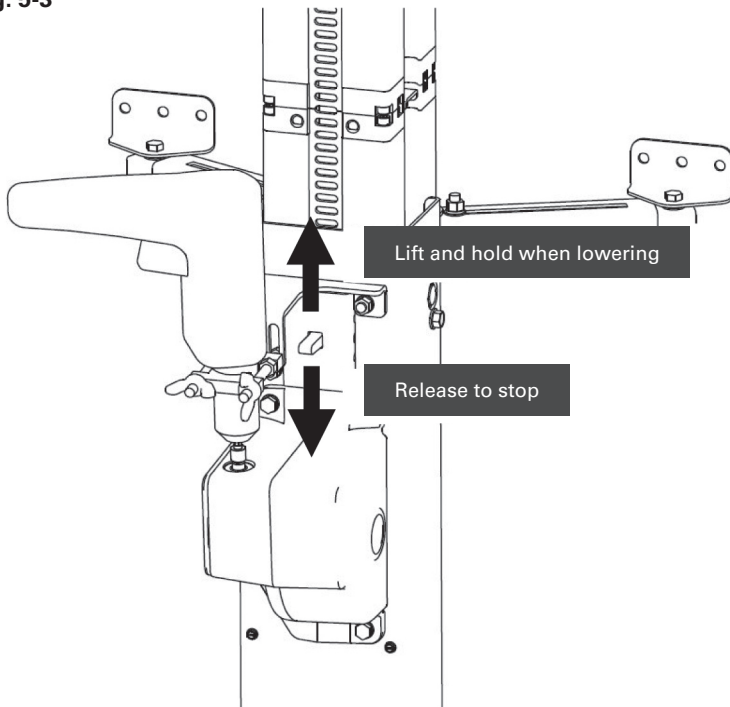


2 persons raise and lower simultaneously.

OPERATING WORK PLATFORM (CONT'D)

- To lower the work platform, reverse the drill to the counter-clockwise direction, lift up on the lock lever with the other hand, then pull the trigger on the drill while holding the lock lever. Note: On occasion, the lock lever may be engaged into the track and will need to be released before going down. Lift the system up slightly until lock lever is released, then proceed with lowering. Important: While lowering the platform, it is best to come to a complete stop by releasing the drill trigger first, coasting to a stop, and then dropping the lever. In the unlikely event that the system becomes unstable during lowering, drop the lock lever immediately. (Fig 5.3)

Fig. 5-3



TRANSPORT, STORAGE, AND MAINTENANCE

TRANSPORT

Be sure that all system components are secured properly for transport. Note: Transporting the system can cause vibrations that are unique from normal assembly, erection, and operation. Avoid methods that place excessive forces or any undue stress on the system. It is recommended to use a full enclosure for transport if possible.

STORAGE

The PowerMast System was designed for rugged outdoor use and it is suited to be stored outdoors. However, storing the system indoors is advised to maximize the life span of your investment. Keep the system component inventory organized and labeled with a physical record of component inspection and maintenance. Avoid storing equipment near standing water, ice, electrical lines, furnaces, or any other potential hazards.

INSPECTION AND MAINTENANCE

Proper and timely maintenance will help ensure the PowerMast System performs safely, efficiently, and trouble free. Follow these guidelines for inspection and maintenance. Included on the following pages are logs for daily, weekly, and annual inspection and main.

Inspection and Maintenance Logs

TRANSPORT, STORAGE, AND MAINTENANCE**DAILY INSPECTION AND MAINTENANCE LOG (1 OF 2)**

Competent Person (Print)	
Date of Inspection	
Company Name	
Jobsite	
Signature of Competent Person	
Comments	

DAILY INSPECTION AND MAINTENANCE LOG (2 OF 2)

Component	OK	Inspection/Action
Gearbox		Inspect input shaft for wear or damage. If hex is rounded or damaged in any way, replace immediately.
Lock Lever		Inspect the lock lever for any damage or excessive wear. Ensure torsion spring returns the lock lever to rest position freely and quickly. Inspect to make sure that bolts are tight and securing the lock lever assembly to the climbing unit. While raising the climbing unit, listen for audible ratcheting pattern. Pattern should be uniform both in volume and frequency.
Overspeed Brake		Ensure the overspeed brake is securely fastened to the climbing unit with the bolts
Drill Bracket		Inspect the drill bracket for any damage or misshapen parts. Check that bolts are securely fastening the drill bracket to the climbing unit. Fasten the drill to the gearbox using the drill bracket. Be sure the drill assembly with nut driver freely moves on to hex input shaft of the gearbox and engages fully. Secure the drill to the drill bracket by tightening the wing nut.
Platform Support		Inspect all platform support for any loose connections or damaged components. Ensure the support is connected securely to the climbing unit, inspecting the bolt connections and locking pins that secure them to the climbing unit. Be sure all hardware used for adjustment is present and functioning properly.
Masts		Inspect mast for damage and straightness. Discard and replace as necessary. Check for any missing screws on the track and replace. Be sure all hardware is present, secure, and fastens properly. Inspect the top stop of the mast to ensure it functions properly.
Ties		Inspect the entire tie for any loose connections, misshapen, broken or damaged parts. Discard and replace parts as necessary.
Work Platform		Inspect that guardrails are in place and functioning properly.
Drills		Check cords and nut driver. Be sure that nut driver is securely fastened. Discard or repair any damaged electrical cords.
Cords, Powerboards		Check for any damage. Discard or repair immediately.

WEEKLY INSPECTION AND MAINTENANCE LOG (1 OF 2)

Competent Person (Print)	
Date of Inspection	
Company Name	
Jobsite	
Signature of Competent Person	
Comments	

WEEKLY INSPECTION AND MAINTENANCE LOG (2 OF 2)		
Component	OK	Inspection/Action
Scheduled Maintenance		Be sure that all daily inspection and maintenance have been completed.
Gearbox		Inspect how gearbox is mounted to climbing unit. Make sure bolts are secure. Inspect casting of gearbox for any damage or leaks. Replace gearbox or call your dealer or ReechCraft for replacement parts.
Lock Lever		While holding the lock lever up, lower the climbing unit. Be sure that the lock lever can be held in the up position. While standing next to the erected mast assembly and climbing unit, lower the climbing unit and drop the lock lever, continuing to clutch the gearbox for 3 seconds. Ensure the lock lever fully engages the track and stops the climbing unit.
Overspeed Brake		Inspect the welds and drive gear for any breakage or excessive wear. Call your dealer or ReechCraft for questions on service parts.
Drill Bracket		While standing beside the climbing unit, lower the climbing unit, allowing the lock lever to fully engage the track and clutch out the gearbox for 3 seconds. When functioning properly, the drill bracket will place a small down pressure to the drill assembly and prevent the drill from rotating against the torque created by the gearbox clutch.
Masts		Inspect the gear track for any broken, misshapen, missing rungs, or excessive wear. Lug width should be at 95% of new. Discard track and replace with new if necessary. Check for any missing screws on the track and replace. Be sure all hardware is present, secure, and fastens properly. Inspect the top stop of the mast to ensure it functions properly.
Couplers		Inspect the couplers for any bends, punctures or any other damage to the tube. Inspect the rivet nuts to ensure proper thread engagement with the bolt. The rivet nut should not rotate in the hole. Discard and replace as necessary.
Base Plate		Inspect the base plate for damage and make sure the rubber is properly attached and in good condition. The locking pin must be present and working properly.
Ties		Inspect the entire tie for any loose connections, misshapen, broken or damaged parts. Discard and replace parts as necessary.

ANNUAL INSPECTION AND MAINTENANCE LOG (1 OF 2)

Competent Person (Print)	
Date of Inspection	
Company Name	
Jobsite	
Signature of Competent Person	
Comments	

ANNUAL INSPECTION AND MAINTENANCE LOG (2 OF 2)

Component	OK	Inspection/Action
Scheduled Maintenance		Be sure that all daily and weekly inspection and maintenance have been completed.
Gearbox		Completely remove the gearbox from climbing unit. Check over entire gear box for excessive wear, oil leaks, or any damage. Check to ensure input shaft and output gears are not sloppy around the bearings. Call your dealer or ReechCraft for replacement parts. Inspect drive gear for wear. If gear tooth profile is not symmetrical on 1 or more teeth, or there appears to be any damage to the gear, discard and replace immediately. Verify the clutch force of the gearbox. Be sure that all bearings, guides, and gearbox gears are functioning properly. Erect a single mast assembly with climbing unit next to a structure. Taking all necessary safety precautions and with the climbing unit less than 0.5 m off the ground, load 1000 lbs and secure to the unit (no work platforms etc.). Make sure you can lift approximately 1000 lbs without stalling. If not, call your dealer or contact ReechCraft for recommendations or service parts.
Overspeed Brake		Remove the overspeed brake from the climbing unit to allow for complete inspection. Thoroughly inspect the inside and outside of the assembly for any missing, damaged, worn, or otherwise deficient parts. Be sure all bolt and pin connections are secure. Rotate the locking pawls back and forth to ensure they move freely and that the springs are functioning properly. While holding the assembly, move the drive gear back and forth and different speeds. In one direction, the assembly should continue to ratchet without engaging the locking pawls. In the other direction, when you rapidly rotate the drive gear, 1 of the 2 pawls should engage the cam follower, stopping the drive gear.

ReechCraft™
PowerMAST™

Reechcraft Inc.
845 34th St S
Fargo, ND 58102
888.600.6160

www.reechcraft.com/PowerMast