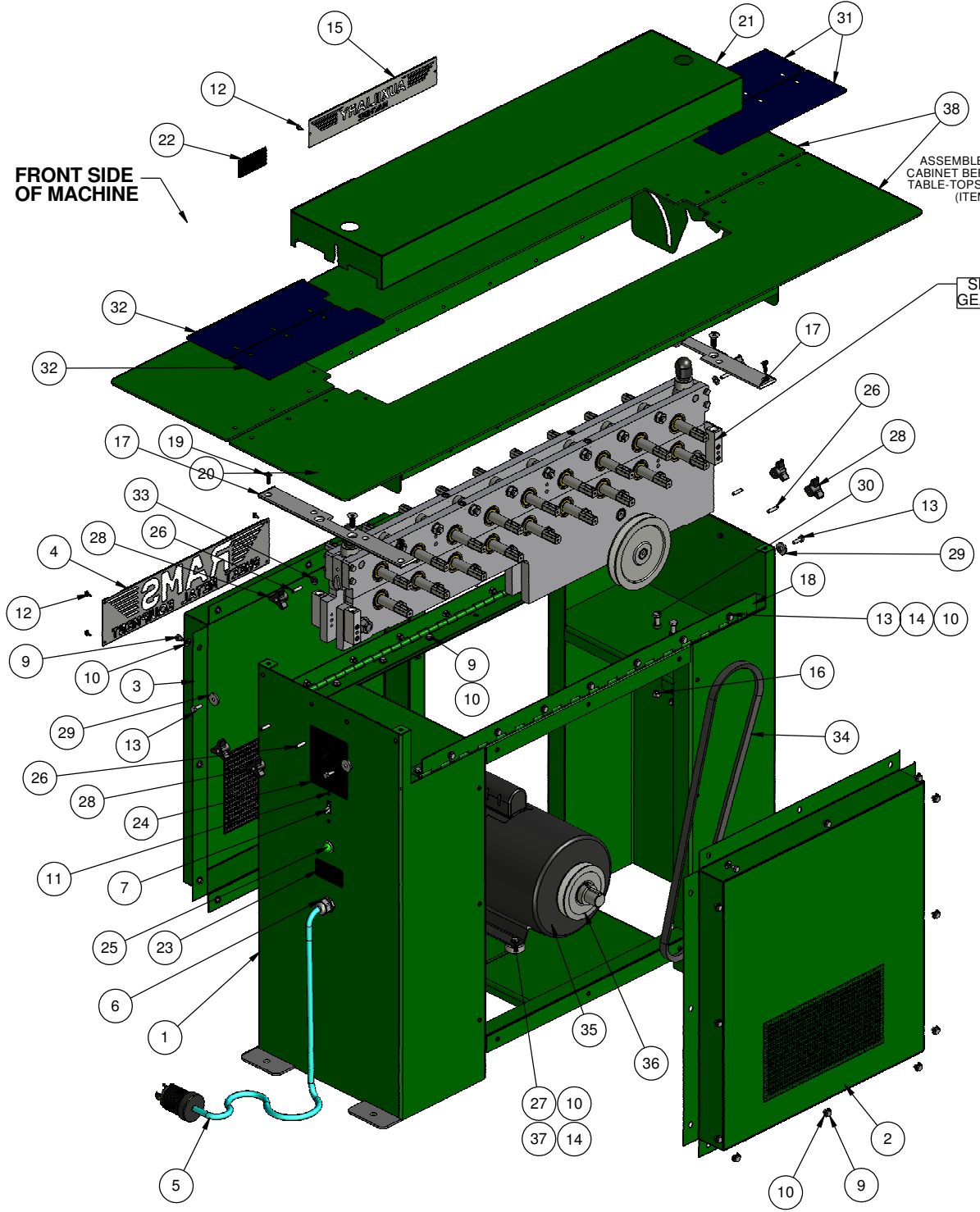


FRONT SIDE OF MACHINE



REVISIONS				
ZONE	REV.	DESCRIPTION	DATE	APPROVED
N/A	A	INITIAL RELEASE	9/30/08	SSL
	B	ADDED/REVISED ITEMS 32 THRU 40	12/11/08	SSL
	C	BK47x1.125 PULLEY WAS BK34x1.125	4/7/2009	SSL
	D	AX-1736 QTY 2 WAS QTY 1 ; DELETED AX-1737	8/22/2009	SSL
	E	ADDED HY-1355; DELETED HY-1340 & HY-1350	10/8/2009	SSL
	F	ITEM 38, AX-1728 WAS REVISED TO REV.C; ITEM 31 WAS AX-1736; ITEM 32 WAS AX-1735	7/14/2010	DRP

### RAMS - 2014,AUXILIARY MACHINE

ITEM NO.	PART NUMBER	DESCRIPTION	DEFAULT/QTY.
1	AX-1700	AX CABINET ASSEMBLY	1
2	AX-1201-002	BACK PANEL ASSEMBLY	1
3	AX-1201-001	FRONT PANEL ASSEMBLY	1
4	PITT-22	RAMS LOGO SIGN	1
5	N/A	POWER CORD ASSEMBLY	1
6	69915K57	CORD GRIP	1
7	N/A	30A, 220 VOLT, AC SWITCH	1
8	AX-1500	GEAR BOX ASSEMBLY	1
9	HW-1031	HHCS, 1/4-20 X 3/8", ZINC	40
10	HW-1009	WASHER, 1/4" FLAT, 5/8" O.D., ZINC	60
11	HW-1002	PHMS, 6-32 X 1/2", ZINC	2
12	HW-1026	HHCS, TYPE F THD CUTTING, 8-32 X 3/8", ZINC	6
13	HW-1014	HHCS, 1/4-20 X 3/4", ZINC	18
14	HW-1047	NUT, HEX, NYLOCK, 1/4-20, ZINC	18
15	AX-1016	PLATE, AUX. MACHINE	1
16	HW-1051	NUT, HEX, 3/8-16, ZINC	4
17	AX-1726	PLATE, CABINET TOP	2
18	AX-1740	hinge, 2.5 wide X 38 long	2
19	HW-1045	FHCS, 1/4-20 X 3/4", BLACK OXIDE	4
20	HW-1096	FHCS, 3/8-16 X 1", BLACK	4
21	AX-1725	TOP COVER	1
22	Made in the USA	LABEL, MADE IN USA	1
23	RAMS 2014	SERIAL NUMBER TAGS	1
24	Caution Label	LABEL, CAUTION	1
25	N/A	220 VOLT LIGHT ASSY	1
26	HW-1092	SET SCREW, 1/4-20 X 1", CUP POINT	6
27	HW-1023	HHCS, 1/4-20 X 1.25"	4
28	KLK-10	KNOB, 3-PRONG	6
29	AX-1733	SLEEVE, STOP	4
30	AX-1735	CUSTOM HHCS, 3/8-16 x 1-1/2"	4
31	AX-1736-1	WEAR PLATE, EXIT	2
32	AX-1738-1	WEAR PLATE, ENTRANCE	2
33	HW-1033	WASHER, NYLON, 1/4" I.D. X .687 O.D. X .06 THK	2
34	V-BELT	5L580 V-BELT	1
35	5HP - 184T	5 HP, 1740 RPM, 230V, 182T-215T MOTOR	1
36	BK47x1.125	PULLEY, V-BELT, SINGLE	1
37	HY-1355	WASHER, MOTOR	4
38	AX-1728	TABLE ASSEMBLY	2

**DIMENSIONS ARE IN INCHES**  
**TOLERANCES ARE:**  
 FRACTIONAL ± 1/16  
 ANGULAR: MACH ± BEND ±  
 TWO PLACE DECIMAL ±.01  
 THREE PLACE DECIMAL ±.005

NAME	DATE	<b>HORIZON SYSTEMS MACHINING</b>  <b>9121 58TH PLACE</b> <b>KENOSHA, WI 53144</b> <b>PH: 262-605-1122</b> <b>FAX: 262-605-1198</b>
DRAWN	SSL 8/15/08	
CHECKED	SSL 10/8/09	
ENG APPR.		
MFG APPR.		

MATERIAL	TITLE
SEE BOM	AUXILIARY MACHINE
SIZE	DWG. NO.
C	AX-2014
REV	F

DO NOT SCALE DRAWING      SCALE: 1:6      SHEET 1 OF 1