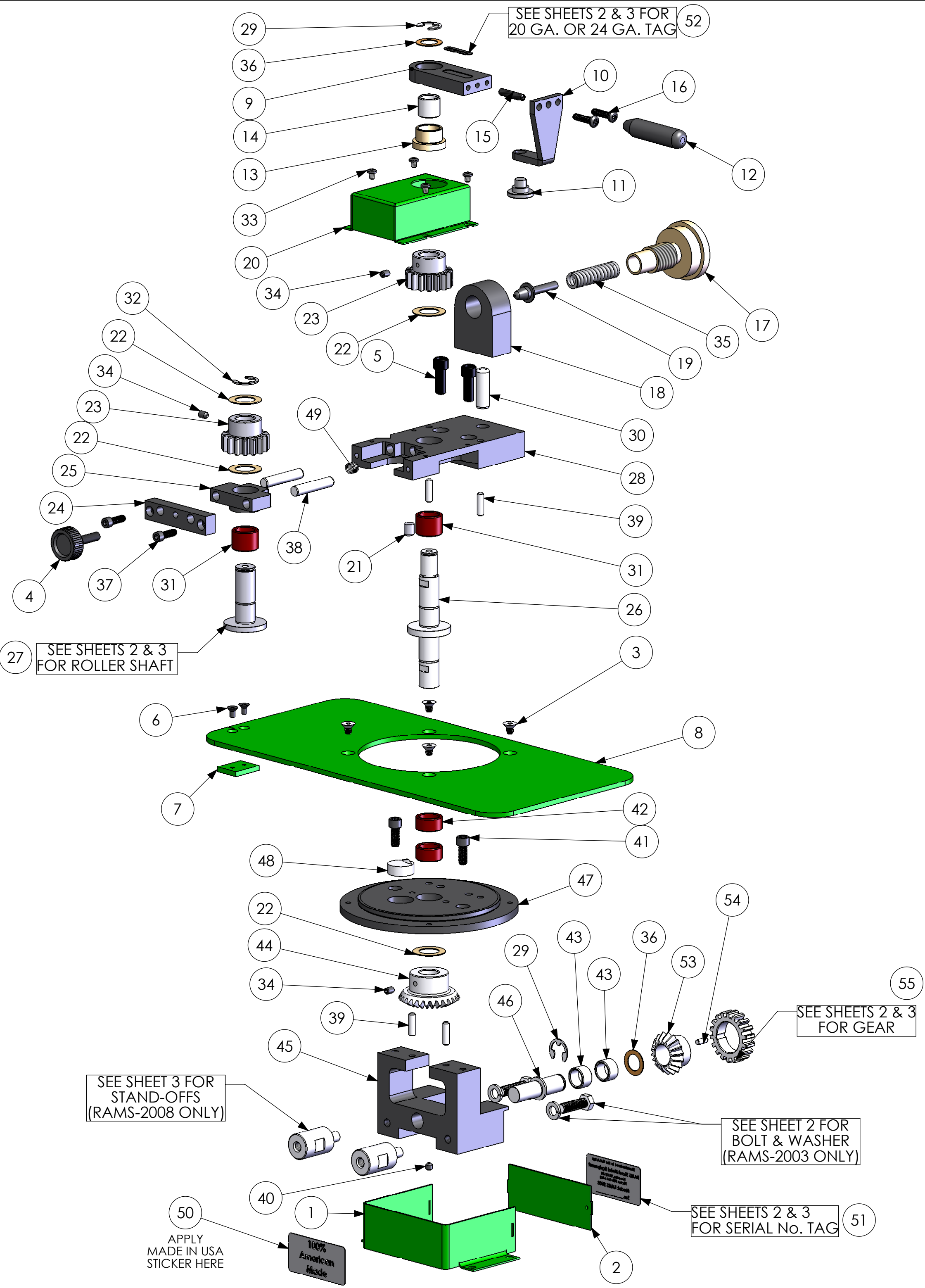


REVISIONS				
ZONE	REV.	DESCRIPTION	DATE	APPROVED
-	B	ADDED LABELS	12/11/08	SSL

RAMS-2003 & 2008 POWER FLANGER

BOM Table				
ITEM NO.	PART NUMBER	DESCRIPTION	QTY.	
1	PF-1025	LOWER SHROUD	1	
2	PF-1028	LOWER SHROUD (BACK)	1	
3	HW-1042	FHCS, 1/4-20 X 3/8", BLACK	4	
4	KHU-380	FRONT KNOB	1	
5	HW-1052	SHCS, 3/8-16 X 1", BLACK	2	
6	PF-1053	FLAT SOCKET HEAD CAP SCREW: 10-32 X 3/8" LONG	2	
7	PF-1027	WELD BLOCK	1	
8	PF-1014	TABLE	1	
9	PF-1016	AUTOGUIDE (TOP)	1	
10	PF-1023	AUTO GUIDE (BOTTOM)	1	
11	PF-1017	AUTOGUIDE (ROLLER)	1	
12	PF-1024	HANDLE	1	
13	PF-1021	AUTOGUIDE BUSHING	1	
14	PF-1059	BEARING: PRT # B-1012	1	
15	PF-1050	SET SCREW, 1/4-20 X 1 1/4", CUP POINT	1	
16	PF-1057	BHCS, 1/4-20 X 3/4", BLACK	2	
17	PF-1018	SPRING ADJ. KNOB	1	
18	PF-1019	TENSION BLOCK	1	
19	PF-1020	SPRING PLUNGER	1	
20	PF-1022	GEAR COVER	1	
21	PF-1031	TOP GUIDE PIN	1	
22	PF-1009	WASHER (RTNG RING)	4	
23	PF-1010	SPUR GEAR	2	
24	PF-1011	END BLOCK	1	
25	PF-1006	SLIDE BLOCK	1	
26	PF-1007	SMOOTH ROLLER	1	
28	PF-1005	PLATE	1	
29	PF-1034	E-RING FOR A 5/8" DIA SHAFT	2	
30	PF-1041	DOWEL PIN, 1/2" DIA X 1 1/2"	1	
31	B-1212	NEEDLE ROLLER BEARING	2	
32	N/A	E-RING FOR A 3/4" DIA SHAFT	1	
33	91255A533	BHCS, 10-32 X 1/4", BLACK	4	
34	PF-1047	SET SCREW, 1/4-20 X 3/8", CUP POINT PATCH LOC	3	
35	N/A	SPRING	1	
36	PF-1052	TOP WASHER: .030" THK	2	
37	PF-1042	SHCS, 1/4-20 X 3/4", BLACK	2	
38	PF-1043	DOWEL PIN, 3/8" DIA X 2"	2	
39	PF-1035	1/4" DIA X 7/8" LONG DOWEL PIN	4	
40	PF-1036	SCREW SH SET 1/4-20 X 1/4" LONG CUP POINT	1	
41	PF-1037	SCREW SHCS 5/16-18 X 3/4" LONG	2	
42	PF-1039	BEARING: PRT # B-128	2	
43	PF-1040	BEARING: PRT # B-108	2	
44	PF-1002	GEAR, MODIFIED	1	
45	PF-1003	BASE	1	
46	PF-1012	PINION GEAR SHAFT	1	
47	PF-1013	ROUND BASE	1	
48	PF-1030	BOTTOM GUIDE PIN	1	
49	LC-059E-5-M	LEE HANDLE SPRING	1	
50	Made in the USA	LABEL, MADE IN USA	1	
53	PF-1001	GEAR, PINION, MODIFIED	1	
54	PF-1038	3/16" DIA X 1/2" LONG DOWEL PIN	1	



DIMENSIONS ARE IN INCHES
TOLERANCES:
 FRACTIONAL ± 1/16
 ANGULAR: MACH ± BEND ±
 TWO PLACE DECIMAL ±.01
 THREE PLACE DECIMAL ±.005

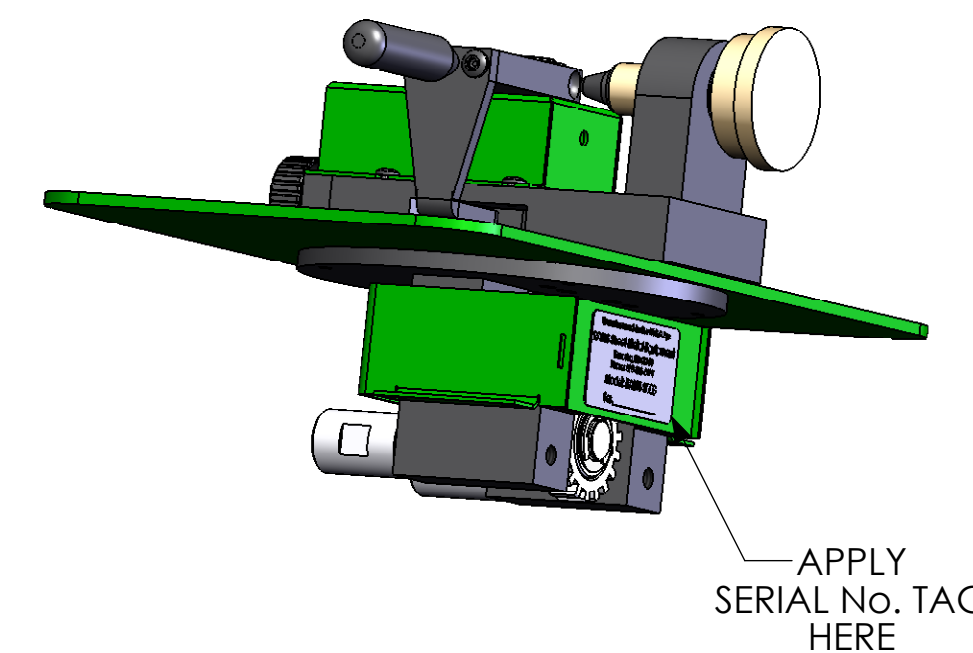
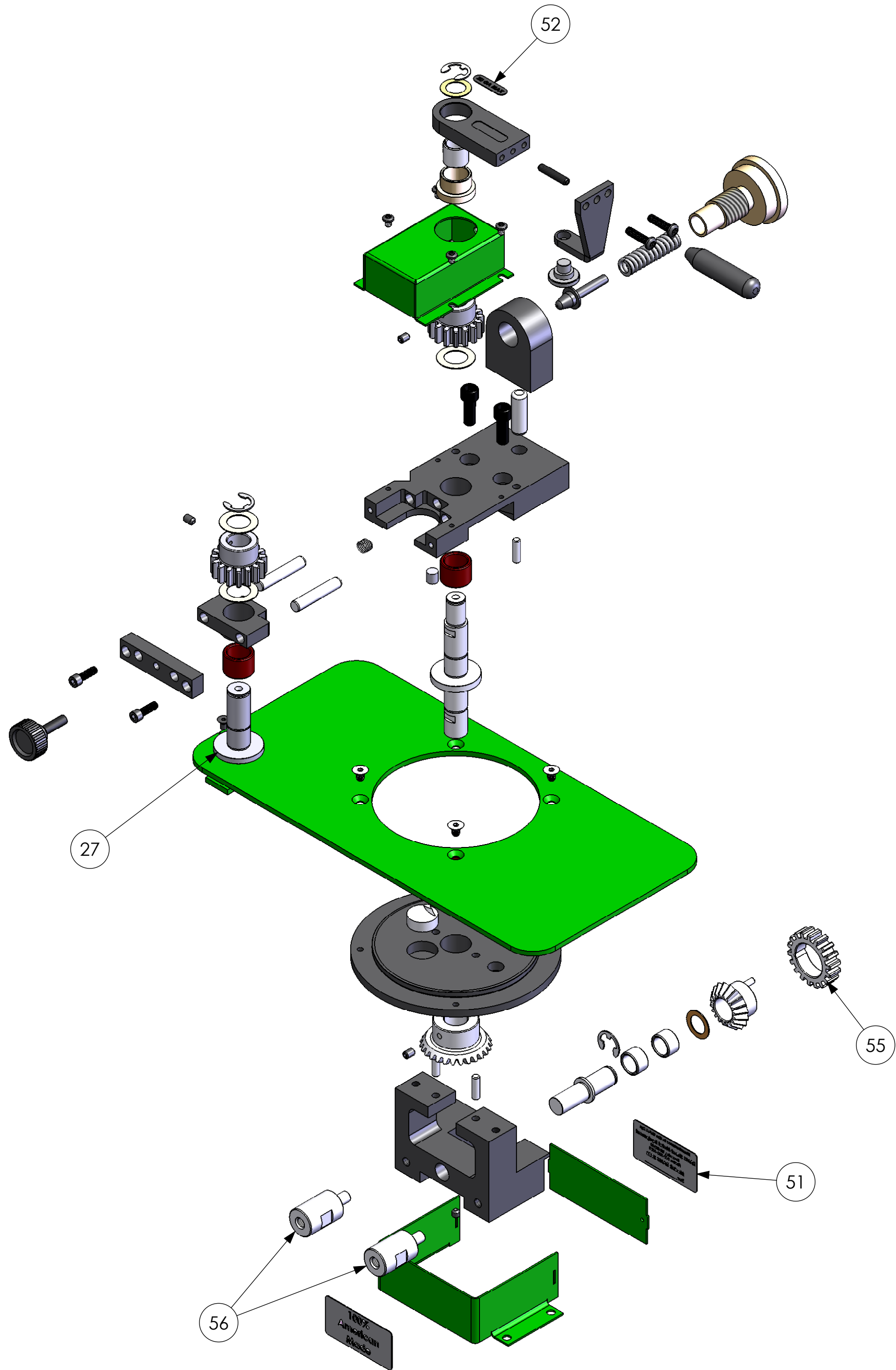
DRAWN	JAS	3/2/2006
CHECKED	SSL	12/11/08
ENG APPR.		
MFG APPR.		
Q.A.		

HORIZON SYSTEMS MACHINING
 9121 58TH PLACE
 KENOSHA, WI 53144
 PH: 262-605-1122
 FAX: 262-605-1198

THE INFORMATION CONTAINED IN THIS DRAWING IS THE SOLE PROPERTY OF HORIZON SYSTEMS MACHINING. ANY REPRODUCTION IN PART OR AS A WHOLE WITHOUT THE WRITTEN PERMISSION OF HORIZON SYSTEMS MACHINING IS PROHIBITED.

MATERIAL	TITLE: RAMS-2003 & 2008	
FINISH	SIZE DWG. NO.	REV
DO NOT SCALE DRAWING	C RAMS-2003_2008	B
	SCALE: 1:3	SHEET 1 OF 3

REVISIONS				
ZONE	REV.	DESCRIPTION	DATE	APPROVED
-	B	SEE SHEET 1	-	-



RAMS-2008 POWER FLANGER

ITEM NO.	PART NUMBER	DESCRIPTION	QTY.
27	20GAPF-1008	KNURLED ROLLER SHAFT	1
51	RAMS 2008	LABEL, SERIAL No.	1
52	20 GA MAX	LABEL, 20 GA MAX	1
55	20GAPF-007	MODIFIED IDLER GEAR	1
56	20GAPF-004	POWER FLANGER STAND OFF	2

DIMENSIONS ARE IN INCHES
TOLERANCES:
 FRACTIONAL ± 1/16
 ANGULAR: MACH ± BEND ±
 TWO PLACE DECIMAL ±.01
 THREE PLACE DECIMAL ±.005

	NAME	DATE
DRAWN	JAS	3/2/06
CHECKED	SSL	12/11/08
ENG APPR.		
MFG APPR.		
Q.A.		

HORIZON SYSTEMS MACHINING
 9121 58TH PLACE
 KENOSHA, WI 53144
 PH: 262-605-1122
 FAX: 262-605-1198

MATERIAL		TITLE	
FINISH	DO NOT SCALE DRAWING	SIZE	DWG. NO.
		C	RAMS-2003_2008
			REV B

SCALE: 1:3 SHEET 3 OF 3

A

A