

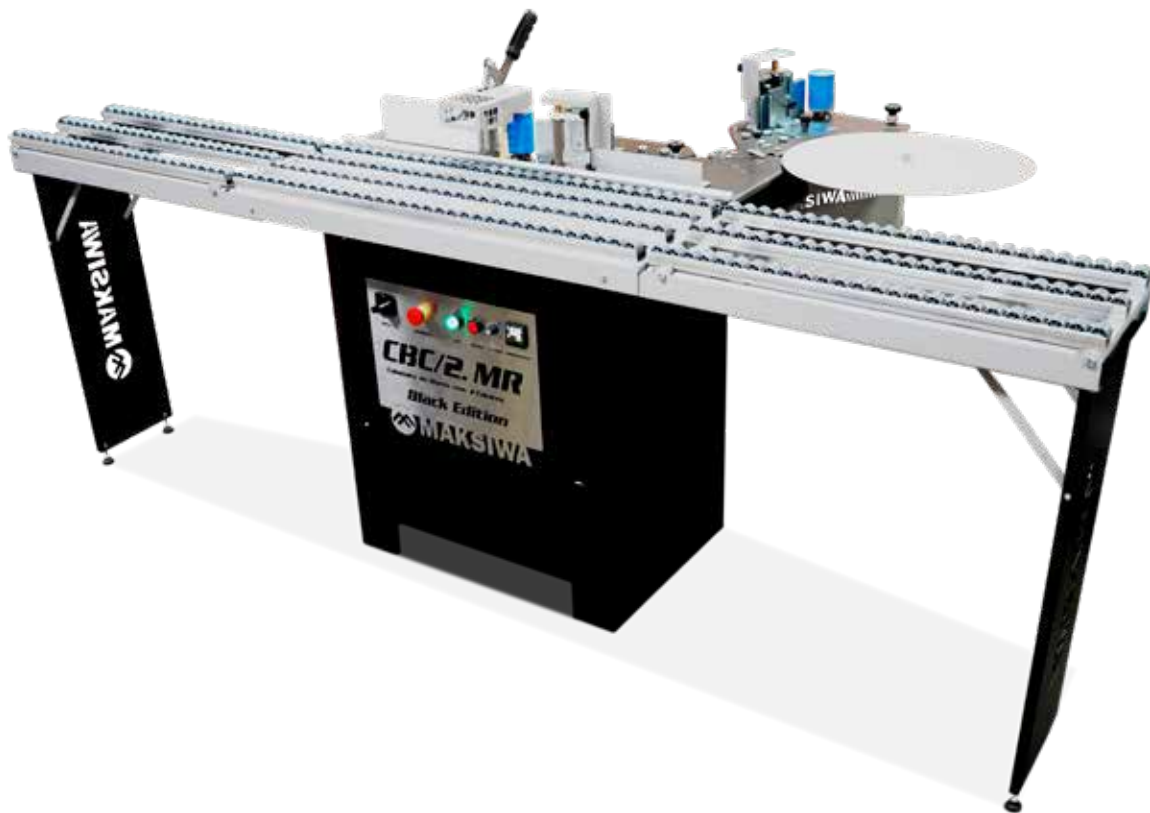


# MAKSIWA®

## CBC/2.MR

**Edgebander with Extension Table**

INSTRUCTION MANUAL



ATTENTION: READ THIS MANUAL BEFORE USING THE MACHINE.

### **Greetings,**

Congratulations, you just purchased the CBC/2.MR Maksiwa Edgebander, which was developed with the Maksiwa's highest standards of technology and quality. Your CBC/2.MR Maksiwa Edgebander allows you to have the highest productivity in woodworking. It should be noted that to use this machine with maximum efficiency, you should read and understand the instructions in this manual.

Visit our website to know about our launches and other product lines and Technical Assistance:

[www.maksiwa.com/usa](http://www.maksiwa.com/usa)

[tech@maksiwa.com](mailto:tech@maksiwa.com)



**Attention!: The machine must be inspected immediately upon arrival. If the machine has been damaged during transport, or if any parts are missing, a written record of the problems must be submitted to the forwarding agent and a damage report compiled. Also be sure to notify your supplier immediately.**



**For the safety of all personnel, it is necessary to study this manual thoroughly before assembly and operation. This manual must be kept in good condition and should be considered as part of the machine. Furthermore, the manual must be kept to hand and within the vicinity of the machine so that it is accessible to operators when using, maintaining or repairing the machine.**



Maksiwa International Inc.  
4100 N Powerline Rd, Suite D3 Pompano Beach, FL

Call us free: 844-319-6594

tech@maksiwa.com  
www.maksiwa.com/usa

## Contents

1. General.....	05
1.1 Symbol legend.....	05
1.2 Information on the operating instructions .....	05
1.3 Liability and warranty.....	05
1.4 Copyright.....	06
1.5 Spare parts.....	06
1.5 Disposal .....	06
2. Safety Regulations.....	07
2.1 Workspace.....	07
2.2 Personal Safety.....	07
2.3 Machine Safety.....	04
3. Description.....	10
3.1 Specifications .....	10
4. Installation.....	11
4.1 Electric Installation .....	11
4.2 Assembly .....	11
4.3 Adjustments .....	14
5. Operation.....	16
5.1 Set Up and Control .....	16
5.2 First Tests.....	18
5.3 Glue Thickness .....	18
6. Maintenance.....	20
6.1 Geneal Cleaningness .....	20
6.2 Lubrication.....	20
6.3 Square.....	20
6.4 Exchange Glue Pot .....	21
6.4 Maintanamce Schedule .....	23
7. Explode View .....	24
8. Wiring Diagram .....	41
9. Warranty Terms .....	45

## 1 General

### 1.1 Symbol legend

Important technical safety instructions in this manual are marked with symbols. These instructions for work safety must be followed.

In all these particular cases, special attention must be paid in order to avoid accidents, injury to persons or material damage.



**Warning! Risk of injury or death!**

**This symbol marks instructions that must be followed in order to avoid harm to one's health, injuries, permanent impairment or death!**



**Warning! Danger! Electric current!**

**This symbol warns of potentially dangerous situations relating to electrical current. Not observing the safety instructions increases the risk of serious injury or death. All electrical repairs must be carried out by a qualified electrician!**



**Attention! Risk of material damage!**

**This symbol marks instructions which, if not observed, may lead to material damage, functional failures and/or machine breakdown!**

### 1.2 Information on the operating instructions

This manual describes how to operate the machine properly and safely. Be sure to follow the safety tips and instructions stated here as well as any local accident prevention regulations and general safety regulations. Before beginning any work on the machine, ensure that the manual, in particular the chapter entitled "Safety" and the respective safety guidelines, has been read in its entirety and fully understood. This manual is an integral part of the machine and must therefore be kept in the direct vicinity of the machine and be accessible at all times. If the machine is sold, rented, lent or otherwise transferred to another party, the manual must accompany the machine.

### 1.3 Liability and warranty

The contents and instructions in this manual have been compiled in consideration of current regulations and state-of-the-art technology as well as based on our know-how and experience acquired over many years. This

manual must be read carefully before commencing any work on or with this machine. The manufacturer shall not be liable for damage and/or faults resulting from the disregard of instructions in the manual. The text and images do not necessarily represent the delivery contents. The images and graphics are not depicted on a 1:1 scale. The actual delivery contents are dependent on custom-built specifications, add-on options or recent technical modifications and may therefore deviate from the descriptions, instructions and images contained in the manual. Should any questions arise, please contact the manufacturer. We reserve the right to make technical modifications to the product in order to further improve user-friendliness and develop its functionality.


## 1.4 Copyright

This manual should be handled confidentially. It is designated solely for those persons who work on or with the machine. All descriptions, texts, drawings, photos and other depictions are protected by copyright and other commercial laws. Illegal use of the materials is punishable by law.

This manual, in its entirety or parts thereof, may not be transferred to third parties or copied in any way or form, and its contents may not be used or otherwise communicated without the express written consent of the manufacturer.


Infringement of these rights may lead to a demand for compensation or other applicable claims. We reserve all rights in exercising commercial protection laws.

## 1.5 Spare parts

 Attention: Non genuine, counterfeit or faulty spare parts may result in damage, cause malfunction or complete breakdown of the machine.

If unauthorized spare parts are fitted into the machine, all warranty, service, compensation and liability claims against the manufacturer and their contractors, dealers and representatives shall be rejected. Use only genuine spare parts supplied by the manufacturer. Unless, specified by manufacturer.

## 1.6 Disposal

 **Attention!: Used electrical materials, electronic components, lubricants and other auxiliary substances must be treated as hazardous waste and may only be disposed of by specialised, licensed firms.**

If the machine is to be disposed of, separate the components into the various materials groups in order to allow them to be reused or selectively disposed of. The whole structure is made of steel and can therefore be dismantled without problem. This material is also easy to dispose of and does not pollute the environment or jeopardize public health. International environmental regulations and local disposal laws must always be complied with.

## 2 Safety Regulations

Read all instructions in this manual. Failure to follow all instructions listed below may result in personal injury and equipment damage. **WARNING:** When using electrical equipment, always follow the safety precautions to reduce risk of fire, electric shock and personal injury. The manufacturer declares that they are not liable for damages to person(s) or object(s) which may be caused by failure to comply with the safety regulations.

### 2.1 Workspace

- Keep a clean work surface. Cluttered areas and work surfaces are invite accidents.
- Do not use the Edgebander in hazardous environments. Do not use machine in damp or wet locations or exposed to rain. Keep well-lit work area.
- Keep children away. Visitors should be kept safe distance from work area.
- Make the workplace safe making use of padlocks, master keys or removing the ignition key.
- Do not force the tool. It will perform the job better and safer for the intended use.

### 2.2 Personal Safety

- Stay alert, pay attention at what you are doing and use common sense when operating the machine. Do not use the machine when you are tired or under the influence of drugs, alcohol, or medication. If distracted, while operating the machine, it may in result in serious personal injury.



**ALWAYS USE PROPER PROTECTION WHEN OPERATING THIS EQUIPMENT.**

- Use appropriate equipment. Do not wear loose clothing, gloves, chains, rings, bracelets or other accessories that could become caught in moving parts.
- It is recommended wearing shoes with non-slip soles. Use protection for the hair in order to hold them.
- Always wear safety glasses. Also use hearing protection.
- Do not overreach on the equipment. Maintain balance and feet in comfortable position at all times.
- Keep all tools in order. Keep tools sharp and clean for better and safer performance. Follow the instructions for lubricating and changing accessories.
- Unplug the machine before servicing or changing accessories such as scissors, cutters etc.
- Keep hands away from moving or sharp parts.
- Do not use larger or smaller tools than recommended.

### 2.3 Machine Safety

- The motor of this machine can emit sparks, and can ignite flammable gases.
- Extension cables. Make sure your extension cord is in good condition. When using an extension, be sure of their ability to transmit the electrical current used by your product. An undersized cord will cause drop in voltage resulting in loss of power and overheating. The following table shows the correct size to be used depending on the cable diameter and amperage rate. If in doubt, use a cable with a higher level of capacity.

**IMPORTANT:** Do not use an extension cord with length above 20 meters.

<b>Cable 2 wires</b>		<b>Cable 3 wires</b>	
$\emptyset$ (mm <sup>2</sup> )	Amperage $\emptyset$	$\emptyset$ (mm <sup>2</sup> )	Amperage $\emptyset$
0.5	9	0.5	8
1.0	13	1.0	12
1.5	16.5	1.5	15
2.5	23	2.5	20

**CAUTION:** FAILURE TO ATTEND THESE WARNINGS MAY RESULT IN PERSONAL INJURY AND SERIOUS DAMAGE TO THE MACHINE.

- Protect the electrical power supply line with at least a 20 amp fuse or a circuit breaker switch.
- Make sure that the advance is turning in the right direction.
- Make sure that the knobs and screws are properly tightened and safe before starting any operation.
- Keep sharp tools.
- Keep vents free of chips or dirt engines.
- Turn off the machine and unplug the power cord before maintenance or adjustments of the tool.
- Support long pieces with a clamping device for wood.
- Do not attempt to operate the machine in another voltage beyond designated.
- Do not operate with missing parts of the machine.
- Do not put your hands less than 4in from the shaft.
- Do not use lubricants or cleaners (particularly sprays and aerosols) in the vicinity of the plastic guard. The polycarbonate material used in the guard is sensitive to certain chemicals.



**WARNING:** Some dust created by the act of sanding, cutting, grinding, drilling and other construction-related activities contains chemicals that can cause cancer, birth defects or other reproductive harm. Some examples of these products are: Lead-based paint; crystal silica bricks, concrete and other masonry products; and arsenic and chromium from chemically treated wood.





**CAUTION:** Do not connect the unit to the power outlet until all instructions have been read and understood. Always tighten the adjustment tabs before using the machine. Think: "I can prevent accidents". Do not operate the machine unless the guards are in their proper places. Always use protective goggles.

### **3 Description**

The CBC/2.MR Maksiwa Edgebander is loaded with an extension table and 2 interchangeable glue pots, Maksiwa's CBC/2.MR Cabinet Edgebander works with the most commonly used edge banding materials such as PVC, ABS, Paper and Wood.

#### **3.1 Specifications**

- Motor: 1 Phase
- Volts Amps: 110V
- Power: 1,500 W
- Tape thickness: 0.3 mm – 2 mm
- Max. tape width: 3" /80mm
- Feeder speed: 0 to 8m/min, 0 to 26ft/min
- Work Area: 2.583 x 400 mm, 99" x 15"
- Weight: 242.5 Lbs
- Dimensions: 100" / W:36" / H:43"
- Glue: Granulated Hot-Melt
- Glue Temperature: 130° to 180° C

NOTE: Pictures and illustrations in this manual are ILLUSTRATIVE only and may not be the actual color, contain the same labels or accessories, and are intended only to illustrate the technical part.

## 4 Installation

The following sections will deal with the adjustments necessary for the smooth operation of the machine and shall refer to the term that accompanies the illustrations. For this, you must know the components and know where they are.

### 4.1 Electrical Installation

- The Edgebander CBC/2.MR MAKSIWA has engine 1-phase 110V.
- To avoid risk, check the voltage of your outlet before starting the machine. If necessary make the change of your power with the help of a specialist.
- Ensure that your power supply is in accordance with the Electrical Specs of the Machine. A 10% decrease in voltage or more will cause loss of power and overheating.
- All equipment MAKSIWA are tested at the factory. If this machine does not work, check the electrical supply.
- Check the compatibility of your outlet and plug the machine. Do not do patches and adaptations.
- To avoid electrical shock and damage to the equipment always ground the machine.

CAUTION: To prevent electrical shock or fire, any maintenance or repair to the electrical system should be done only by trained electricians using genuine parts for the machine.

CAUTION: Do not connect the unit to the power outlet until this manual is read and understood.

### 4.2 Assembly

- For packaging reasons, the machine is not completely assembled.
- If you notice any damage caused by shipping, while opening the package, notify your supplier immediately. Do not operate the machine.
- The Edgebander is designed to operate indoors and should be placed on a firm, stable and level surface.

1. You will receive your machine crated.

2. Remove the machine from the crate with all the parts and accessories that go with it.

3. Remove the packing materials around the parts.

4. Install secondary glue pot

The second glue pot will be packed and locked inside the machine. Remove it and mount following the Instruction below:

4.1 - Mount the 2nd Glue Pot using the the 4 Allen Screws, as shown in the following photo:



5. Open the extension tables according to your need, making sure to fit the latches into the side holes as shown in the picture:



6. Use the leveling feet (shown above) on both legs to adjust the height of the extension tables and place them on the same level as the main table:

7. Tape Support: Mount the extension arm on the right side of the machine and place the plate positioning the pin in the insert of Extension Arm, as shown in the figure below.



8. Remove the screws from the Glue Cover before connecting the equipment to a power source, enabling the operation of the machine.



9. Use locking bracket to prevent the Glue Pot to move, as shown below.



10. The machine is already equipped with cable and plug.

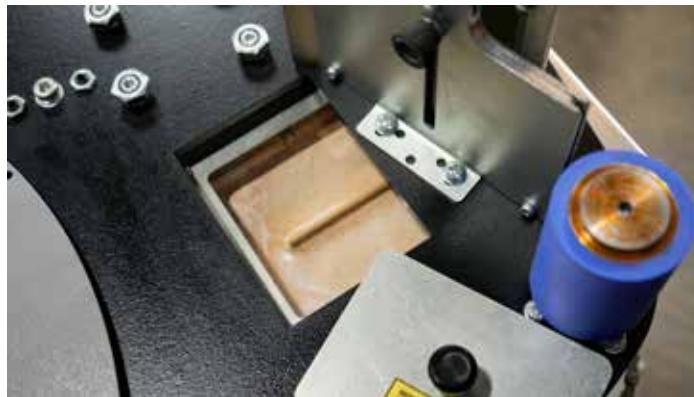
ATTENTION: Use 1-Phase - 110V Power Supply

### 4.3 Adjustments

The adjustments shown below must be made before using the glue pot for the first time or when making any changes, such as edge tape thickness or wood thickness.

ATTENTION: All adjustments must be carried out with the machine turned off and unplugged.

1. **GLUES:** The recommended glue you should use is granulated Hot Melt. Always check the amount of glue in your machine. Due to the tests carried out at the factory, the glue pot will ship with 1.5lbs of glue.



Note that each glue pot comes with a different glue color (White and Transparent). If necessary, add more glue according to the color of the wood and edge tape to be used. do not mix the glue colors.

Do not allow the glue pot to run low, as this can cause failures application of the glue.

NOTE: The quality of glue is critical. MAKSIWA recommends glues that work in the range of 130°C to 180°C. Above that, high temperature glues can damage by over work machine and electrical components.

CLEANING / CHANGING GLUE: To carry out this operation, follow these steps, but read the rest of the manual first to be familiar with all operations:

- Turn on the machine, with the glue pot you want to clean/change glue, and program the temperature controller to 70°C (see this manual to adjust the controller).
- At this temperature, the glue is not too hot (soft) and not too cold (hard). Thus, you can remove the glue in larger chunks.
- Use a spatula or piece of wood, avoiding scraping the walls of the glue pot.
- After removing all the glue, refill with the new glue.
- Adjust the temperature controller again according to the glue specification.

**RECOMMENDATIONS:**

For this equipment we recommend the following glue brands:

Kleiberit: 140°C - White / Code: 788.3/10

Kleiberit: 140°C - Cream / Code: 788.3/20

Jowat: 150°C - Beige / Code: 282.20

Jowat: 150°C - White / Cod.: 282.21

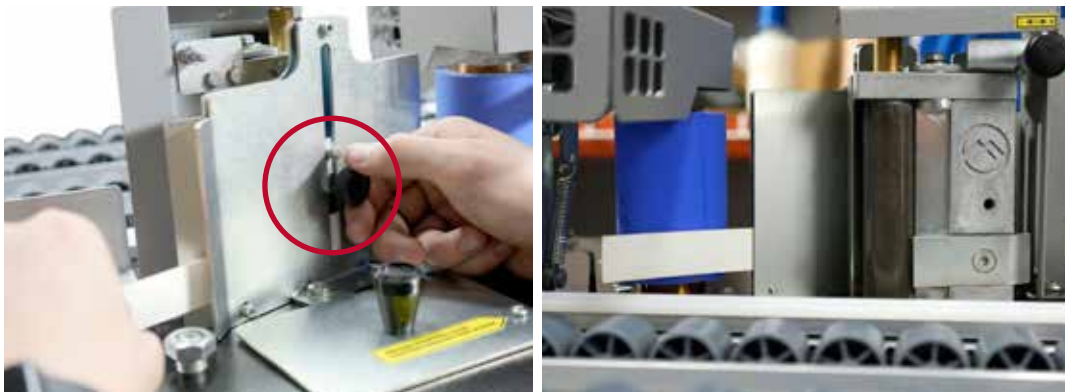
**2. EDGE TAPE**

The CBC/2.MR Cabinet Edgebander With Dual Pot is designed to work with PVC, ABS, paper and wood edge banding that are not pre-glued on straight pieces. Use tapes that are at least 4 mm wider than the wooden panel. It is necessary to adjust in-feed fence according to the thickness of the edge banding. That is, when changing the tape thickness, it is necessary to adjust the machine again. For this adjustment, follow the steps below:

- Cut a piece of tape to be used;
- Insert the cut piece of tape behind the aluminum guide, between the guide and the Allen screws, according to the same figure above.
- Push the guide against the tape, without forcing too much, so as not to deform the tape.
- Retighten the screws. The in-feed fence distance will already be adjusted according to the tape thickness. Do not remove this piece of tape.
- With a piece of wood, check that the in-feed fence is aligned with the glue roller. To do this, push the wood against the in-feed fence, slid it until it comes into contact with the glue roller. The glue roller must move slightly back (about 1 to 3 mm) so that, when in operation, it passes smoothly without hitting the glue roller sharply.

Adjusting Tapes: To place your tape correctly, follow these steps:

1. Position the tape roll on the previously installed support plate.
2. Insert the tape into the tape guide as shown in the figure below, adjusting the knob A, the tape guide height, so that the tape can move freely.



## 5 Operation

**IMPORTANT:** All maintenance or cleaning on the machine must be made with the machine OFF and unplugged from the outlet to prevent accidental shock.

- Periodic maintenance on your Edgebander CBC.MR MAKSIWA will ensure optimum performance. Make it a habit to inspect your edgebander every time you use it. This section covers the service adjustments or common procedures that may need to be made during the life of your machine.
- Verify if the following conditions for repair or replacement are needed:
- Loosen screws.
- Switches or buttons damaged.
- Cables, plugs or sockets worn or damaged.
- Transmission chain damaged.
- Dirt Glue axis or glue pot. The dust coming from saw machines can lock the axis. Keep your CBC/2.MR as distantly as possible of saw machines.
- Any other condition that could adversely affect the safe
- Operation of the equipment
- The machine must be operated with all protections and security systems. always keep the operator's physical integrity as a priority.

### 5.1 Setup and control

To connect your CBC/2.MR Maksiwa Edgebander proceed as follows: Connect the plug to the 1-phase 110V outlet.

- On the control panel you will find different components. Get to know each of them and their functions:



1. Main on/off Switch: This switch powers the control panel, but does not turn on the machine.



2. Emergency button: When pushed in, it instantly turns off all machine functions. Twist clockwise to release it.
3. ON button (green): This button turns on the machine, activates the other functions and starts the glue heating process. If the machine does not start and the light does not come on when this button is pressed, check that the disconnect switch has already been turned on and that the emergency button is not activated.  
Note that the LED on this button will only light up when the temperature reaches the set temperature.
4. OFF button (red): This button turns off the machine, deactivating all its functions, including the glue heating.
5. Feeder Switch: This button activates the feed (rubber roller and glue roller). However, this button will only be released after the glue reaches the established temperature.
6. Temperature controller: The display shows 2 numbers. The top one indicates the actual temperature of the glue and the bottom number indicates the set temperature. It also features SET, Left, Up and Down buttons.

Follow the guidelines below to change the controller temperature:

- Push the ON button (3)
- Set the temperature according to the glue specification. To change the working temperature press the LEFT ARROW key, you can change the parameters (press this key to reach the digit you want to change). Then press the ARROW DOWN or ARROW UP keys to change the temperature. When the desired temperature is displayed, press SET, which will activate the heating function.

NOTE: The Motor is activated only when the programmed temperature is within 10°C of set temperature. Outside this range, the process can be disabled and the feeder switch will not work.

NOTE: The temperature controller of the CBC/2.MR Maksiwa Edgebander is programmable for a maximum temperature of 220°C, Maksiwa does not recommend working with glues of high temperatures, as they overwork electrical components.

After 15-30 minutes to reach the set temperature, starting from room temperature.

- When reaching the set temperature, the Green Button (3) will light up and the Feeder Switcher (5) will be ready to be turned on, activating the roller. Your Edgebander is ready to start. At this point it is important that you only use scrap wood for testing, until you are comfortable with the operation of the machine.

## 5.2 First Tests

Only proceed at this point if you have read the entire manual and are confident in operating the equipment. If necessary, contact the manufacturer.

With all the adjustments made, the machine adjusted and set to the correct working temperature, you can start the first work tests. For this, use scrap pieces of wood, until you are comfortable with the operation of the machine.

To start, hold the wooden panel by pushing against the aluminum in-feed fence and directing it against the glue roller. Look the following picture:



**CAUTION:** Risk of crushing and cutting. Do not bring your hands closer than 10 cm / 4 inches from the tape knife. Do not wear gloves or loose clothing when operating this equipment.

If the wood you are edge banding is very long, use supports to guarantee proper glue application.

**NOTE:** You can cut the excess of edge banding with Tape Knife. The closer to the panel the better result.

## 5.3 Glue Thickness

According to the first tests you will find an ideal amount of glue that must applied to the panel. If you notice that the tape comes off the panel easily, the cause may be a lack of glue. Otherwise, there may be excess glue. Note if there is excess glue on the outer sides of the tape. To adjust the glue thickness, proceed as follows:

- On the glue applicator assembly, locate and loosen the screw A on the top of glue applicator, as

shown in the following figure:



If you want to decrease the thickness of glue, slightly turn glue knob (B) counterclockwise. If you want to increase the thickness of glue, turn glue knob (B) clockwise. Note that small changes (about 1/4 of a turn) already cause a considerable change in glue thickness. Find the ideal amount, which can vary depending on the type and material, glue and the temperature being used.

It is normal after the process is over for small amounts of glue to remain around the tape. If this happens, remove this excess glue with a cloth with thinner or even a utility knife, taking care not to scratch the wood or the tape.

**IMPORTANT:** All maintenance or cleaning of the machine must be done with the machine OFF and UNPLUGGED from the outlet, avoiding accidental activation and/or electric shocks.

## 6 Maintenance

Periodic maintenance on your CBC/2.MR Maksiwa Edgebander will ensure optimum performance. Make it a habit to inspect your Edgebander each time you use it. This section covers the most common service adjustments or procedures that may be needed and maintenance during the lifetime of your machine.

Verify the following condition before operations:

- Loose or poorly tightened screws/bolts;
- Switchers or buttons;
- Worn and/or damaged cables, plugs or sockets;
- Damaged gears or chain linkage;
- Consider any other condition that could impair the safe operation of this equipment;

### 6.1 General Cleanliness

- When cleaning your CBC/2.MR Maksiwa Edgebander always make sure your machine is off before performing maintenance.
- Use a vacuum cleaner to remove the tape scraps, and clean the dust with a dry cloth. If there is any glue residue, use a resin remover and a clean cloth to remove it. Clean guides, rubberized shaft and cutting knife carefully.
- Keep the table clean after each use.
- To maintain the quality of the cut, it is very important to keep the tape knife clean of glue or edge banding. To clean it, use a cloth with thinner, carefully clean the blade, removing all the glue residue.
- Clean the glue pot regularly, every 2-3 months, as shown on page 14.

### 6.2 Lubrication

Since all bearings are shielded and permanently lubricated, just leave them that way until they need to be replaced. Do not lubricate them. For the other items on this machine, an occasional application of micro-machine oil is required on the hinge that moves the collar and the knife of the cutter.

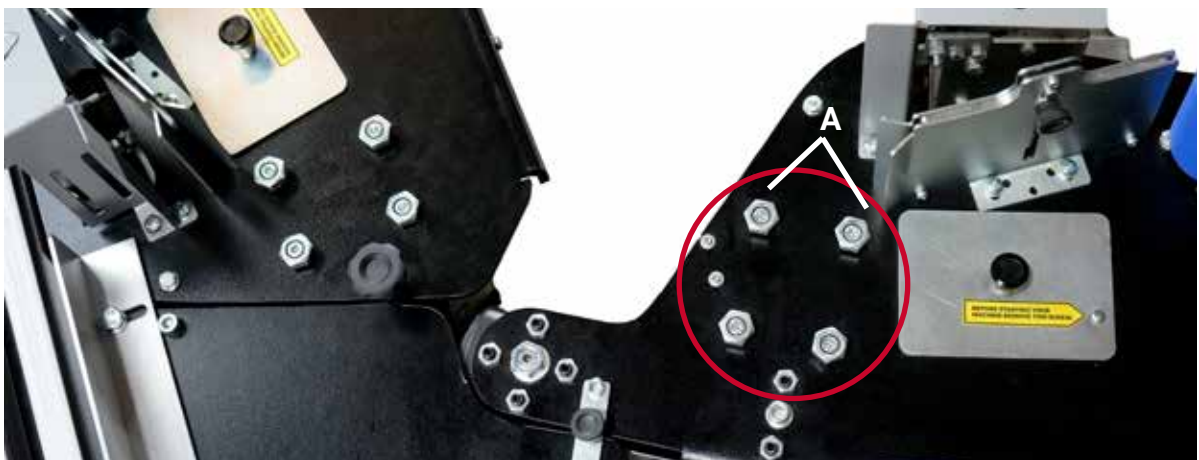
### 6.3 Square

Due to transport, the glue applicator assembly may become out of square. If the glue applicator is out of square can causes a bad application on panels, applying glue unevenly or even not applying glue to the panel. If the glue applicator of your CBC/2.MR Maksiwa Edgebander is out of square, you can easily adjust it by following these steps:

- Clean the glue applicator, removing the excess glue. To do this, heat the machine to the point where

the glue melts, making cleaning the glue roller. As soon as the glue is melted, turn off the machine.

- Place a square on the table guides, push against the glue roller. If any point of square is not touching the glue roller, it is necessary to make the following adjustment:
- If the top of the shaft is angled towards the back of the machine, loosen the 5mm Allen bolts at points A (see figures below) and tighten (about 1/4 turn) the hex screws also at point A. Check the square again. If corrected, retighten the Allen bolts.

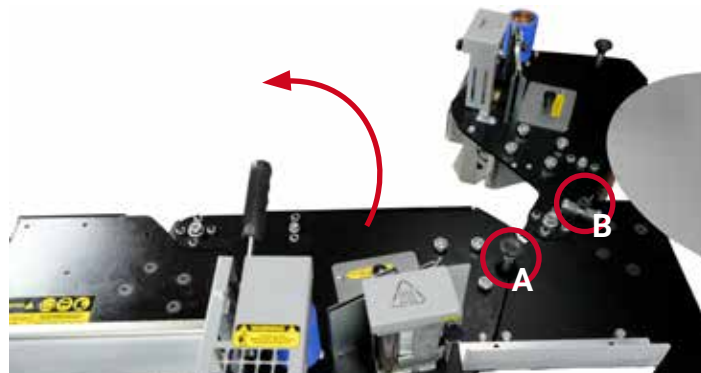


- If the top of the shaft is angled towards the back of the machine, loosen the 5mm Allen bolts at points A (see figures below) and tighten (about 1/4 turn) the hex screws also at point A. Check the square again. If corrected, retighten the Allen bolts.

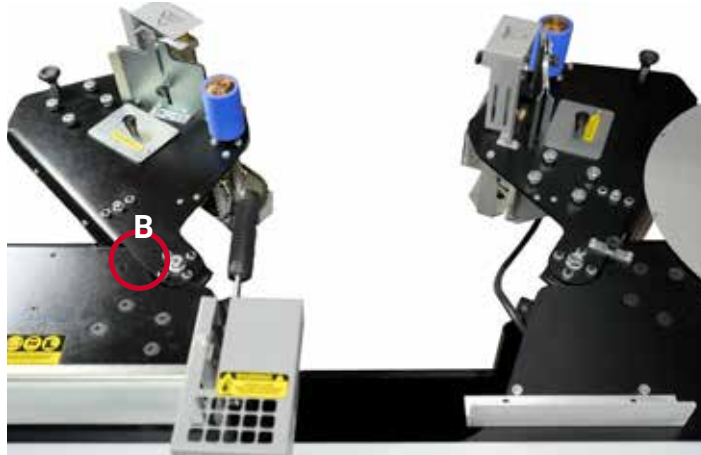
## 6.4 Exchange Glue Pots

To do this, loosen the knob (A) and push the glue pot assembly backwards:

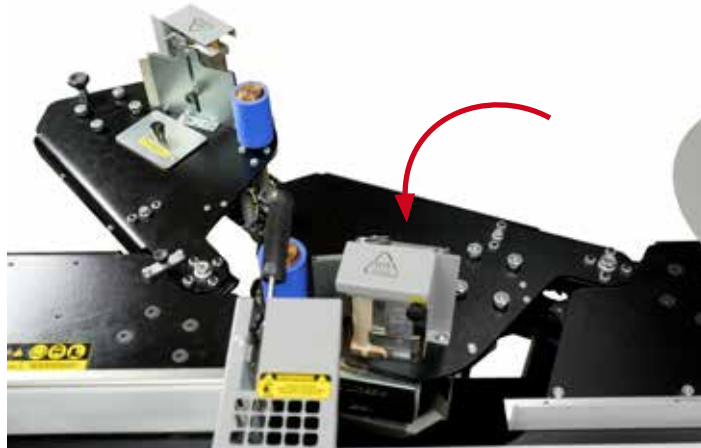
**BE CAREFUL NOT TO BURN YOUR HANDS. HANDLE THE glue pot assembly USING THE knobs.**



- After removing the Glue Pot, place the lock (B) as shown below:



- Move the other glue pot into place, coupling it to the equipment, as shown below:



- Attach the glue pot assembly again to the machine body and tighten the knob (C) as shown below



## 6.5 Maintenance Schedule

### Daily:

- Vacuum any dust above and around the machine.
- Clean the guides, rubberized roller and knife, getting rid of any glue residue.
- Check the glue level in the pot.

### Weekly:

- Clean the accumulation of dust inside the machine.
- Check for wear or damage to buttons and electrical cable.
- Check the wear of the knife.

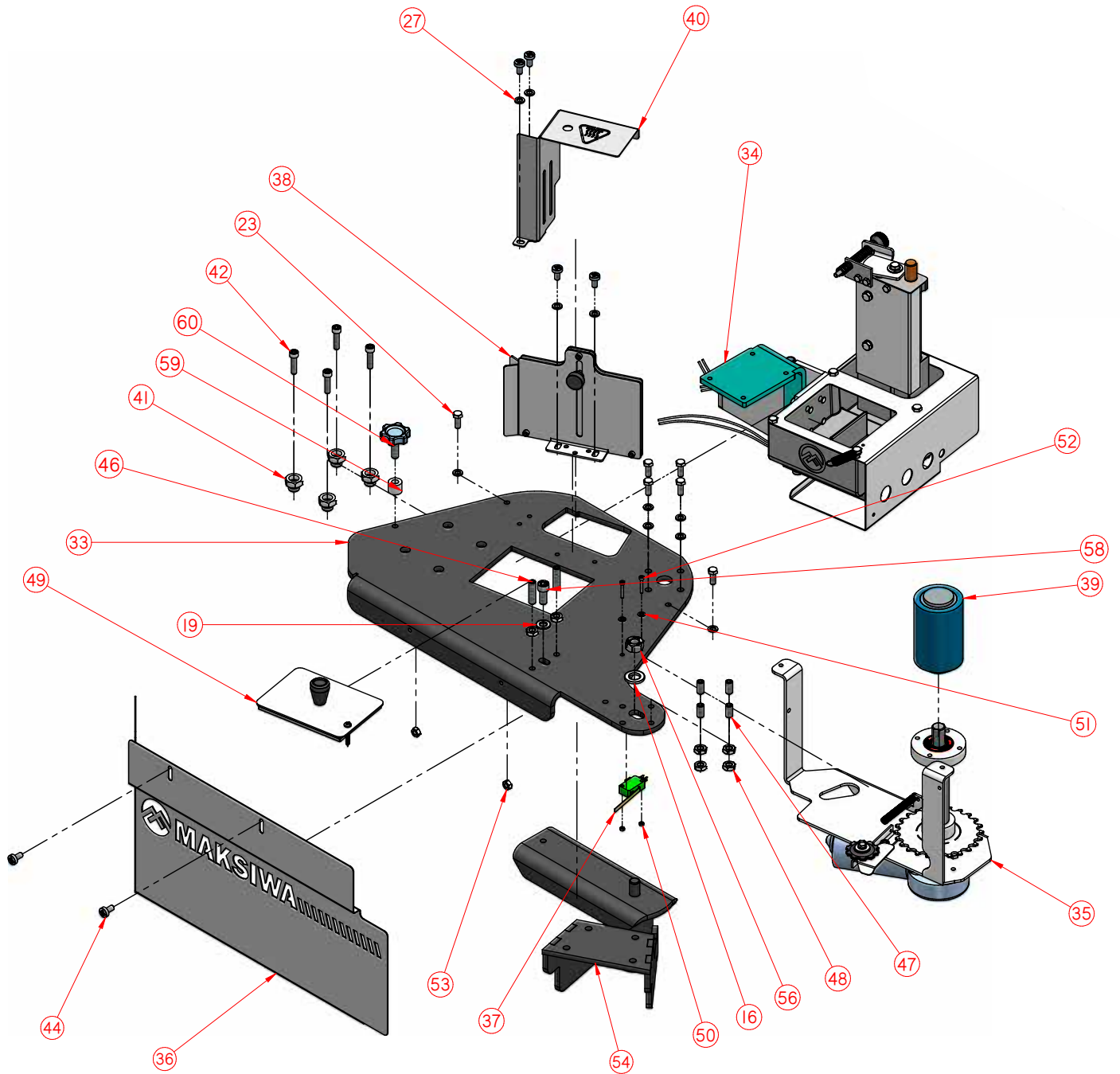
### Electric panel

Never perform maintenance to the electrical panel with the machine on or plugged in. Look for Maksiwa authorized technical assistance when you need to handle the electrical panel.



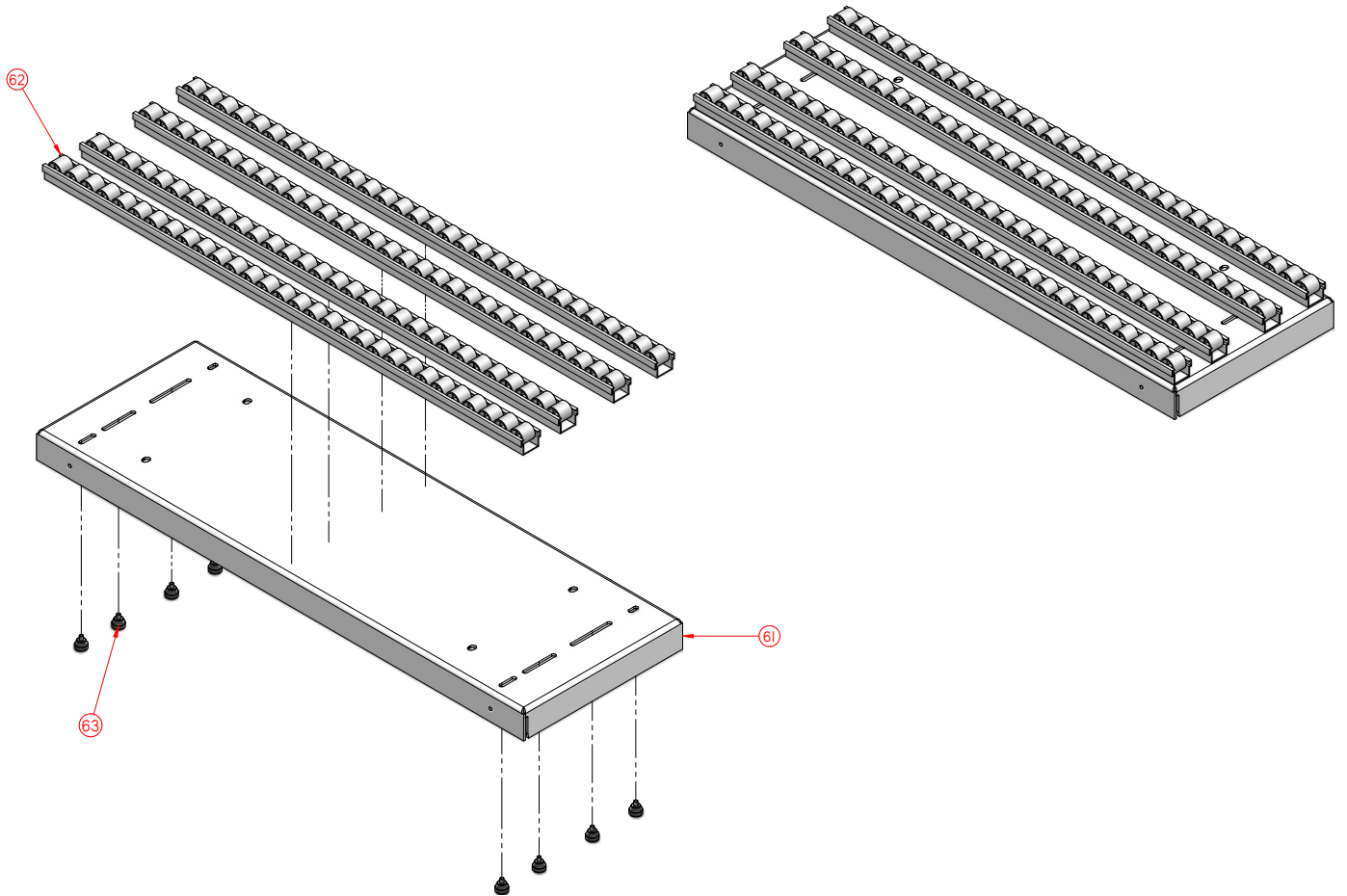


<b>Item</b>	<b>Parts Name</b>	<b>Qty</b>
1	STRUCTURE ASSEMBLY	1
3	CONTROL PANEL SET	1
4	RIGTH MOBILE TABLE ASSEMBLY	1
5	FRONT TABLE SET	1
6	LEFT MOBILE TABLE ASSEMBLY	1
7	OUTPUT BASE	1
8	ARTICULATOR SUPPORT SET	2
9	EDGE RIBBON CUTTING SET	1
10	EDGE TAPE TRAY	1
12	ENTRY GUIDE	1
14	FLAT HEAD SOCKET HEAD SCREW 3/8X3/4	8
15	MOBILE TABLE LOCK	1
17	HEX NUT 1/2" UNF ZINC PLATED	4
18	TABLE ADJUSTMENT SCREW	4
19	FLAT WASHER M8 ZINCPLATED	8
20	HEX SOCKET HEAD CAP SCREW M8X16 ZINC PLATED	4
21	TAPE CUT PROTETION	1
22	HEX CAP SCREW M8X12 ZINC PLATED	2
23	HEX CAP SCREW M6X16 ZINC PLATED	6
24	HEX CAP SCREW M6X10 ZINC PLATED	5
25	FLAT WASHER 3/8" ZINC PLATED	4
27	FLAT WASHER M6 ZINC PLATED	5
28	SELF-LOCKING HEX NUT M6 ZINC PLATED	4
29	SLIDING BASE	1
30	CABLE GLANDS1/2"	3
31	MACHINE SCREW SLOTTED 3/16"X1/4" ZINC PLATED	2
32	HEX SOCKET HEAD CAP SCREW M8X10 ZINC PLATED	4

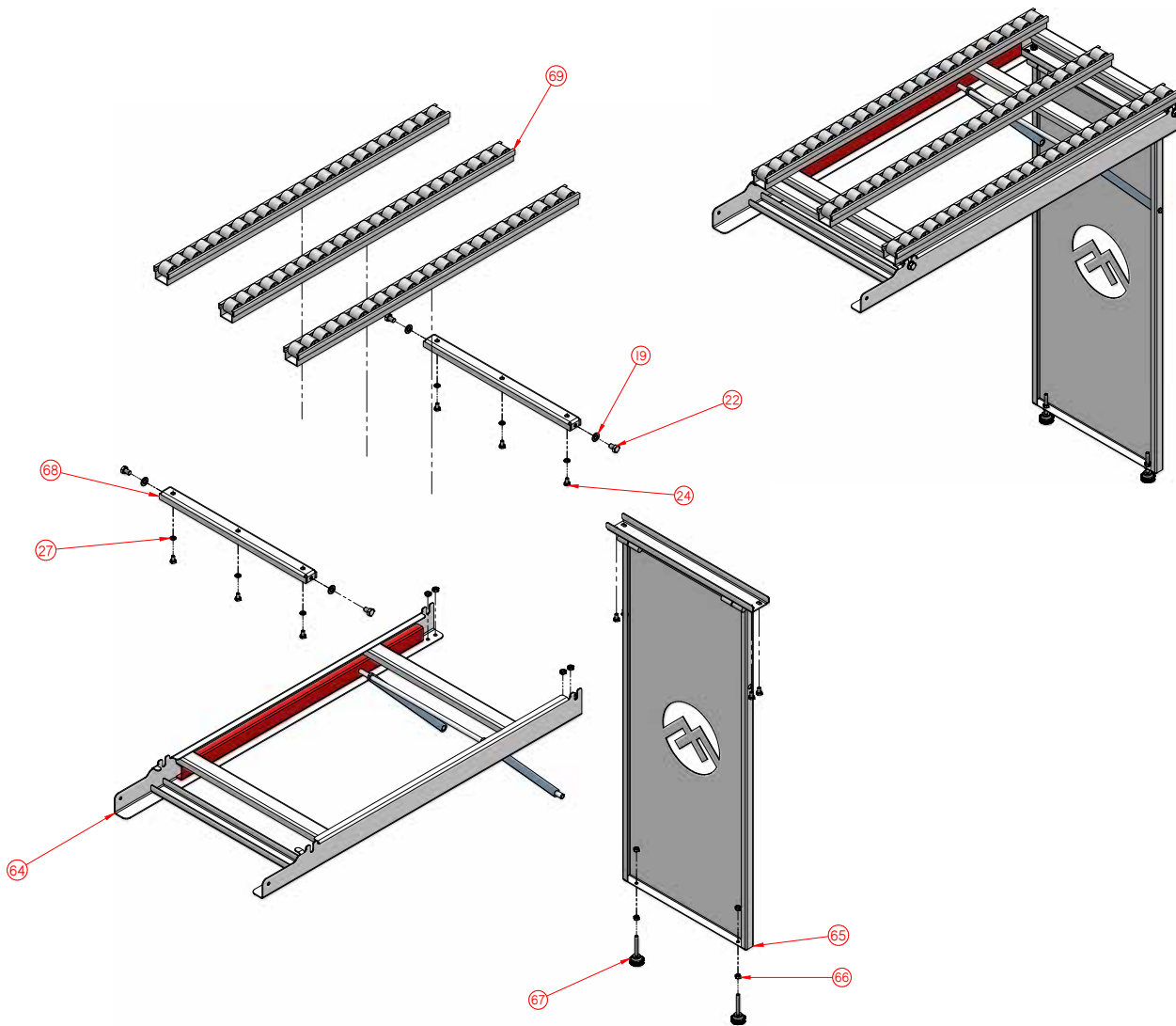


**7 Exploded View**

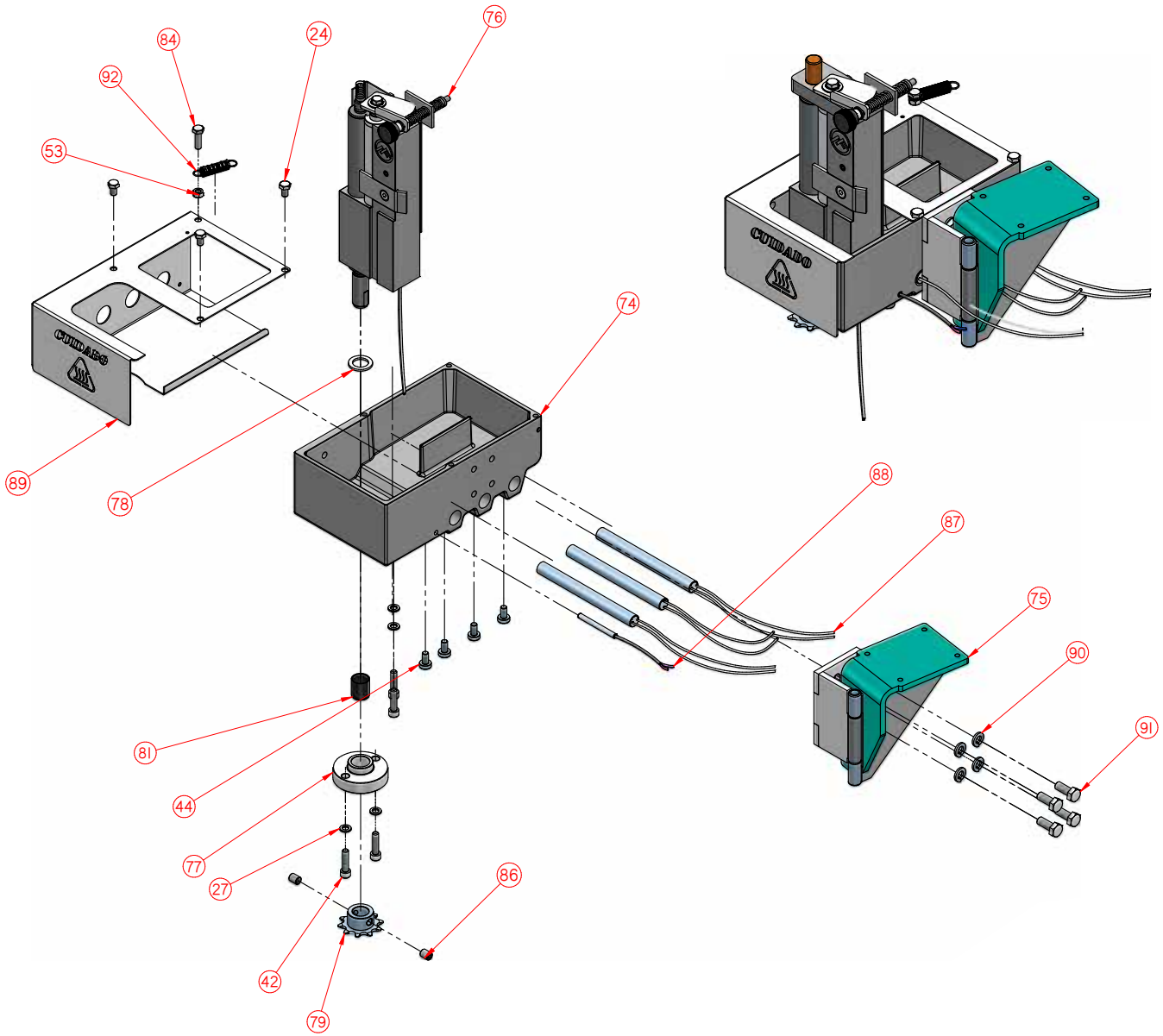
Item	Parts Name	Qty
16	FLAT WASHER M12 ZINC PLATED	1
19	FLAT WASHER M8 ZINC PLATED	1
23	HEX CAP SCREW M6 X 16 ZINC PLATED	6
27	FLAT WASHER M6 ZINC PLATED	10
33	LEFT MOBILE TABLE	1
34	GLUE APPLICATION SYSTEM	1
35	MOTOR SUPPORT	1
36	LEFT BACK PROTECTION	1
37	SWITCH REVERSIBLE CONTACT 10A	1
38	EDGE TAPE GUIDE	1
39	DRIVING ROLL	1
40	GLUE AXIS COVER	1
41	ADJUSTMENT SCREW COLLAR	4
42	HEX SOCKET HEAD CAP SCREW M6X25 ZINC PLATED	4
44	MACHINE SCREW PHILLIPS M6X12 ZINC PLATED	6
46	SOCKET SET SCREW CUP POINT M8X30	2
47	SOCKET SET SCREW CUP POINT M8X16	4
48	LOW HEX NUT M8 ZINC PLATED	6
49	COVER SET OF THE GLUE POT	1
50	HEX NUT M3 ZINC PLATED	2
51	FLAT WASHER M4 STAINLESS STEEL	2
52	HEX SOCKET HEAD CAP SCREW M3X20 STAINLESS STEEL	2
53	HEX NUT M6 ZINC PLATED	2
54	BEARING HOUSING ROTARY SET	1
56	HEX NUT M12 ZINC PLATED	1
58	HEX SOCKET HEAD CAP SCREW M8X20 ZINC PLATED	1
59	TABLE LOCL SPACER	1
60	DAISY HANDLE M8X25	1



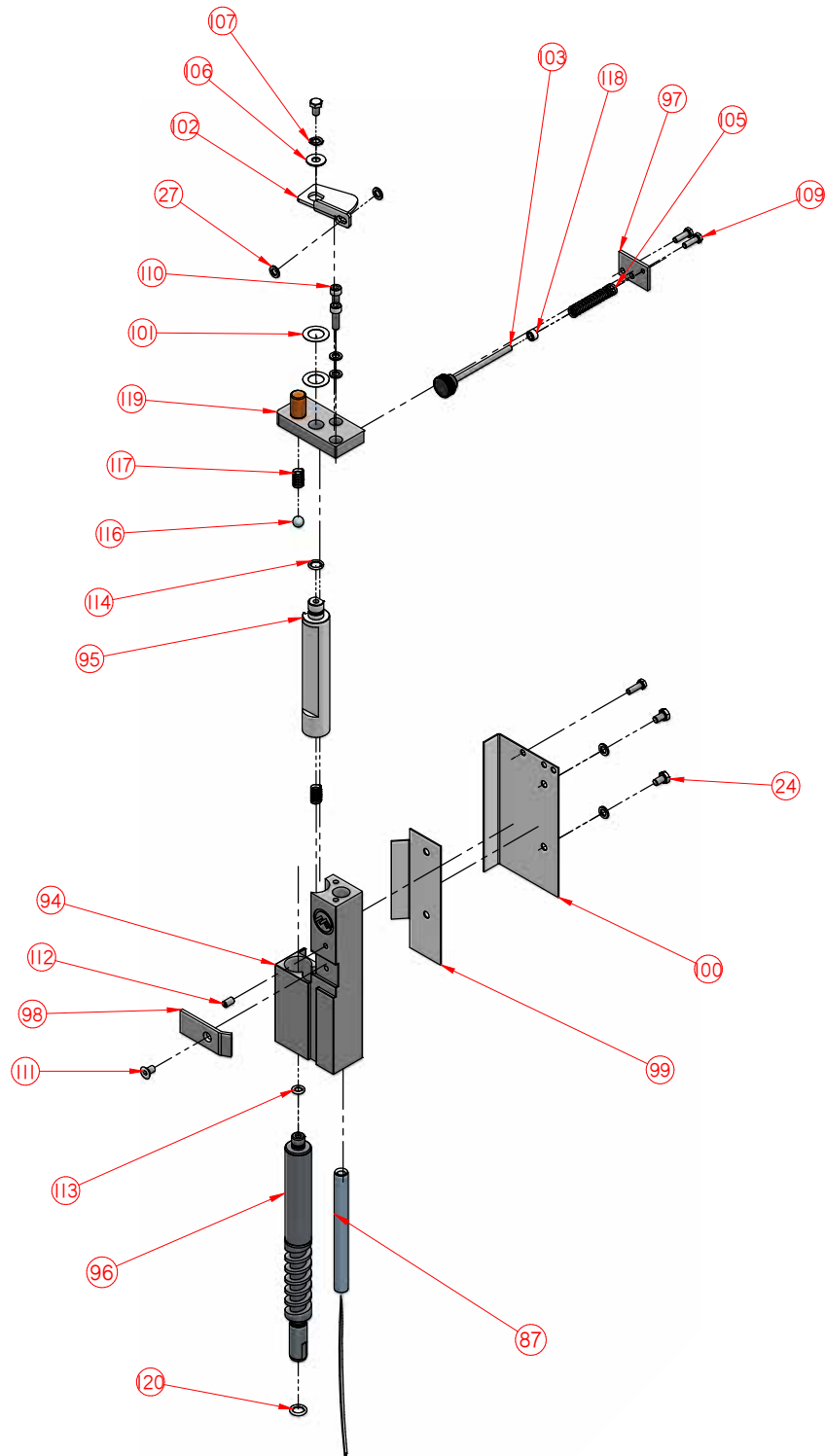
Item	Parts Name	Qty
61	FRONT TABLE	1
62	FLOW -RACK 990MM	4
63	HANDLE BUTTON M6X8	8



Item	Parts Name	Qty
19	FLAT WASHER M8 ZINC PLATED	4
22	HEX CAP SCREW M8X12 ZINC PLATED	4
24	HEX CAP SCREW M6X10 ZINC PLATED	6
27	FLAT WASHER M6 ZINC PLATED	6
64	ARTICULATED SUPPORT	1
65	ARTICULATED SUPPORT FOOT	1
66	HEX NUT 1/4" ZINC PLATED	4
67	HANDLE BUTTON 1/4"	2
68	ROLLER FIXING SUPPORT	2
69	FLOW-RACK 745 MM	3

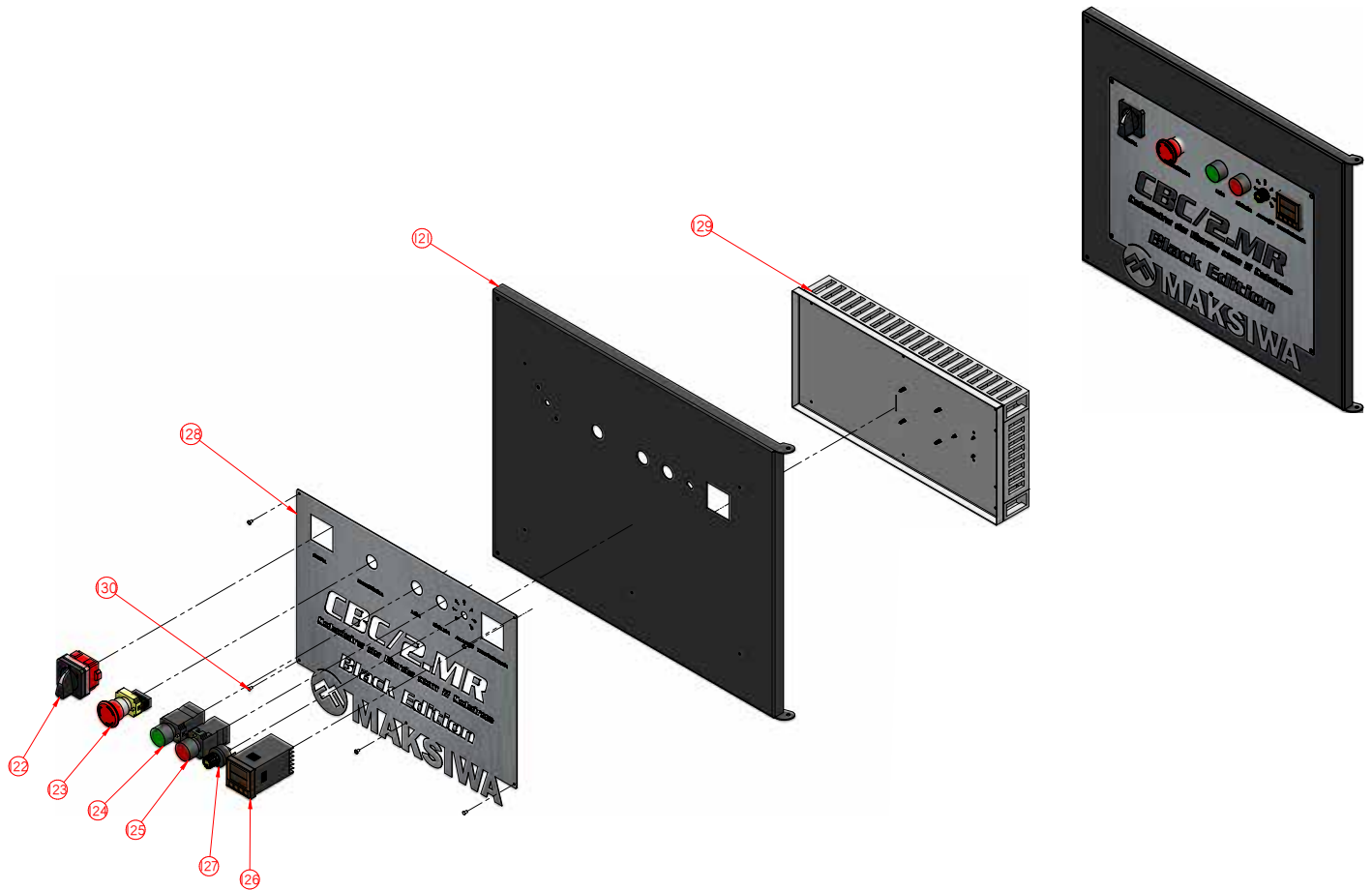


Item	Parts Name	Qty
24	HEX CAP SCREW M6X10 ZINC PLATED	3
27	FLAT WASHER M6 ZINC PLATED	4
42	HEX SOCKET HEAD CAP SCREW M6X25 ZINC PLATED	4
44	MACHINE SCREW PHILLIPS M6X12 ZINC PLATED	4
53	HEX NUT M6 ZINC PLATED	1
74	BOX GLUE	1
75	GLUE SYSTEM FIXER	1
76	PRESSURE BASE GLUE SYSTEM	1
77	BEARING BOTTOM HOUSING	1
78	LOWER RING	1
79	GEAR N10	1
81	POLYMER PLAIN BEARING	1
84	HEX CAP SCREW M6X20 ZINC PLATED	1
86	SOCKET SET SCREW CUP POINT M8X10	2
87	RESISTANCE CARTRIDGE	3
88	TEMPERATURE SENSOR THERMOCOUPLE TYPE J	1
89	RESISTANCE CARTRIDGE	3
90	REGULAR LOCK WASHER M8 ZINC PLATED	4
91	HEX CAP SCREW M8X20 ZINC PLATED PITCH 1.25	4
92	TRACTION SPRING ZINC PLATED LENGTH 29MM	1

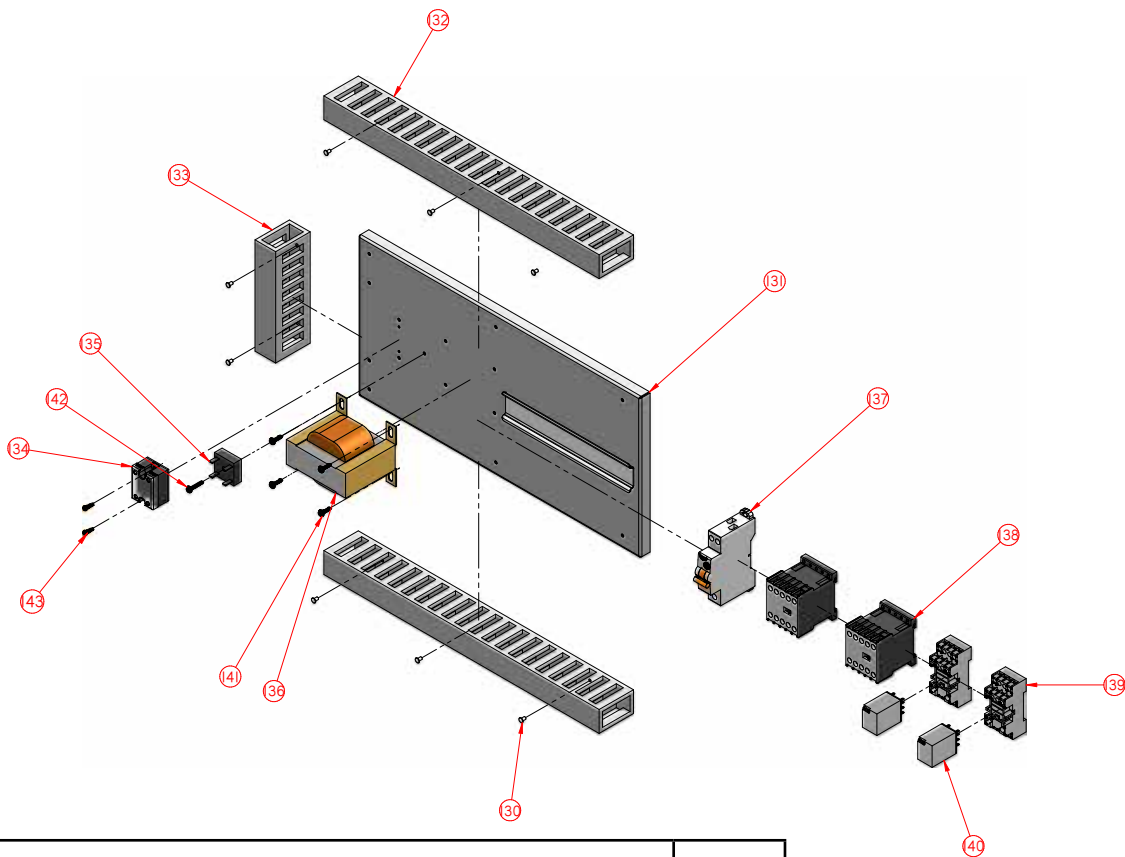




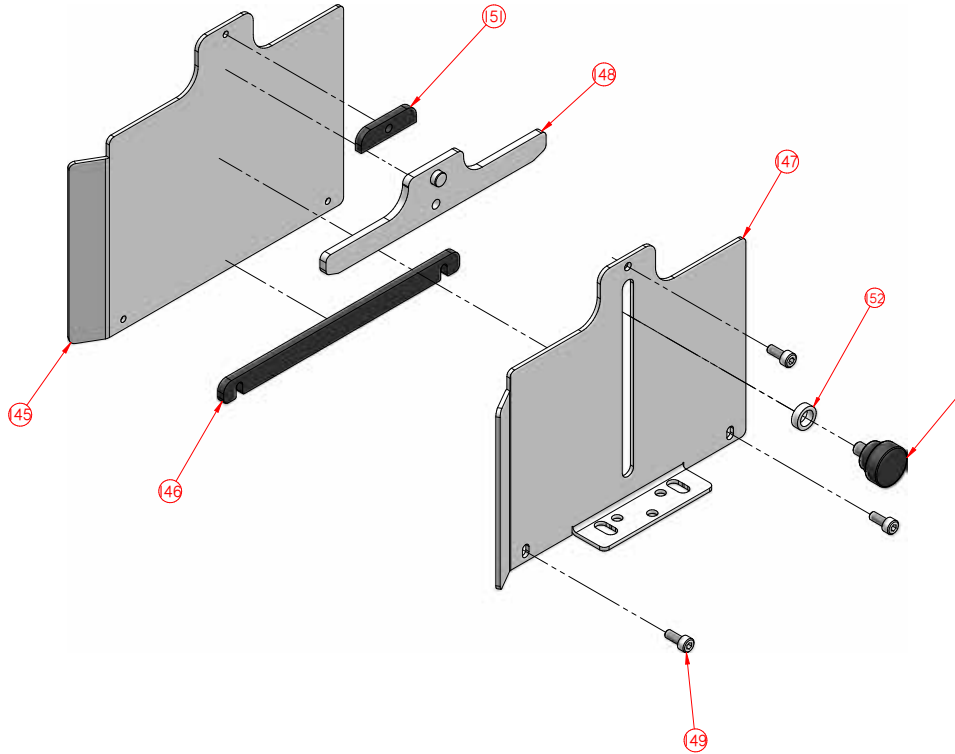
<b>Item</b>	<b>Parts Name</b>	<b>Qty</b>
24	HEX CAP SCREW M6X10 ZINC PLATED	3
27	FLAT WASHER M6 ZINC PLATED	6
87	RESISTANCE CARTRIDGE	1
94	PRESSURE BASE	1
95	SCRAPER	1
96	GLUE SHAFT	1
97	FIXED SCRAPER ADJUSTMENT	1
98	GLUE SYSTEM GUIDE	1
99	GLUE BUILDING PLATE	1
100	GLUE CLOSING PLATE	1
101	ADJUSTMENT WASHER	2
102	SCRAPER ADJUSTMENT	1
103	HANDLE BUTTON M5X75	1
105	COMPRESSION SPRING LENGHT 55MM ZINC PLATED	1
106	FLAT WASHER 1/4" ZINC PLATED	1
107	CORRUGATED FLAT WASHER M6	1
109	HEX CAP SCREW M5X16 ZINC PLATED	3
110	INTERNAL HEX SCREW M6X20 CB CYLINDER ZB STEP 1.0	2
111	FLAT HEAD SOCKET CAP SCREW M6X10 ZINC PLATED	1
112	SPCKET SET SCREW CUP POINT M6X10	1
113	O-RING 7X2,5	1
114	O-RING 10X2	1
116	STEEL SPHERE	1
117	COMPRESSION SPRING LENGTH 35MM ZINC PLATED	2
118	GEAR SPACER	1
119	HOUSING UPPER BEARING	1
120	O-RING 10,7X2X6	1



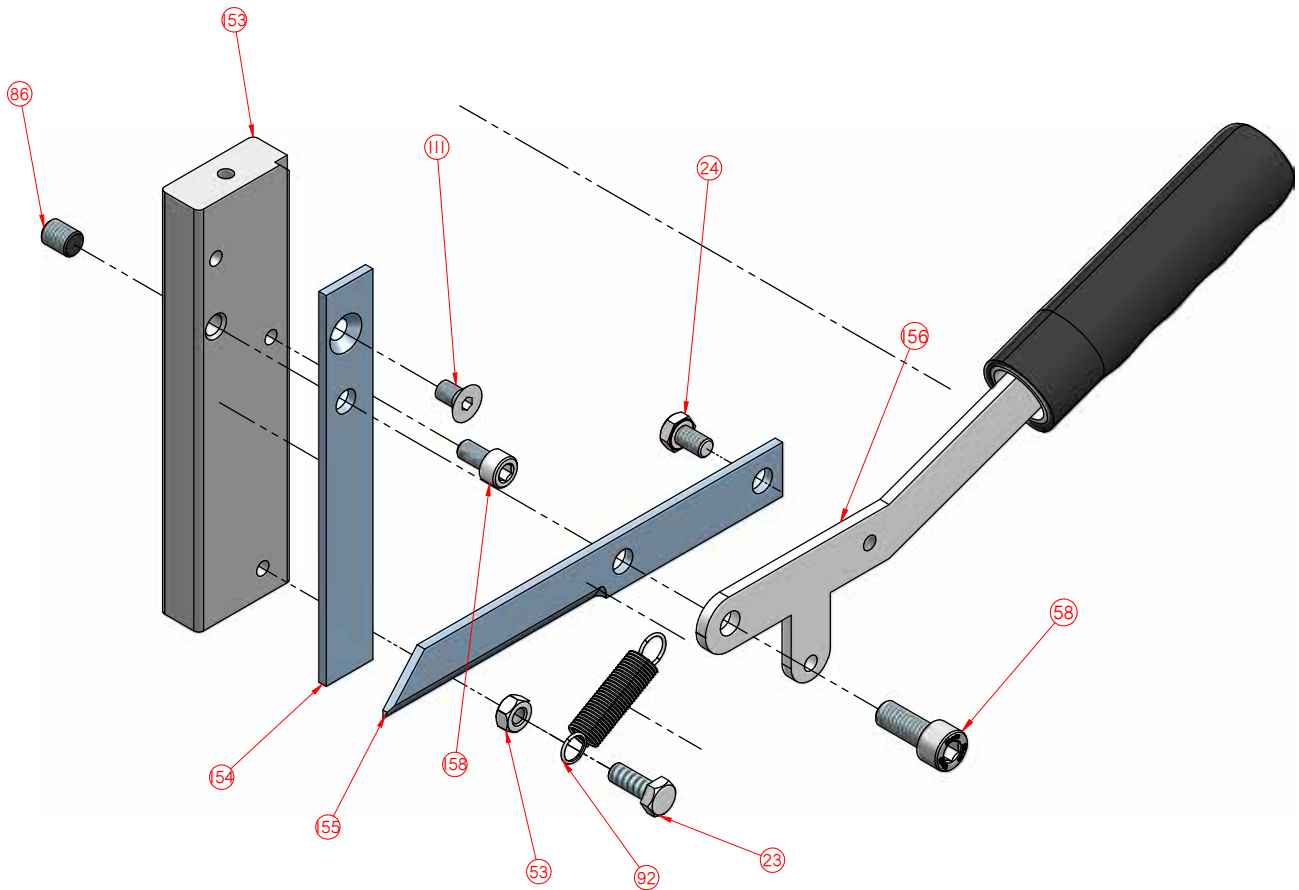
Item	Parts Name	Qty
121	CONTROL PANEL	1
122	DISCONNECT SWITCH	1
123	EMERGENCY PUSH BUTTON	1
124	SWITCH PUSH BUTTON ON	1
125	SWITCH PUSH BUTTN OFF	1
126	DIGITAL TEMPERATURE CONTROLLER	1
127	SPEED CONTROLLER	1
128	NAMEPLATE	1
129	ELECTRICAL PANEL SET	1
130	BLIND REVIT 3,2X10MM	5



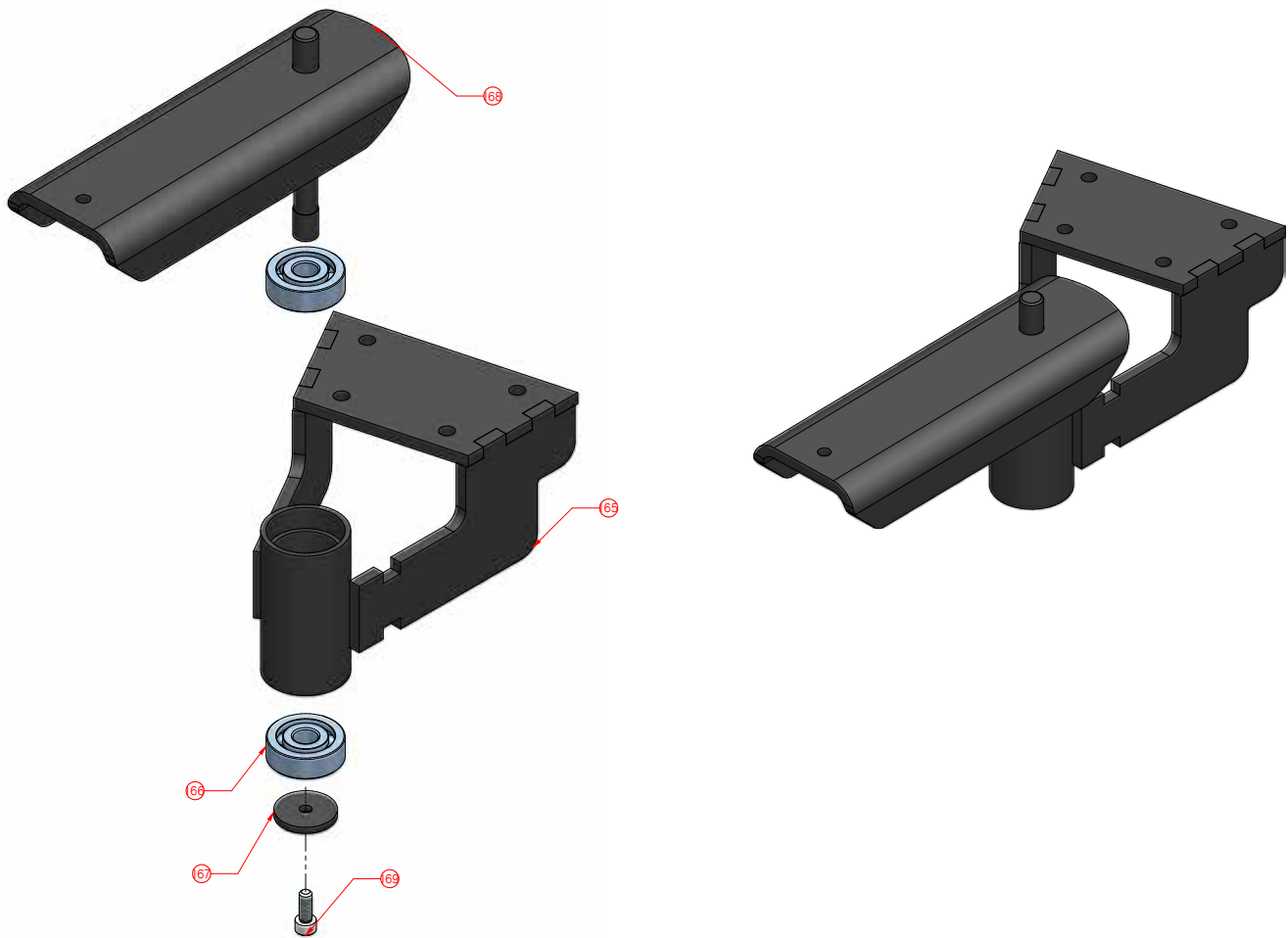
Item	Parts Name	Qty
130	BLIND REVIT 3,2X10MM	8
131	ELECTRICAL PANLE SET	1
132	LARGER CABLE DUCTS	2
133	SMALLER CABLE DUCT	1
134	SOLID STATE RELAY 25A	1
135	BRIDGE RECTIFIER	1
136	TRANSFORMER PRIMARY	1
137	CIRCUIT BREAKER	1
138	CONTACTOR	2
139	RELAY SOCKET	2
140	INTERFACE RELAY	2
141	SELF-TAPPING SCREW PHILLIPS 4X13 ZINC PLATED	4
142	SELF-TAPPING SCREW PHILLPIS 4X19 ZINC PLATED	1
143	SELF-TAPPING SCREW PHILLIPS 3X12 BRASS	2



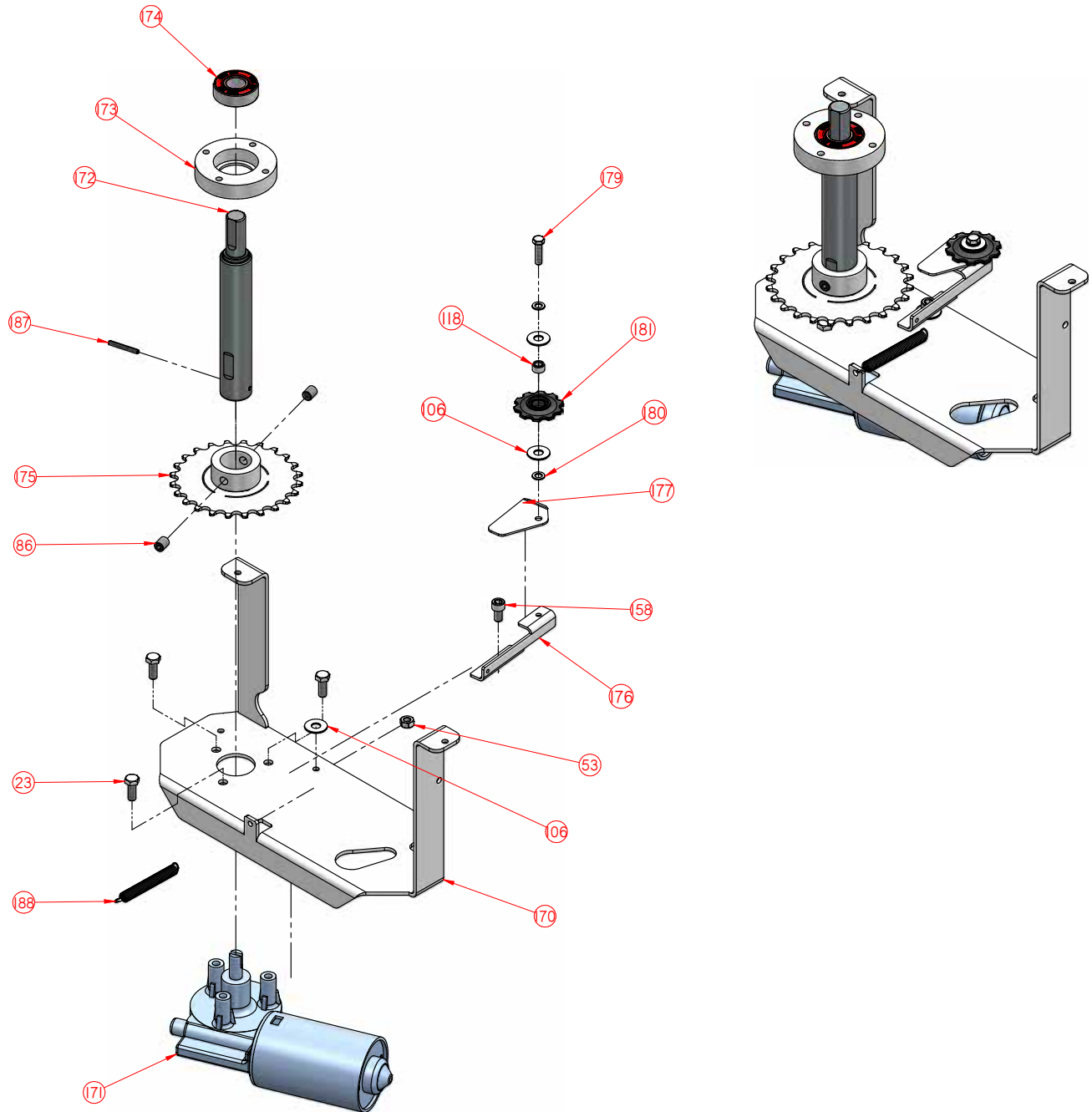
Item	Parts Name	Qty
63	HANDLE BUTTON M6X8	1
145	TAPE GUIDE BACK PLATE	1
146	TAPE GUIDE CENTER PLATE	1
147	TAPE GUIDE FRONT PLATE	1
148	MOBILE GUIDE	1
149	HEX SOCKET HEAD CAP SCREW M4X10 ZINC PLATED	3
151	EDGE GUIDE SPACER	1
152	SPACER ROLL	1



Item	Parts Name	Qty
23	HEX CAP SCREW M6X16 ZINC PLATED	1
24	HEX CAP SCREW M6X10 ZINC PLATED	1
53	HEX NUT M6ZINC PLATED	1
58	HEX SOCKET HEAD CAP SCREW M8X20 ZINC PLATED	1
86	SOCKET SET SCREW CUP POINT M8X10	1
92	TRACTION SPRING ZINC PLATED LENGHT 29MM	1
111	FLAT HEAD SOCKET CAP SCREW M6X10 ZINC PLATED	1
153	FIXED KNIFE SUPPORT	1
154	STRAIGHRT KNIFE	1
155	CUT KNIFE SUPPORT	1
156	MOBILE KNOFE HOLDER	1
158	HEX SOCKET HEAD SCREW M6X12 ZINC PLATED	1

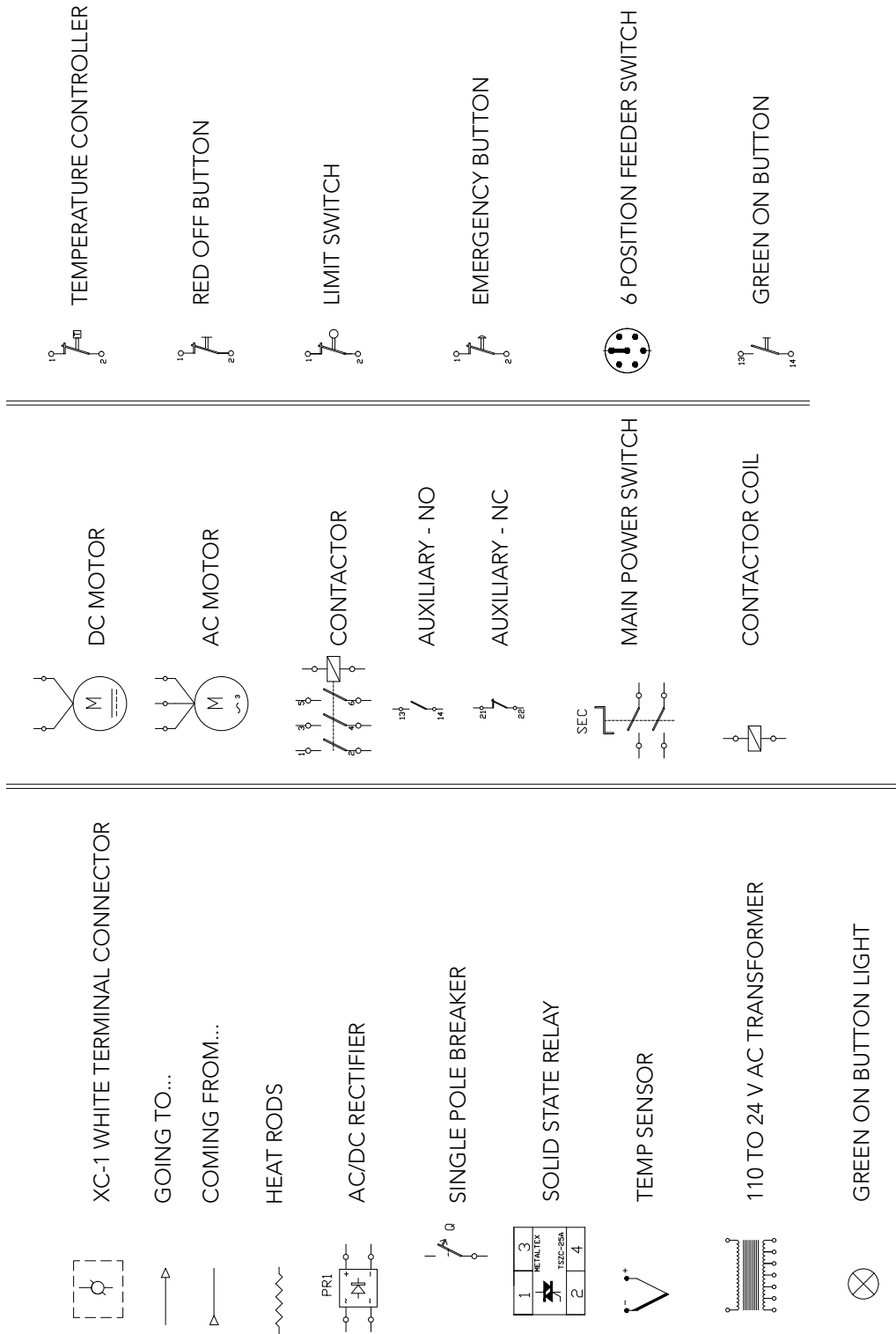


Item	Parts Name	Qty
165	BEARING HOUSING ROTARY	1
166	BEARING 6303 NO CLEARANCE	2
167	BEARING HOUSING FLAT WASHER	1
168	SUPORT JOINT	1
169	HEX SOCKET HEAD CAP SCREW M6 ZINC PLATED	1

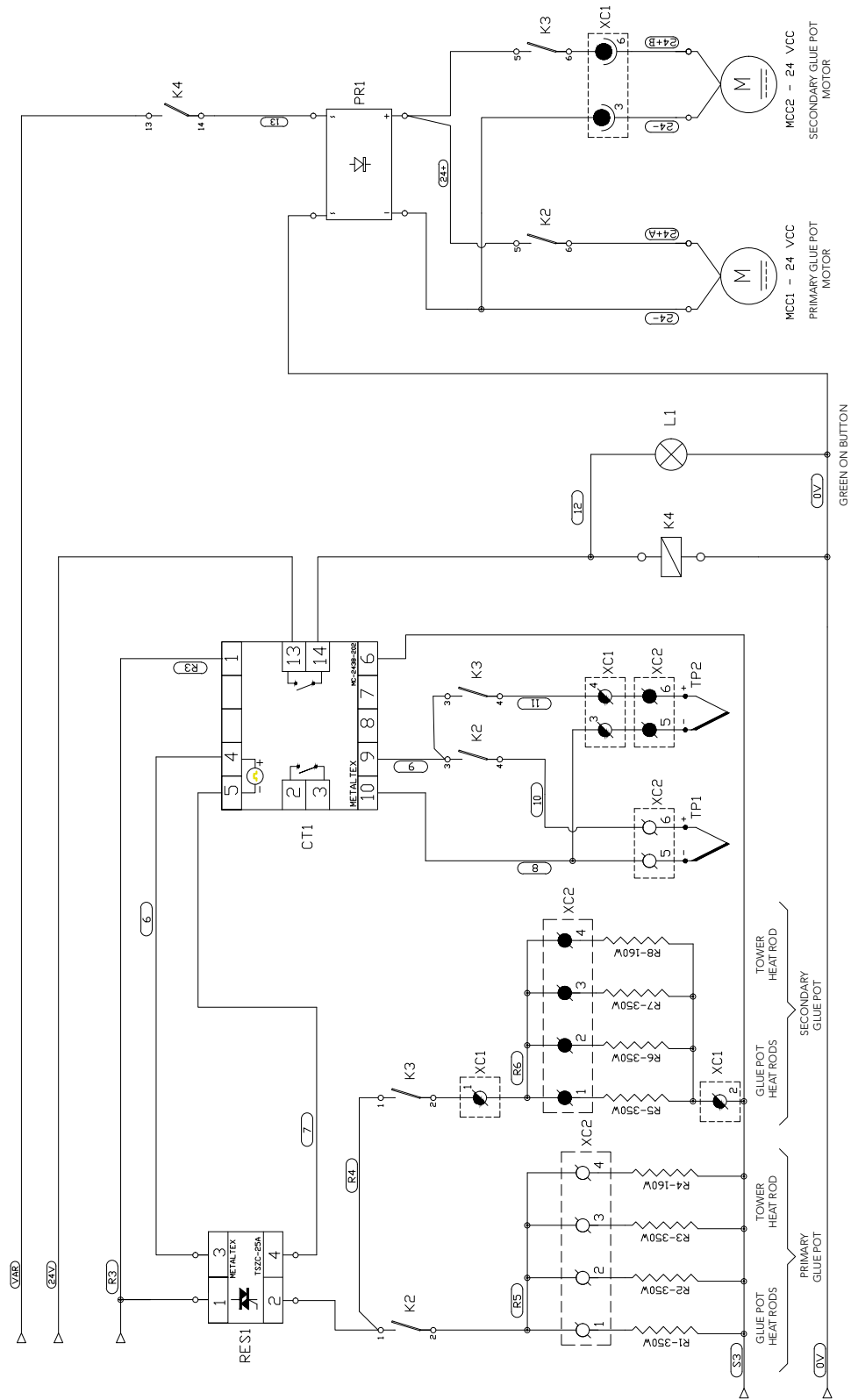


Item	Parts Name	Qty
23	HEX CAP SCREW M6X16 ZINC PLATED	3
53	HEZ NUT M6 ZINC PLATED	1
86	SOCKET SET SCREW CUP POINT M8X10	2
106	FLAT WASHER 1/4" ZINC PLATED	3
118	GEAR SPACER	1
158	HEZ SOCKET HEAD CAP SCREW M6X12 ZINC PLATED	1
170	MOTOR SUPPORT SET	1
171	MOTO REDUCER COMPACT 24V DC	1
172	PROLONGER AXIS	1
173	BEARING HOUSING OF DRIVING ROLL	1
174	BEARING 6202 2RS/LLU/DDU/NSE/ WITHOUT CLEARENCE	1
175	PINION Z24	1
176	STRETCHER ROD	1
177	CHAIN STRETCHER GUIDE OF THE GLUEING DEVICE	1
179	HEX CAP SCREW M5X20 ZINC PLATED PITCH 0.8	1
180	FLAT WASHER M5 ZINC PLATED	2
181	GEAR RED MOD SX-50 SIDE 38X24X16	1
187	ELASTIC PIN 3MMX25MM	1
188	TRACTION SPRING ZINC PLATED LENGTH 56MM	1



**8 Wiring Diagram**


<b>Item Name list- CBC.2/MR</b>		
<b>Item</b>	<b>Description</b>	<b>Application</b>
SEC	MAIN ON/OFF SWITCH	Main Power
Q1	CIRCUIT BREAKER	Over Current Protection
K1	MAIN CONTACTOR 24V AC	General Power
K2	PRIMARY GLUE POT CONTACTOR 24V AC	Primary Glue Pot Heating
K3	SECONDARY GLUE POT CONTACTOR 24V AC	Secondary Glue Pot Heating
K4	MOTOR CONTACTOR 24V AC	Primary and Secondary Motor Power
BO	EMERGENCY BUTTON	Emergency Shut-off
BO.1	RED OFF BUTTON	Shut-off Operations
B1 + H2	GREEN ON BUTTON	Turns On Operations
CT1	TEMPERATURE CONTROLLER	Controls Temperature in the Glue Pot
RES1	SOLID STATE RELAY	Sends Power to the Heat Rods
FC1	LIMIT SWITCH #1	Enables Primary Glue Pot
FC2	LIMIT SWITCH #2	Enables Secondary Glue Pot
CH1	FEEDER SWITCH 6-POSITION	Controls Speed of Rollers
PR1	AC/ DC RECTIFIER 10 AMPS	Changes 9-24 AC to 9-24V DC
M1	24 VOLTS MOTOR	Primary Motor
M2	24 VOLTS MOTOR	Secondary Motor
XC1	WHITE TERMINAL CONNECTOR	Wire Connector
XC2	WHITE TERMINAL CONNECTOR	Wire Connector
TF1	TRANSFORMER	Transforms 110 to 9-24V AC
TP1	TEMP SENSOR PRIMARY GLUE POT	Senses temperature of primary Glue Pot
TP2	TEMP SENSOR SECONDARY GLUE POT	Senses temperature of Secondary Glue Pot
L1	GREEN BUTTON LIGHT	Turns On When Glue Pot is at Temperature





## 7 Terms of Warranty

MAKSIWA assures the owner that their equipment, identified by the Serial number issued on the Warranty Terms.

The equipment under warranty, for two (2) years, is as followed:

1. The warranty period begins on the date of the Warranty Terms below.
2. Within the warranty period, the manual labor and the components replaced by manufacturing defect will be provided for free if duly proved by Maksiwa Service.
3. Third-party manufacturing equipment that makes up the MAKSIWA equipment (such as motors, electrical equipment, belts etc.) are subject to the terms and conditions of warranty of their respective manufacturers.
4. In case an exchange of machine is needed, please return the defective part or machine to MAKSIWA.
5. All workplace adaptations for the equipment are under the responsibility of the machine owner.
6. If you notice any defect or malfunction when receiving the equipment, get in touch immediately with the manufacturer or Dealer. Do not turn it on.
7. Not included in this warranty is any technical visits aimed at cleaning or adjustments caused by wear, resulting from normal use of the equipment.
8. The warranty does not cover problems caused by mistreatment, carelessness, misuse or inappropriate use of the functions designed for this equipment in this manual, as well as poorly executed operations by untrained operators to operate it.
9. MAKSIWA is not responsible for lost productivity, direct or indirect damages caused to the owner of the equipment or to third parties, or any other expense, including lost profits.
10. This equipment requires the use of a dust collection system with a minimum of 2 hp.
11. Even under warranty, you may lose its validity as follows:
  - a) Application of non-original components;
  - b) Alteration of its original features;
  - c) Lack of proper maintenance;
  - d) Improper use of the equipment;
  - e) Change in equipment or electronic connections;
  - f) Damage caused by mechanical shock or exposure to unsuitable conditions (humidity, salt spray, corrosive agents, etc.);
  - g) Damage caused by bad weather (floods, flooding, lightning, power outages etc.);
  - h) Maksiwa is not responsible for damages to electrical components cause by power variation in your area.

For your safety, trust the repairs, maintenance and adjustments (including inspection and replacement) for technical assistance recommended by MAKSIWA, always use genuine spare parts and accessories, reassembling to its original machine the same way.

MODEL:

SERIAL NUMBER:

DATE:

LOT NUMBER:

**Imported by:**

**Maksiwa International Inc.**

**4100 N Powerline Rd, Suite D3**

**Pompano Beach, Florida**

**ZIP Code: 33073**

**Telephone: +1 (754) 205-6717 | Call us free: +1 (844) 319-6594**

**E-mail: [tech@maksiwa.com](mailto:tech@maksiwa.com)**

**[www.maksiwa.com](http://www.maksiwa.com)**