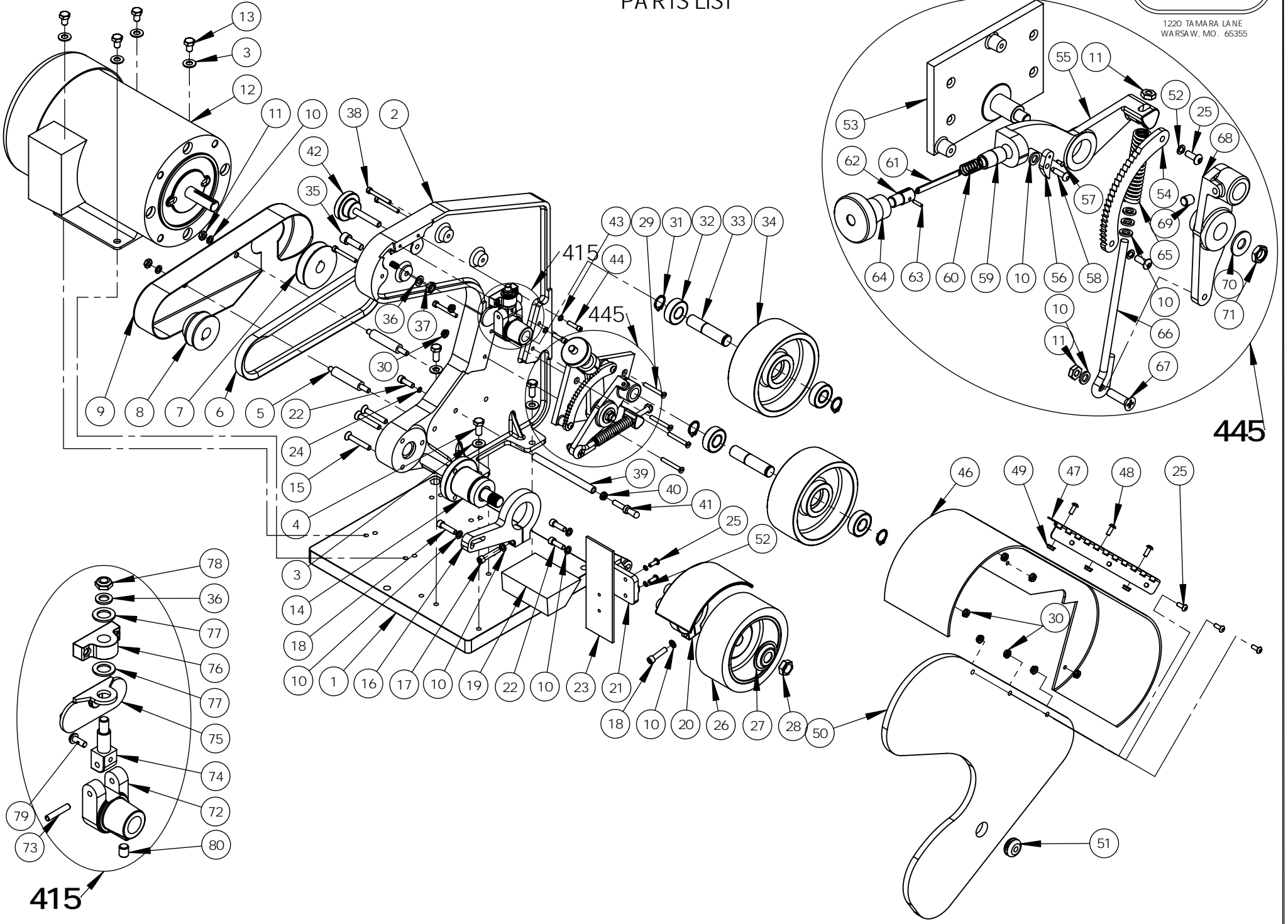


MODEL 482

PARTS LIST

BURR KING

1220 TAMARA LANE
WARSAW, MO. 65355



482			
ITEM NO.	PART NUMBER	DESCRIPTION	QTY.
1	731	BASE, MACHINE	1
2	400	FRAME	1
3	4	WASHER, 5/16 SAE ZINC PLTD	8
4	37	BOLT, 5/16-18x3/4 HEX HEAD	4
5	728A	STUD, GUARD, V, BELT	2
6	429	BELT, V DRIVE	1
7	725	PULLEY, 2.5	1
8	425	PULLEY, 2.0	1
9	428	GUARD, V-BELT	1
10	5	WASHER, 1/4 AN	11
11	3	NUT, 1/4-20 JAM, PLTD	4
12	MOTOR	MOTOR	1
13	2	BOLT, 5/16-18x1 1/2 HEX HEAD	4
14	701	BEARING, CONTACT WHEEL ASSY	1
15	6	SCREW 1/4-20 x 1 1/2 FH SOC	3
16	405-1	ARM, WORKREST SUPPORT	1
17	31	SCREW 1/4-20x1 1/4 SHCS	1
18	30	SCREW 1/4-20x1 SHCS	2
19	706-1	WORKREST, ANTI-TILT	1
20	403	GUARD, CONTACT WHL.	1
21	404B	BRACKET, BACKUP	1
22	209	SCREW, 1/4-20 X 3/4 ALLEN HEAD	3
23	404A	PLATEN, BACKUP	1
24	5-0032	WASHER, 1/4, LOCK, SPLIT	1
25	9	SCREW, 10-24x1/2 BH, BLK OXIDE	7
26	402	WHEEL, CONTACT, 5x2	1
27	726	FLANGE, OUTER WHL.	1
28	727	NUT, 5/8-18 RH, JAM, BRT PLT	1
29	7	SCREW, 10-24 x 1 1/2 FLATHD	4
30	14	NUT, 10-24, KEP	11
31	701F	RING, RETAINING	4
32	701B	Bearing 5/8 x 1 3/8 x .432	4
33	707c	SHAFT, BEARING	2
34	407	WHEEL, IDLER, w/BRGS. & SHAFT	2
35	421A	SCREW, 3/8-16 X 1 1/2 AHC S	1
36	18	WASHER, 960-516, AN	2
37	4-0009	NUT, 3/8-16, JAM, PLTD	1
38	8	SCREW, 10-24 x 1-1/2, BUTTON	4
39	942C -4	STANDOFF, DOOR	1
40	4-0013	NUT, KEP, 1/4-20	1
41	742L	LATCH, SAFETY GUARD DOOR	1
42	711	KNOB ASSY, TRACKING	1
43	5-0035	WASHER, # 10, LOCK, HIGH COLLAR	2

482			
ITEM NO.	PART NUMBER	DESCRIPTION	QTY.
44	13	SCREW, 10-24 x 3/4, SOC, HD, CAP	2
45	338	SPRING, TRACKING	1
46	442A	GUARD, SAFETY	1
47	742E	HINGE, GUARD TO DOOR	1
48	24	SCREW, 6-32 x 1/2, MACH	3
49	23	NUT, 6-32, KEP, PLTD	3
50	442B-1	DOOR, GUARD	1
51	742 H	GROMMET	1
52	15	WASHER, 5/16 LOCK, SPLIT	4

445			
ITEM NO.	PART NUMBER	DESCRIPTION	QTY.
53	434	PLATE, BASE w/STUD	1
54	736	SECTOR	1
55	437G	HANDLE, REAR WHEEL	1
56	437F	PAWL, REAR WHEEL	1
57	28	SCREW, DRIVE, # 2 x 1/4	1
58	27	SCREW, DRIVE, # 8 X 5/8	1
59	737E	NIPPLE, PIPE	1
60	737D	SPRING, BUTTON	1
61	437C	STRIP	1
62	737B	BUTTON	1
63	26	PIN, 3/32 x 3/8, ROLL PLTED	1
64	737A	KNOB, REAR TENSION ARM	1
65	438	SPRING, BELT TENSION	1
66	739	GUIDE, SPRING	1
67	34	SCREW, 1/4-20 X 1, FH PHILLIPS	1
68	435	SUPPORT, REAR WHEEL	1
69	25	SCREW, SET, 5/16-18 X 3/8, ALLEN	1
70	40	WASHER, SAE, 3/8	1
71	39	NUT, 3/8-24, JAM, ESNA, NTE	1

415			
ITEM NO.	PART NUMBER	DESCRIPTION	QTY.
72	414	SUPPORT, BEARING, UPPER	1
73	424	PIN, 3/16 X 1 1/2, ROLL	1
74	416	SWIVEL, UPPER WHEEL	1
75	410	BRACKET, TRACKING	1
76	717	HOLDER, SWIVEL	1
77	16	WASHER, 960-716, AN	2
78	19	NUT, 5/16-24, ESNA	1
79	29	SCREW, 10-32 X 1/2 BH	1
80	25	SCREW, SET, 5/16-18 X 3/8, ALLEN	1



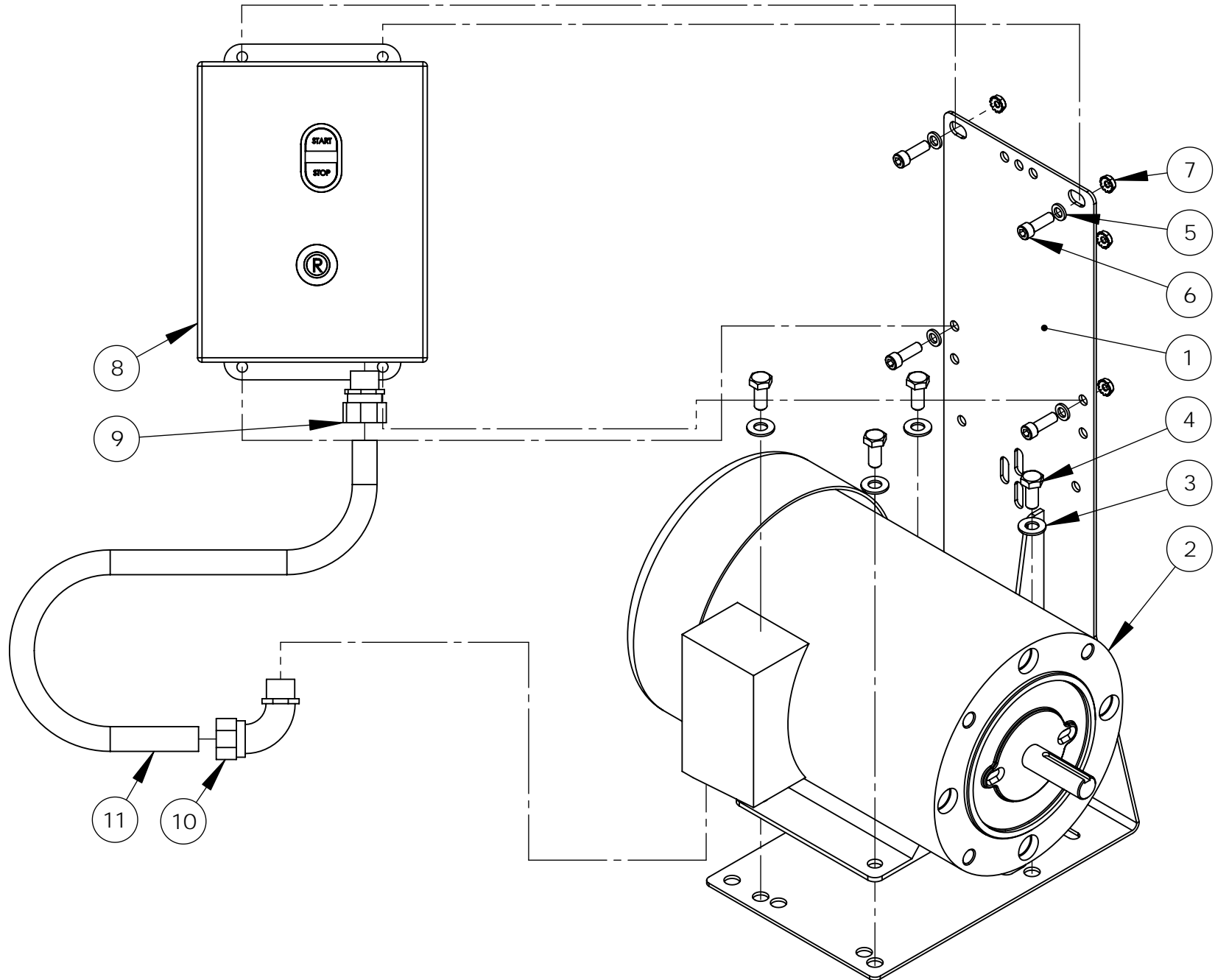
* 011C ROCKER SWITCH FOR 1 PH.

MAG STARTER

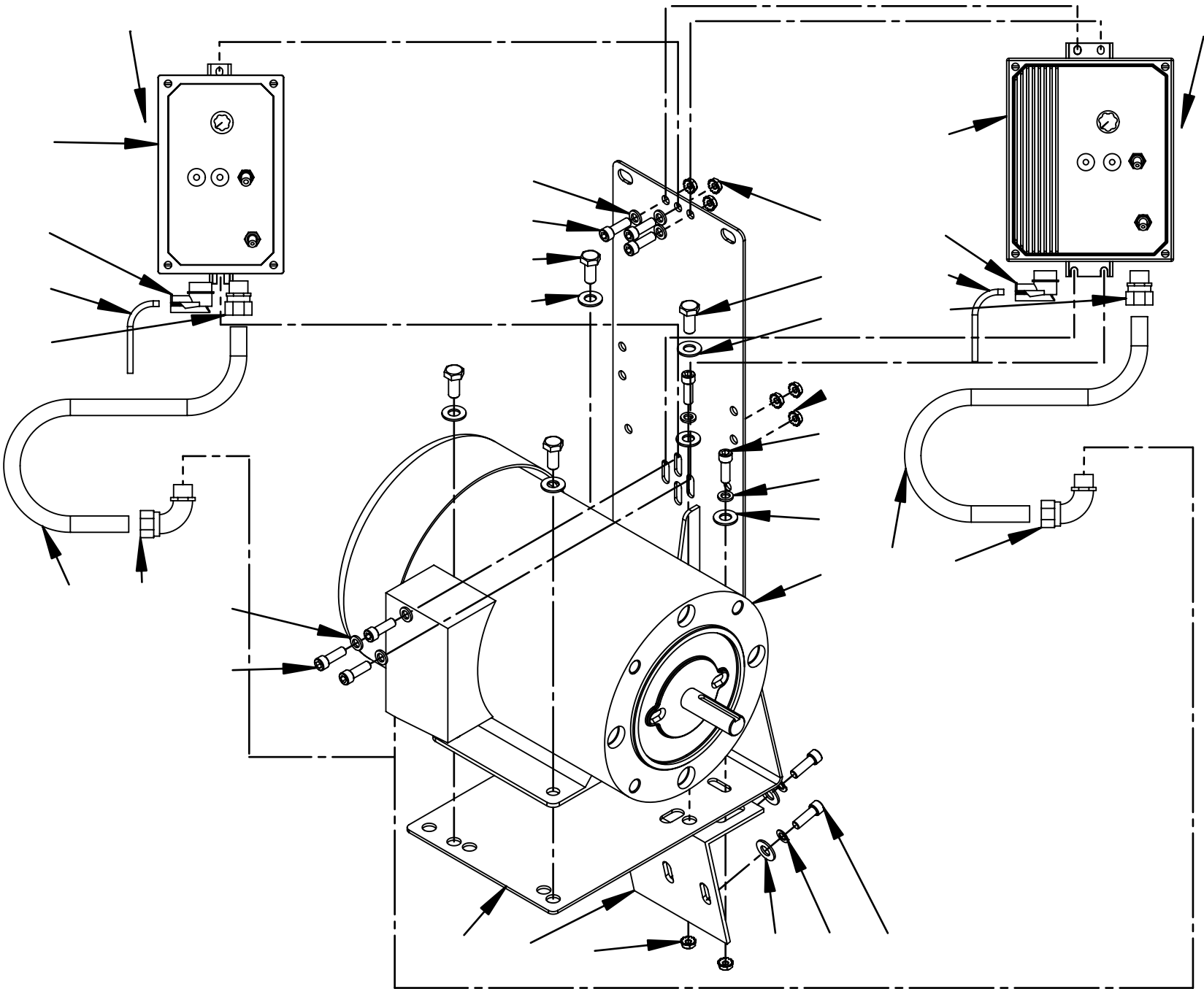
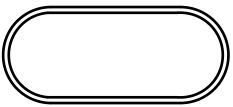
PARTS LIST

BURR KING

1220 TAMARA LANE
WARSAW, MO. 65355



MAG STARTER			
ITEM NO.	PART NUMBER	DESCRIPTION	QTY.
1	MB-4C	BRA C KET, MO UNTING , STA RTER	1
2	MO TOR	CA LL FAC TO RY FO R PA RT NU MBER	1
3	4	WA SHER, 5/16 SA E ZINC PLTD	4
4	37	BO LT, 5/16-18x3/4 HEX HEA D	4
5	5	WA SHER, 1/4 A N	4
6	209	SC REW, 1/4-20 X 3/4 ALLEN HEA D	4
7	4-0013	NUT, KEP, 1/4-20	4
8	MS2A 3 MS4A 3 MS2B3 MS4B3	3/4HP-1HP, 220V 3/4HP-1HP, 440V 1.5HP-3HP, 220V 1.5HP-3HP, 440V	1
9	775	CO NNEC TO R, 3/8", STR, LIQ. TIG HT	1
10	776	CO NNEC TO R, 3/8", 90 DEG , LIQ. TIG HT	1
11	020	CO NDUIT 3/8" LIQUID TIG HT	1



VARI SPEED			
ITEM NO.	PART NUMBER	DESCRIPTION	QTY.
1	MB-4C	BRA C KET, MO UNTING , STA RTER	1
2	941-3	BRA C E, MB4 SUPPO RT	1
3	5-0032	WA SHER, 1/4, LO C K, SPLIT, PLTD	2
4	4	WA SHER, 5/16 SA E ZINC PLTD	8
5	209	SC REW, 1/4-20 X 3/4 ALLEN HEAD	10
6	5	WA SHER, 1/4 AN	8
7	4-0013	NUT, KEP, 1/4-20	8
8	100B-1725C 150B-1725C	1 HP MO TOR 1.5 HP MO TOR	1
9	37	BO LT, 5/16-18x3/4 HEX HEAD	4
10	015-1 017	120V CO RD 220V CO RD	1
11	020	CO NDUIT 3/8" LIQ UID TIG HT	1
12	864-1	CO NT. 115/220V 0.75-1HP	1
13	775	CO NNEC TOR, 3/8" STR, LIQ. TIG HT	1
14	776	CO NNEC TOR, 3/8", 90 DEG , LIQ. TIG HT	1
15	643	RELIEF, STRA IN 3/8" 90 DEG	1
16	862-3	CO NT. 115/220V 1.5-3HP	1

NOTE

FOR 3 PHASE CO NTR OLLER CA LL FA C TO RY.

CE CERTIFICATION PART NUMBERS

ADD TO CONTROLLER

ITEM NO.	PART NUMBER	DESCRIPTION	QTY.
12	9974-6	LINE FILTER	1
16	9974-5	LINE FILTER	1
CHANGE PART			
15	3356	RELIEF, STRA IN	1
10	CE CO RD	NO PLUG - C US TO MER INSTA LLED PLUG	1