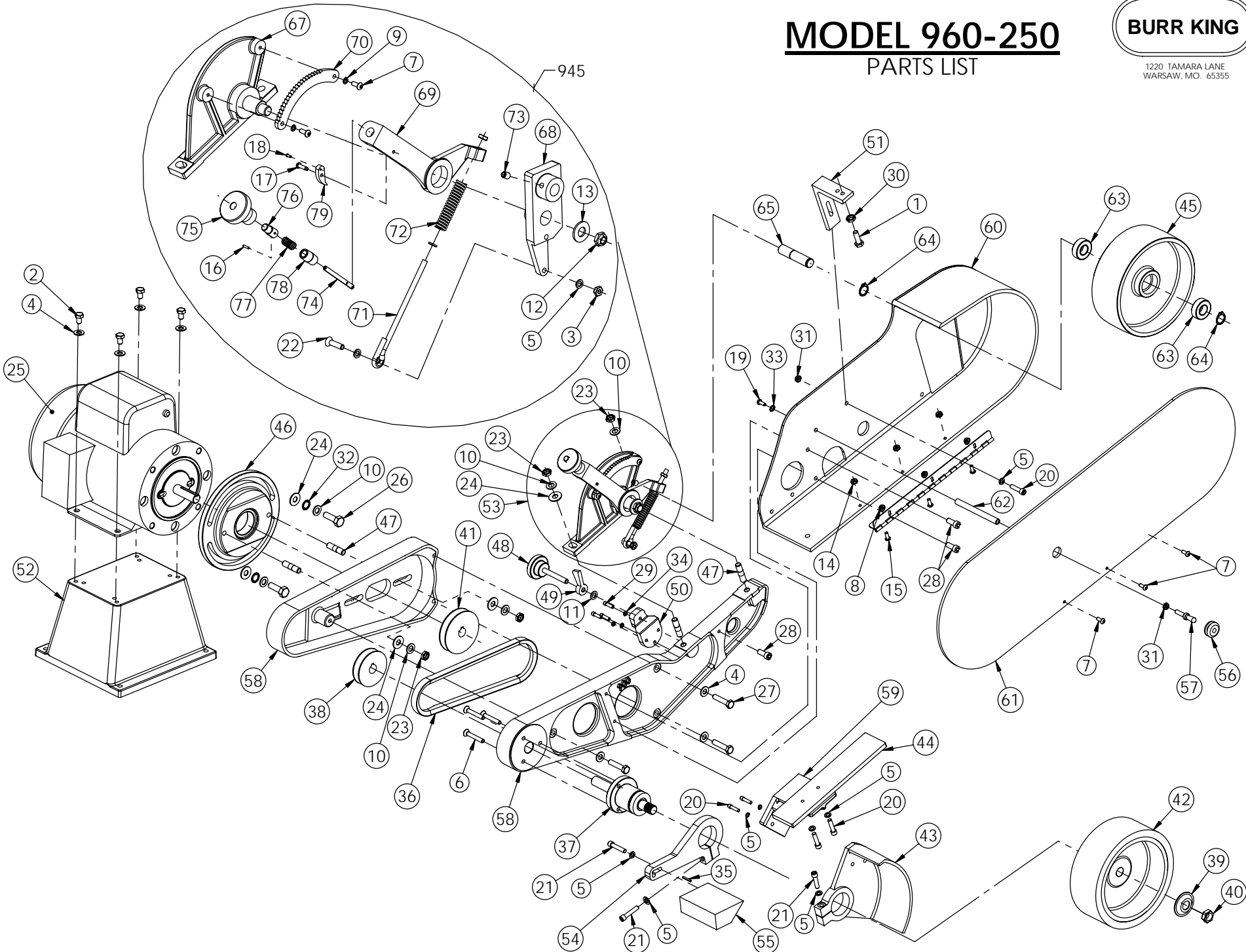


# MODEL 960-250

## PARTS LIST

**BURR KING**

1220 TAMARA LANE  
WARSAW, MO. 65355



# MODEL 960-250

## PARTS LIST

### ITEM 53 LIST - 945

ITEM #	PART #	DESCRIPTION
1	1	BOLT, 5/16-18x1, HH, GRD 5, PLTD
2	2	BOLT, 5/16-18x1 1/2 HEX HEAD
3	3	NUT, 1/4-20 JAM, PLTD
4	4	WASHER, 5/16 SAE ZINC PLTD
5	5	WASHER, 1/4 AN
6	6	1/4-20 x 1 1/2 FH SOC
7	9	SCREW, 10-24x1/2 BH, BLK OXIDE
8	14	NUT, 10-24, KEP
9	15	WASHER, 5/16 LOCK, SPLIT
10	17	WASHER, 960-616, AN
11	18	WASHER, 960-516, AN
12	20	NUT, NYLOK JAM, 1/2-20
13	21	WASHER, 1/2 ID
14	23	NUT, 6-32, KEP, PLTD
15	24	SCREW, 6-32 x 1/2, MACH
16	26	PIN, 3/32 x 3/8, ROLL PLTED
17	27	SCREW, DRIVE, #8 X 5/8
18	28	SCREW, DRIVE, #2 x 1/4
19	29	SCREW, 10-32 X 1/2 BH
20	30	1/4-20x1 SHCS
21	31	1/4-20x1 1/4 SHCS
22	34	SCREW, 1/4-20 X 1, FH PHILLIPS
23	39	NUT, 3/8-24, JAM, ESNA, NTE
24	40	WASHER, SAE, 3/8
25	MOTOR	MOTOR
26	1-0003	3/8-16 x 1 1/4 HEX HEAD BOLT
27	1-0019	BOLT, 5/16-18x1 1/2 HEX HEAD
28	2-0001	1/4-20x1 1/4 SHCS
29	2-0023	SCREW, 10-24 X .625 ALLEN HEAD
30	4-0009	NUT, 3/8-16, JAM, PLTD
31	4-0013	NUT, KEP, 1/4-20
32	5-0014	WASHER, LOCK 3/8, INTERNAL STAR
33	5-0032	WASHER, 1/4, LOCK, SPLIT, PLTD
34	5-0036	WASHER, #8, LOCK, INTERNAL
35	6-0014	PIN, 1/8 X 3/4, ROLL PLTED

ITEM #	PART #	DESCRIPTION
36	429	BELT, V DRIVE
37	701	BEARING, CONTACT WHEEL ASSY
38	725	PULLEY, 2 1/2
39	726	WASHER, SPRING FLANGE
40	727	NUT, 5/8-18 RH, JAM, BRT PLT
41	730	PULLEY, 3
42	802	CONTACT WHEEL, 7x2.5, 55 DURO
43	903	GUARD, CONTACT WHEEL
44	904A	PLATEN
45	907	WHEEL, IDLER, 7x2.5
46	908	ADAPTER, C-FACE MOTOR
47	920	STUD 3/8"x1 1/2", DOUBLE
48	921	KNOB, TRACKING ASSY
49	922	LOCK, KNOB, TRACKING
50	923	BRACKET, TRACKING
51	924	SUPPORT, BACKUP
52	941	BASE
53	945	QUICK CHANGE, REAR WHEEL
54	705-1	ARM, WORKREST SUPPORT
55	706-1	WORKREST, ANTI-TILT
56	742H	GROMMET, SAFETY GUARD DOOR
57	742L	LATCH, SAFETY GUARD DOOR
58	900A	FRAME/GUARD ASSY, 960-250
59	904B	BRACKET, PLATEN
60	942A	GUARD, SAFETY, PAINTED
61	942B-1	DOOR, GUARD, NEW STYLE, PAINTED
62	942C-2	STANDOFF, DOOR
63	701B	BEARING, 5/8 x 1 3/8 x .432
64	701F	WHEEL, IDLER CIR-CLIP
65	707C	SHAFT, BEARING
66	742E	HINGE

ITEM #	PART #	DESCRIPTION
67	940	SUPPORT, IDLER WHEEL
68	935	SUPPORT, REAR WHEEL
69	937G	HANDLE
70	736	RACHET
71	939	GUIDE, SPRING
72	738	SPRING, BELT TENSION
73	25	SCREW, SET, 5/16-18 X 3/8, ALLEN
74	937C	STRIP
75	737A	KNOB, REAR TENSION ARM
76	737B-1	BUTTON
77	737D	SPRING, BUTTON
78	737E	NIPPLE, PIPE
79	737F	PAWL

**BURR KING**

1220 TAMARA LANE  
WARSAW, MO. 65355

**M960-250**  
BASIC DIMENSIONS

**NOTE:**  
- ALL DIMENSIONS  
ARE IN INCHES

