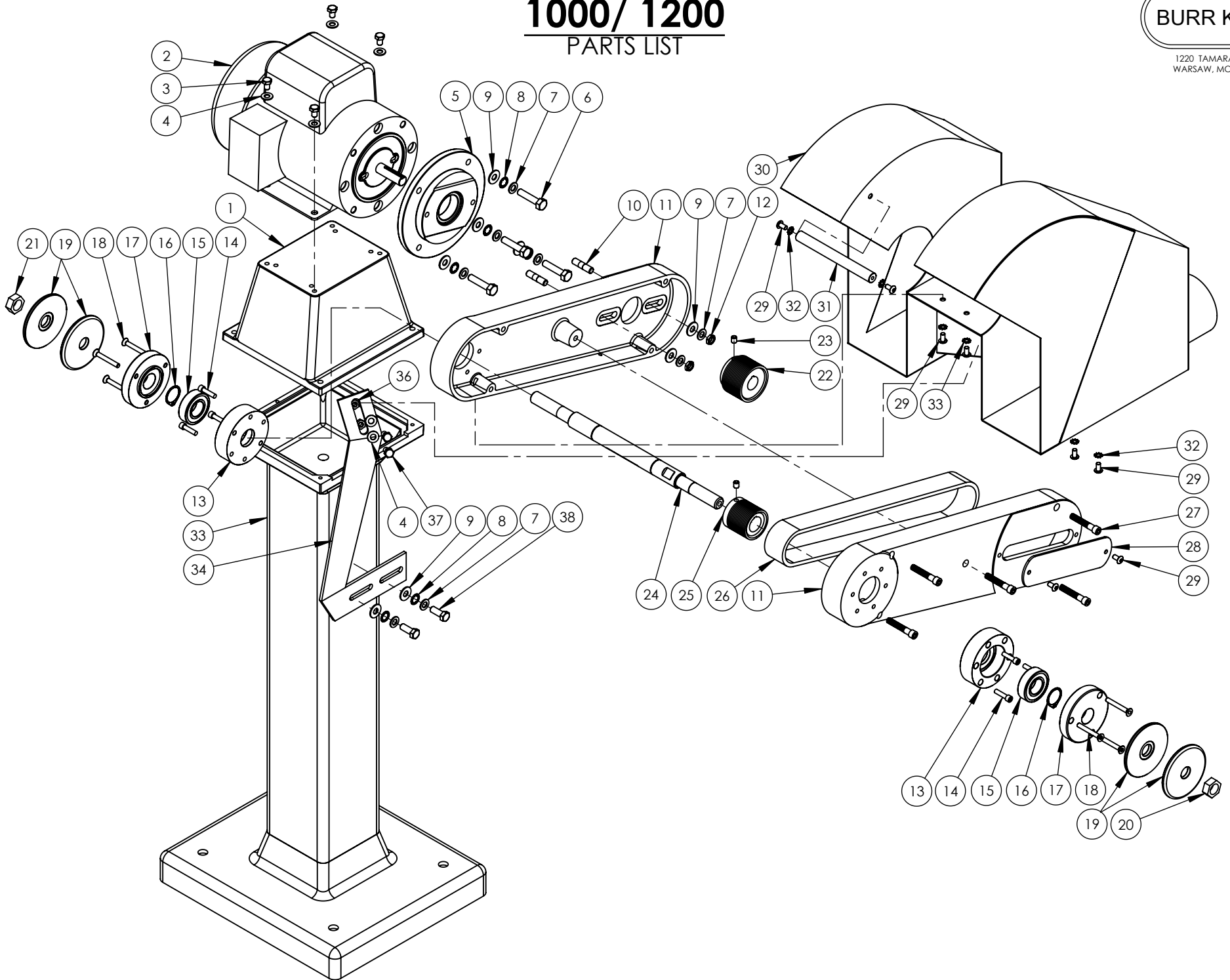


1000/ 1200

PARTS LIST

BURR KING

1220 TAMARA LANE
WARSAW, MO. 65355



1000/ 1200			
ITEM NO.	PART NUMBER	DESCRIPTION	QTY.
1	941	BASE	1
2	MOTOR	CALL FACTORY	1
3	2	BOLT, 5/16-18x1 1/2 HEX HEAD	4
4	4	WASHER, 5/16 SAE ZINC PLTD	6
5	908-1	ADPTER, C-FACE	1
6	1-0003	BOLT, 3/8-16 x 1 1/4 HEX HEAD	4
7	17	WASHER, 960-616, AN	8
8	5-0014	WASHER, LOCK 3/8, INTERNAL STAR	6
9	42	WASHER, SAE, 3/8	8
10	920	STUD 3/8"x1 1/2", DOUBLE	2
11	1026	FRAME, ASSEMBLY	1
12	39	NUT, 3/8-24, JAM, ESNA, NTE	2
13	1033	MOUNT, BEARING	2
14	2-0026	SCREW, 1/4-28 x 1, ALLEN CAP	6
15	11-0004	BEARING	2
16	10-0003	CIRCLIP, 1.0 DIA	2
17	1034	SHROUD, BEARING MOUNT	2
18	1-0021	SCREW, 1/4-28 x 1-3/4, ALLEN	6
19	1030	FLANG, WHEEL	4
20	1031	NUT, 3/4 x 16 RH, HEX	1
21	1032	NUT, 3/4 x 16 LH, HEX	1
22	*20-0007 *20-0013	PULLEY, MICRO-V, 16G 2.4 x .875 PULLEY, 8 GROOVE/J, 2.5D x .984	1
23	25	SCREW, SET, 5/16-18 X 3/8, ALLEN	2
24	1028	SHAFT	1
25	*20-0008 *20-0014	PULLEY, MICRO-V, 16G 1.98 x .984 PULLEY, 8 GROOVE/J, 2D x 5/8	1
26	*1039 *1039-1	BELT, MICRO-V, 16 GROOVE, 360J16 BELT, MICRO-V, 8 GROOVE, 360J8	1
27	2-0027	SCREW, 5/16-18 x 2, SHCS	5
28	1035	PLATE, LOGO	1
29	2-0028	SCREW, 1/4-28x1/2 BH, BLK OX	8
30	1029	GUARD	1
31	1037	SUPPORT, GUARD, CENTER	1
32	5-0008	WASHER, 1/4, LOCK, EXTERNAL	6

1200 ONLY			
ITEM NO.	PART NUMBER	DESCRIPTION	QTY.
33	*02	PEDESTAL, BK-746	1
34	*1042	SUPPORT, GUARD, PEDESTAL	1
35	4-0014	NUT, 3/8-16, ELASTIC LOCK GD 2	2
36	37	BOLT, 5/16-18x3/4 HEX HEAD	2
37	1-0042	BOLT, 3/8-16 x 1 1/4 HEX HEAD	2

NOTE:

*20-0007 & 20-0008
*20-0013 & 20-0014

2&3 HP/ 3PH
1-1.5 HP/ 1PH

*1039
*1039-1

2&3 HP/ 1&3 PH
1-1.5 HP/ 1PH

*1042

ONLY FOR 1200

*02

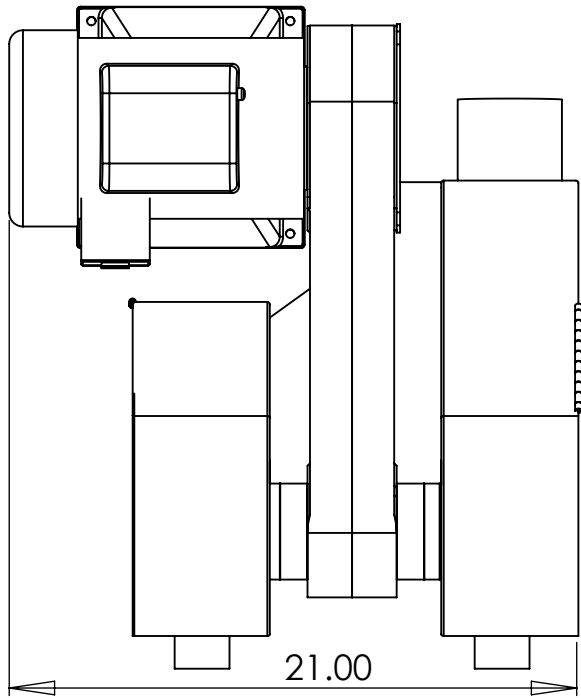
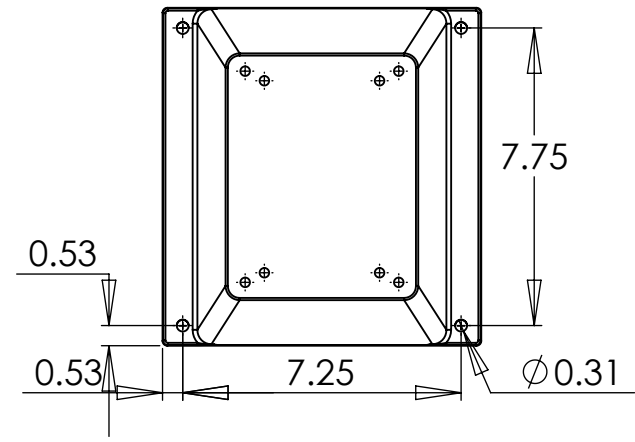
OPTIONAL 1000
STANDARD 1200

1000
LINE DRAWING

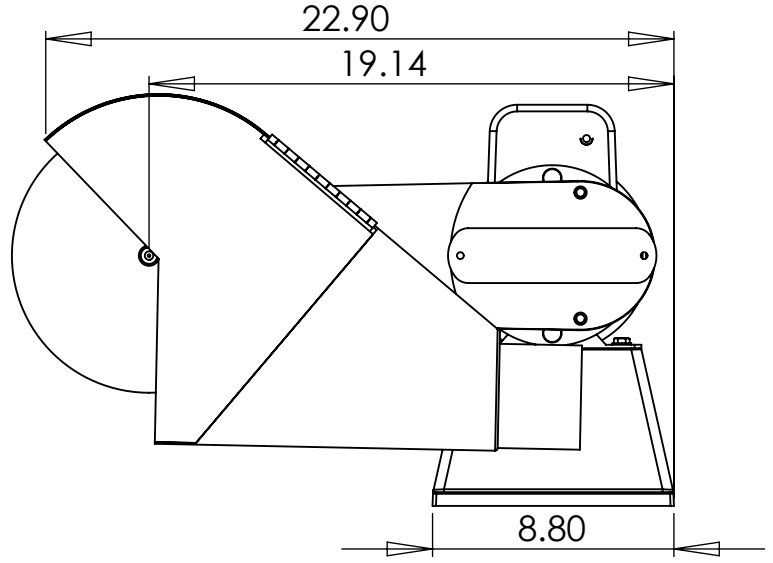


1220 TAMARA LANE
WARSAW, MO. 65355

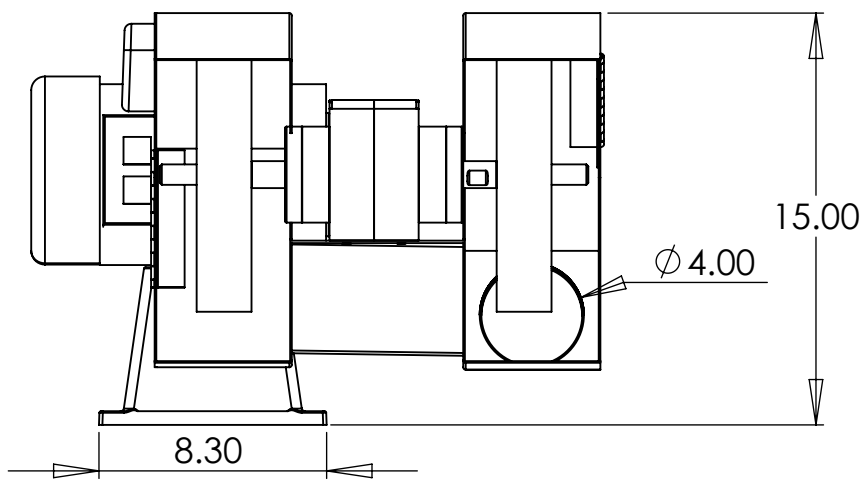
MOUNTING PATTERN



TOP VIEW



RIGHT SIDE VIEW



FRONT VIEW

TITLE	DATE DRAWN	REV DATE	DRAWN BY	SHEET
1000	7/30/2009		CMW	1 OF 1

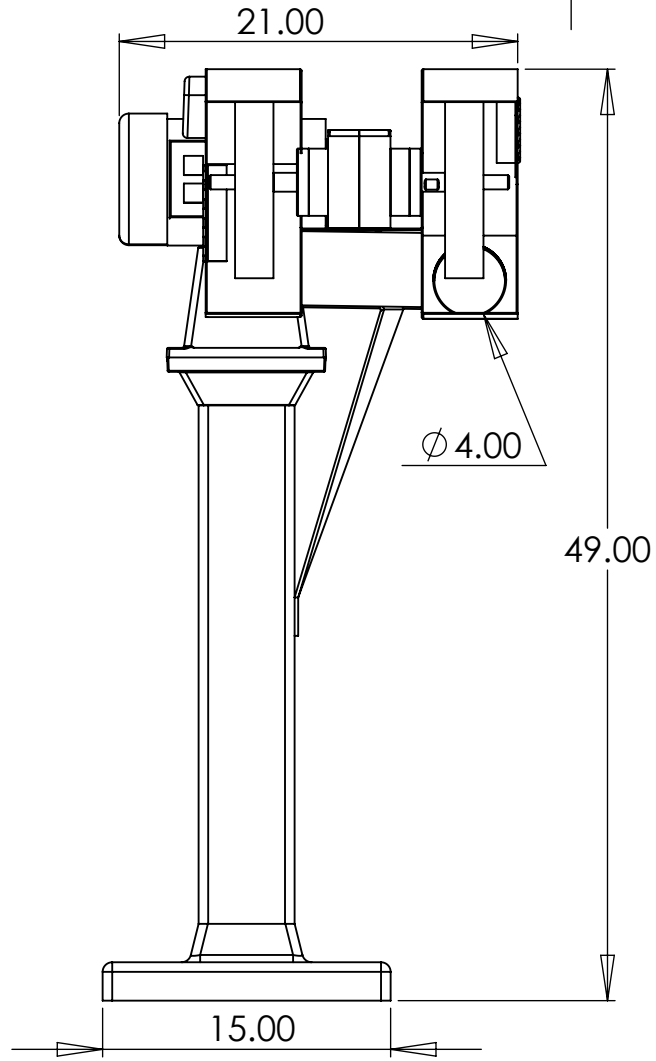
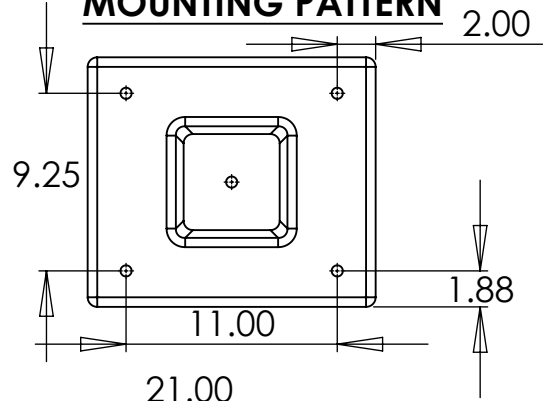
1200

LINE DRAWING



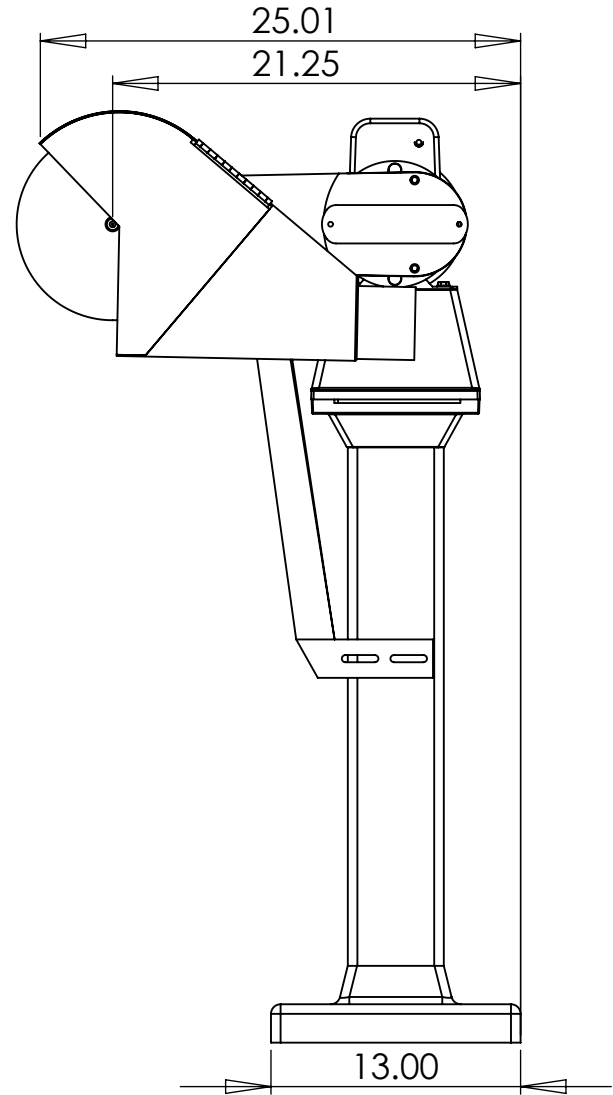
1220 TAMARA LANE
WARSAW, MO. 65355

MOUNTING PATTERN



FRONT VIEW

RIGHT SIDE VIEW



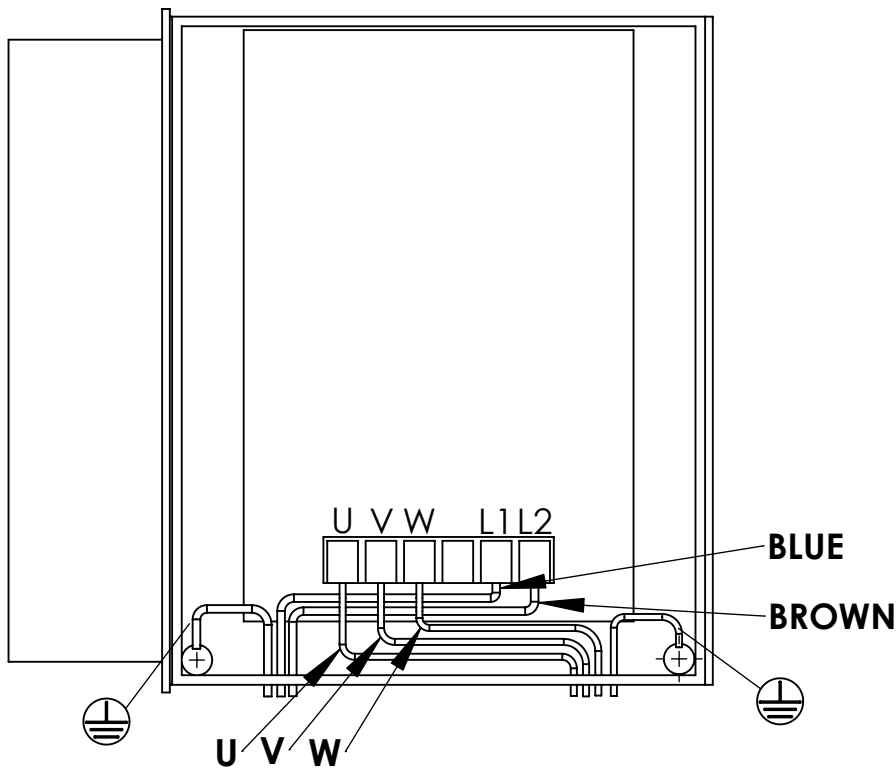
TITLE	DATE DRAWN	REV DATE	DRAWN BY	SHEET
1200	7/30/2009		CMW	1 OF 1

WIRING DIAGRAM

862-3

BURR KING

1220 TAMARA LANE
WARSAW, MO. 65355



TWIST TOGETHER
T4, T5, T6

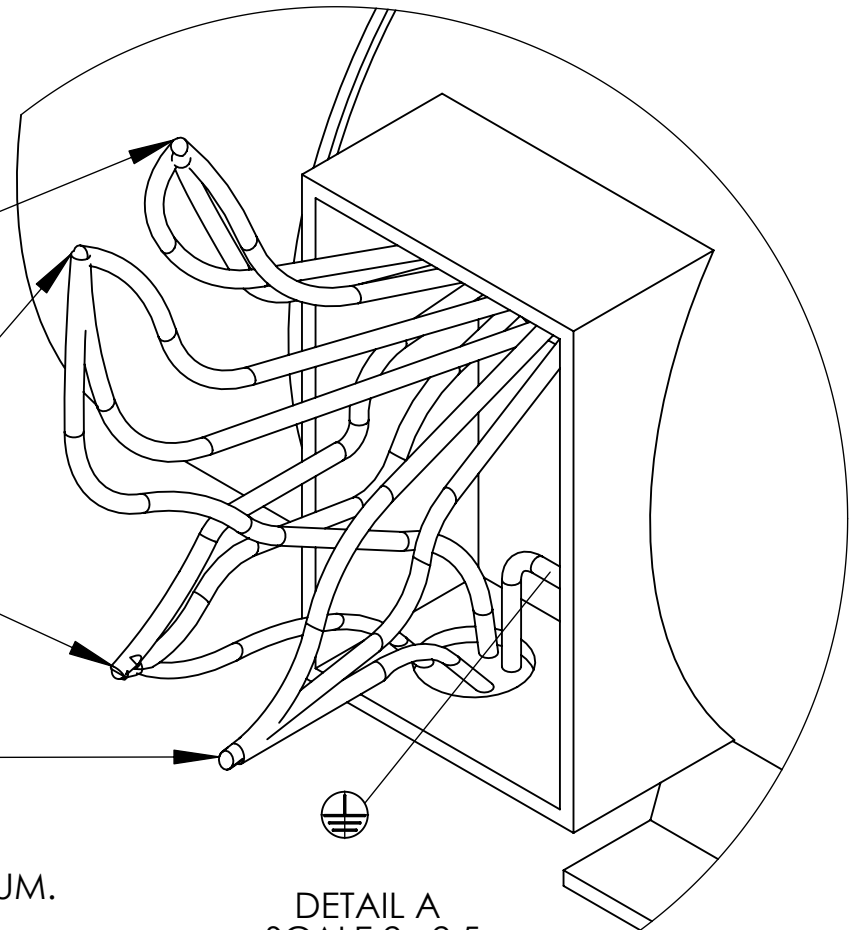
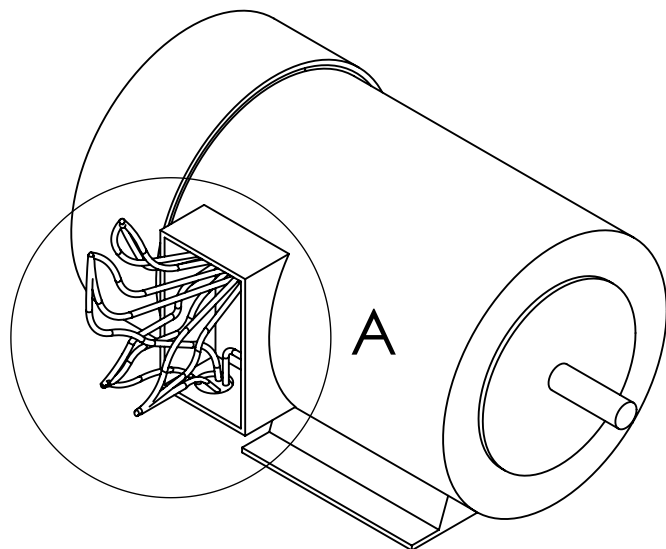
TWIST TOGETHER
U, T7, T1

TWIST TOGETHER
V, T2, T8

TWIST TOGETHER
W, T3, T9

NOTE:
LEESON- ALPH. & NUM.
BALDOR- NUM.

DETAIL A
SCALE 2 : 2.5

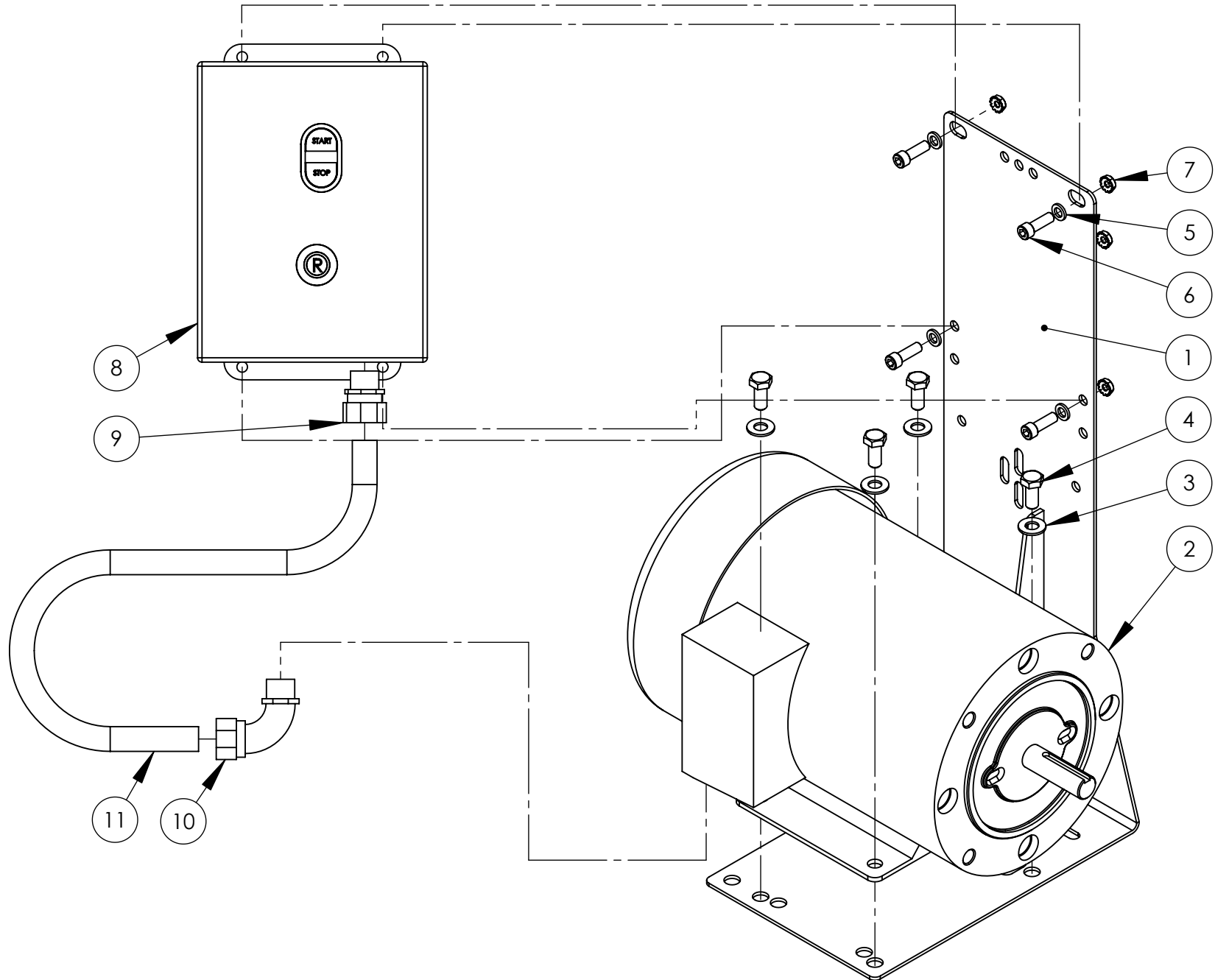


MAG STARTER

PARTS LIST

BURR KING

1220 TAMARA LANE
WARSAW, MO. 65355



MAG STARTER			
ITEM NO.	PART NUMBER	DESCRIPTION	QTY.
1	MB-4C	BRACKET, MOUNTING, STARTER	1
2	MOTOR	CALL FACTORY FOR PART NUMBER	1
3	4	WASHER, 5/16 SAE ZINC PLTD	4
4	37	BOLT, 5/16-18x3/4 HEX HEAD	4
5	5	WASHER, 1/4 AN	4
6	209	SCREW, 1/4-20 X 3/4 ALLEN HEAD	4
7	4-0013	NUT, KEP, 1/4-20	4
8	MS2A3 MS4A3 MS2B3 MS4B3	3/4HP-1HP, 220V 3/4HP-1HP, 440V 1.5HP-3HP, 220V 1.5HP-3HP, 440V	1
9	775	CONNECTOR, 3/8", STR, LIQ. TIGHT	1
10	776	CONNECTOR, 3/8", 90 DEG, LIQ. TIGHT	1
11	020	CONDUIT 3/8" LIQUID TIGHT	1