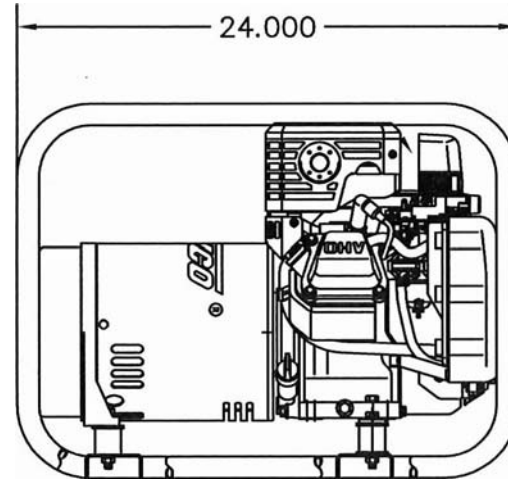
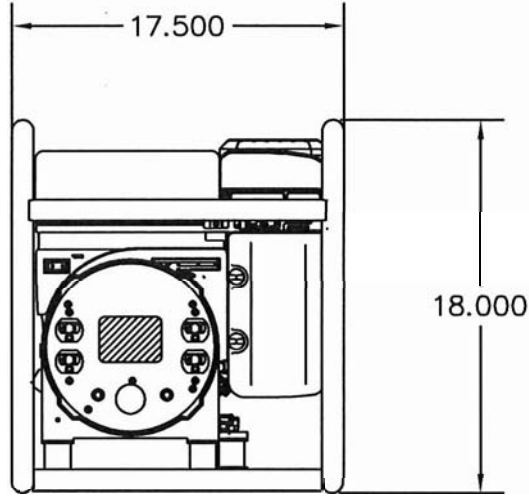


16078-128

REVISION RECORD					
ISSUE	E.C.O. NO.	DESCRIPTION	DATE	BY	APPR.
1	---	ORIGINAL	---	---	---



MODEL: CSA WT3000H/B

UNLESS OTHERWISE SPECIFIED		MACHINED SURFACE TEXTURE		ALL DIMENSIONS GIVEN IN INCHES WORK TO DIMENSIONS - DO NOT SCALE -			
FRACTIONS ±		ANGULAR					
1. PLACE DEC. ± .1		± 1.5°					
2. PLACE DEC. ± .031							
3. PLACE DEC. ± .005							
THIS DRAWING CONTAINS PROPRIETARY INFORMATION BELONGING TO WINCO. UNAUTHORIZED USE IS PROHIBITED.	DRAWN BY	DATE	CHKD BY	DATE	APP'D BY	DATE	SCALE
	DJR	7/28/10					1"=6"
	MATERIAL: -----						
	FINISH	-----	TITLE				
ASSY	-----	OUTLINE DRAWING					
MODEL	CSA WT3000H/B		PART NO.		16078-128		