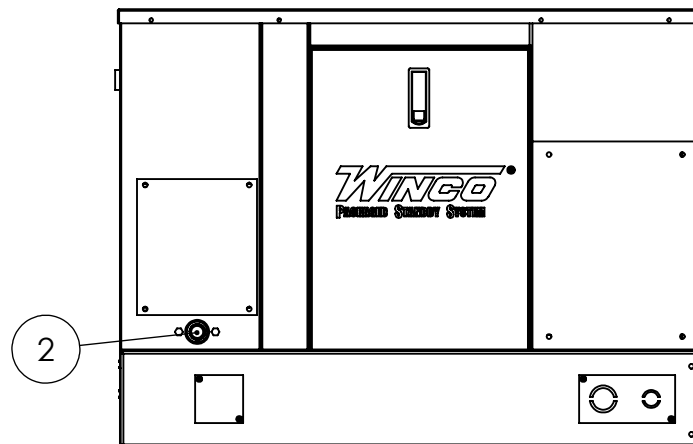
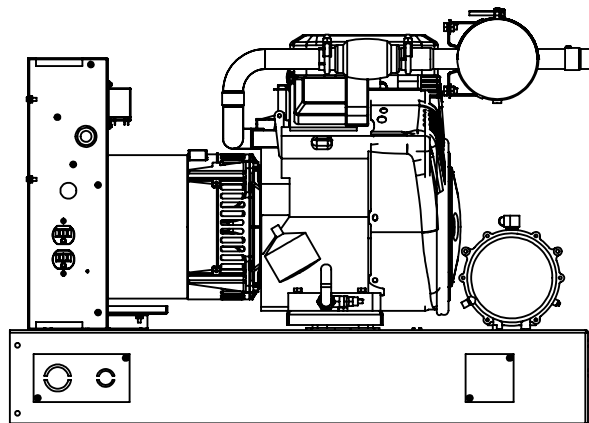
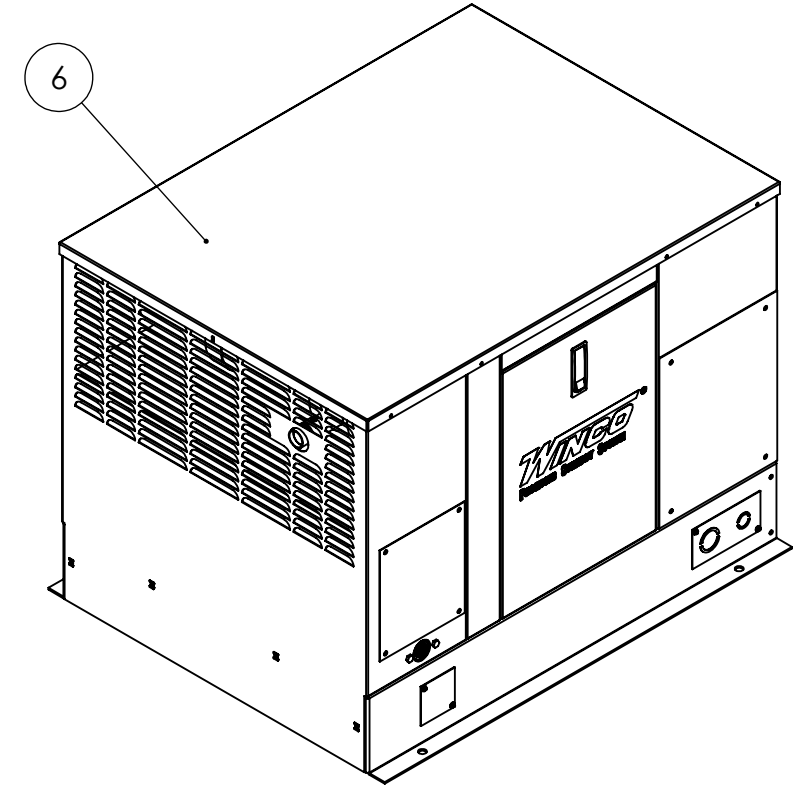
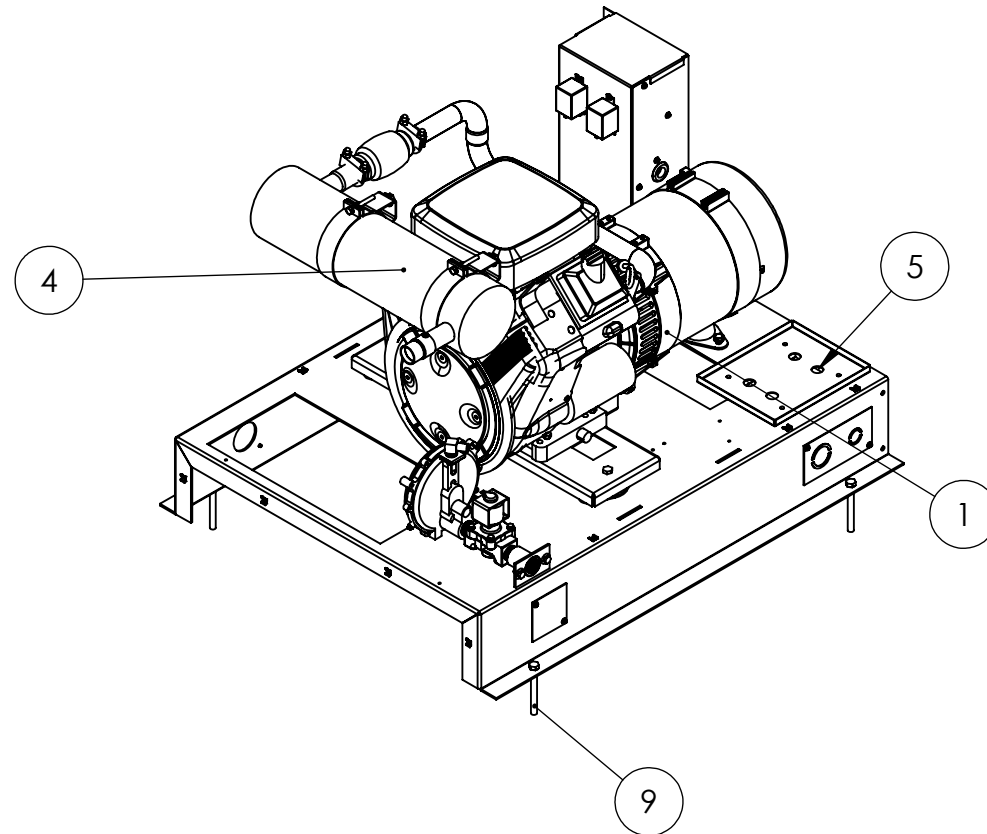
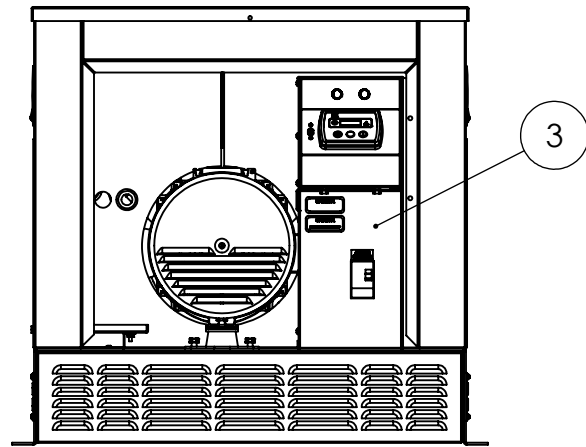


16400-035

ITEM NO.	PartNo	DESCRIPTION	QTY.
1	16391-008	ENG/GEN/BASE ASSEMBLY	1
2	16397-007	FUEL SYSTEM INSTALL	1
3	16477-005	CONTROL TOWER INSTALL	1
4	16470-004	EXHAUST SYSTEM INSTALL	1
5	16328-004	BATTERY INSTALL	1
6	95694-003	HOUSING ASSEMBLY	1
7	15715-081	DECAL AND NAMEPLATE INSTALLATION PSS UNITS	1
8	60706-210	OPR. MANUAL ULPSS8B4W	1
9	91658-014	.375-16X3.5 HHB	4

REVISIONS					
REV.	IRN	DESCRIPTION	DATE	BY	APP'D
H	3112	ADDED DECAL INSTALLATION	9/16/2014	RWH	DRC
I	3527	ADDED MOUNTING BOLTS	2/6/2015	SJM	



UNLESS OTHERWISE SPECIFIED					
FRACTIONS	ANGULAR	MACHINED SURFACE TEXTURE	ALL DIMENSIONS GIVEN IN INCHES WORK TO DIMENSIONS FLAT OUTSIDE VIEW SHOWN UNLESS NOTED -DO NOT SCALE-		
1 PLACE DEC. .1	1.5				
2 PLACE DEC. .015					
3 PLACE DEC. .005					
	DRAWN BY	DATE	CHK'D BY	DATE	ENG APPR.
	RLC	12/7/2010			---
THIS DRAWING CONTAINS PROPRIETARY INFORMATION BELONGING TO WINCO. UNAUTHORIZED USE IS PROHIBITED	MATERIAL:	WEIGHT:			
	FINISH:				
	TOTAL SURFACE AREA:				
	FACE SURFACE AREA:	N/A			
MODEL:	ULPSS8B4W	TITLE: COMPLETE ASSEMBLY			
		PART NO. 16400-035			