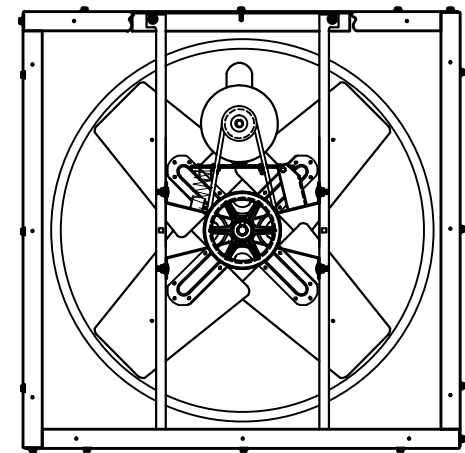
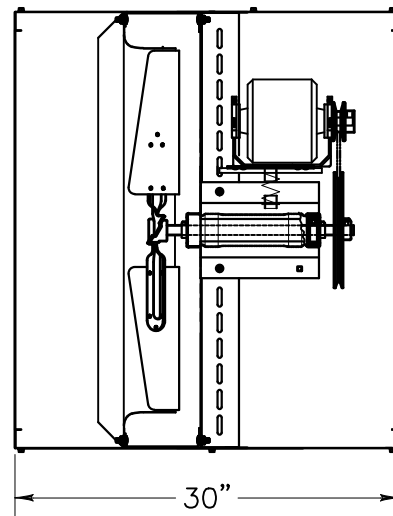


INTAKE VIEW



DISCHARGE VIEW

HORSE POWER: 1/3  
 VOLTAGE: 115V  
 PHASE: 1  
 BLADE DIAMETER: 30"



TRIANGLE ENGINEERING  
 OF ARKANSAS, INC.

RVI 3012V  
 WALL FAN

RVI3012V

REV

DR. BY: TOM KING

CKD.

APP.

SHEET 1 OF 1

NOT TO SCALE

1 OCT 2015