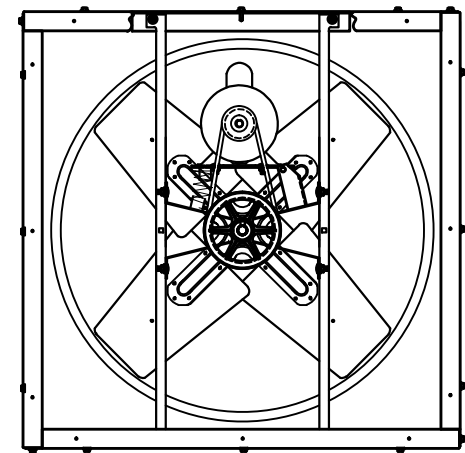
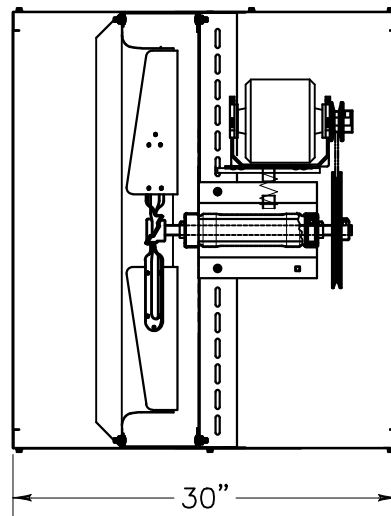


INTAKE VIEW



DISCHARGE VIEW

HORSE POWER: 3/4  
 VOLTAGE: 115/230V  
 PHASE: 1  
 BLADE DIAMETER: 30"



TRIANGLE ENGINEERING  
 OF ARKANSAS, INC.

RVI 3014U  
 WALL FAN

RVI3014U

REV

DR. BY: TOM KING

CKD.

APP.

SHEET 1 OF 1

NOT TO SCALE

1 OCT 2015