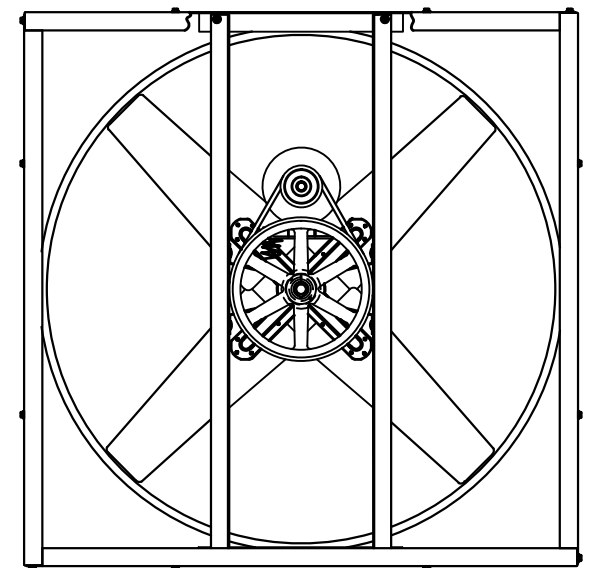
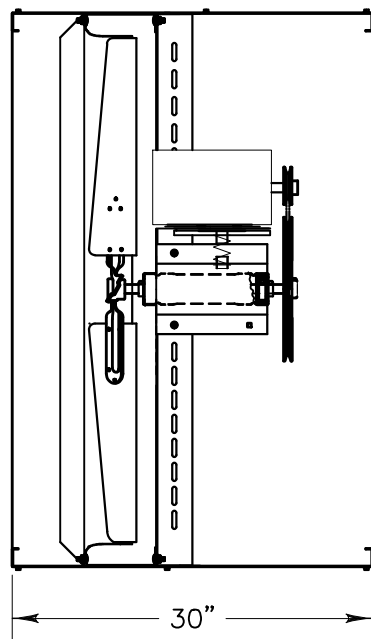



INTAKE VIEW



DISCHARGE VIEW

HORSE POWER: 1 1/2
 VOLTAGE: 115/230V
 PHASE: 1
 BLADE DIAMETER: 42"

 TRIANGLE ENGINEERING OF ARKANSAS, INC.	RV14216U WALL FAN	
	RV14216U	REV
DR. BY: TOM KING	CKD.	APP.
SHEET 1 OF 1	NOT TO SCALE	6 OCT 2015