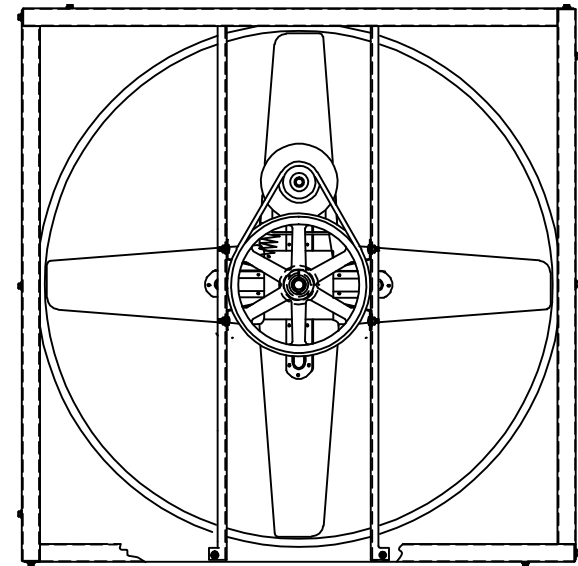
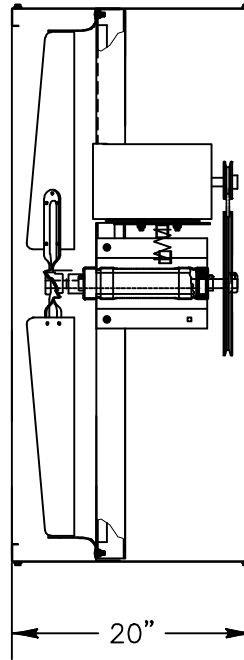



DISCHARGE VIEW



INTAKE VIEW

TRIANGLE ENGINEERING CERTIFIED DRAWING	
BY:	
FOR:	
DATE:	
VI4814 WALL FAN, 3/4 HP 115/230 V.	
1 PHASE	
BLADE DIA 48"	

 TRIANGLE ENGINEERING OF ARKANSAS, INC.	VI4814 WALL FAN	
	L-VI4814	REV
DR. BY: TOM KING	CKD.	APP.
SHEET 1 OF 1	NOT TO SCALE	12 DEC 2003