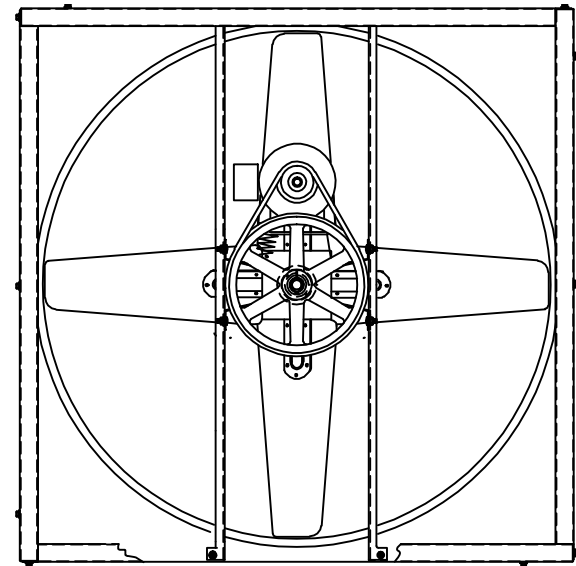
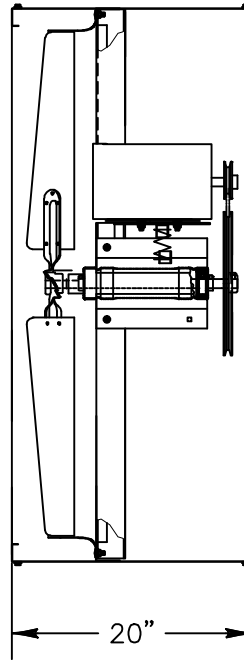



DISCHARGE VIEW



INTAKE VIEW

TRIANGLE ENGINEERING
CERTIFIED DRAWING

| |
|----------------------------------|
| BY: |
| FOR: |
| DATE: |
| VI4815 WALL FAN, 1 HP 115/230 V. |
| 1 PHASE |
| BLADE DIA 48" |

| | | |
|---|--------------------|-------------|
|  TRIANGLE ENGINEERING OF ARKANSAS, INC. | VI4815 WALL FAN | |
| | L-VI4815 | REV |
| DR. BY: TOM KING | CKD. | APP. |
| SHEET 1 OF 1 | NOT TO SCALE | 12 DEC 2003 |