



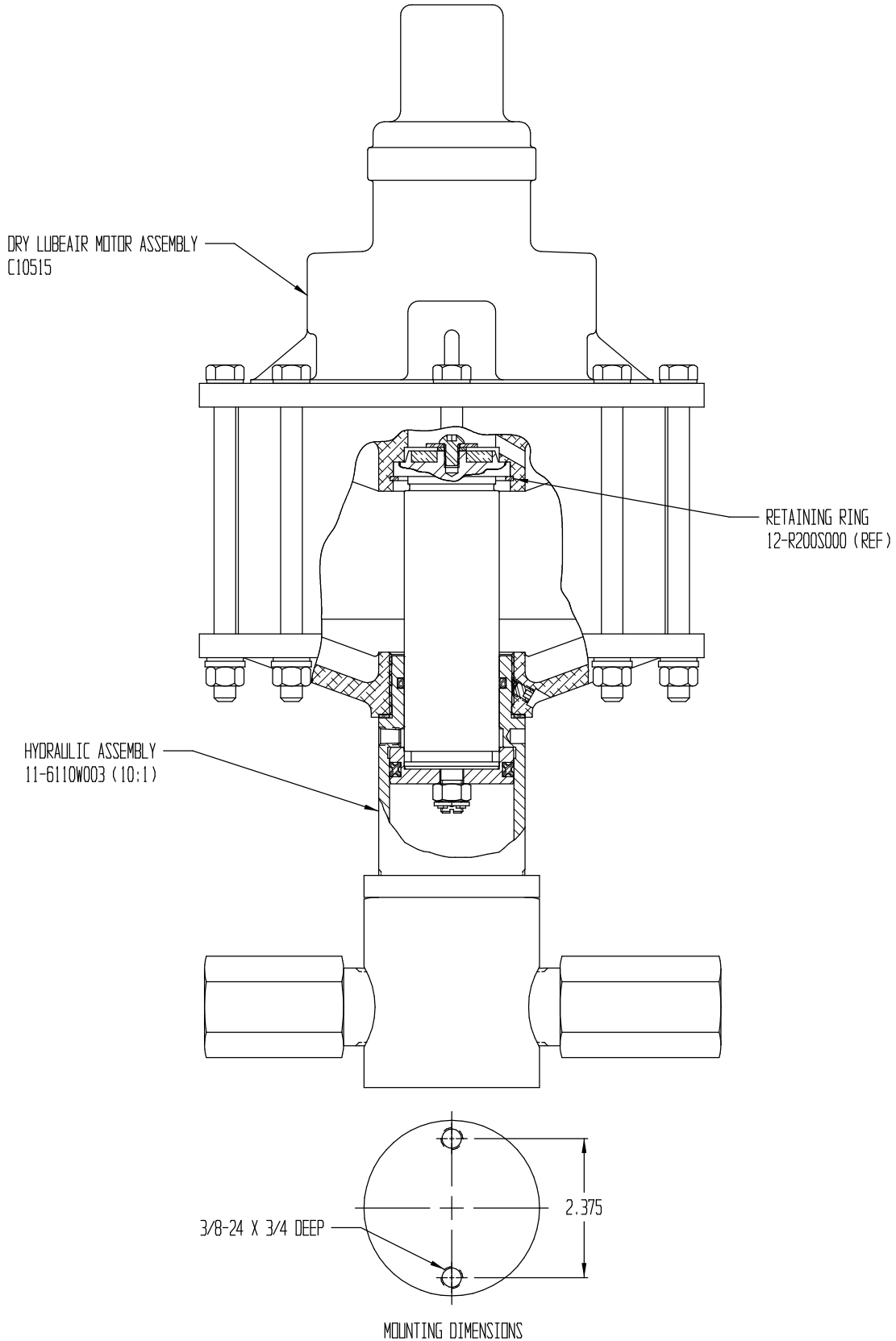
SOUTHERN CALIFORNIA HYDRAULIC ENGINEERING CORPORATION

DESIGNERS AND MANUFACTURERS OF HYDRAULIC & PNEUMATIC EQUIPMENT

1130 COLUMBIA STREET BREA, CALIFORNIA 92821

FORM D6000B10 REV 12/24/03

PUMP ASSEMBLY D6000B10





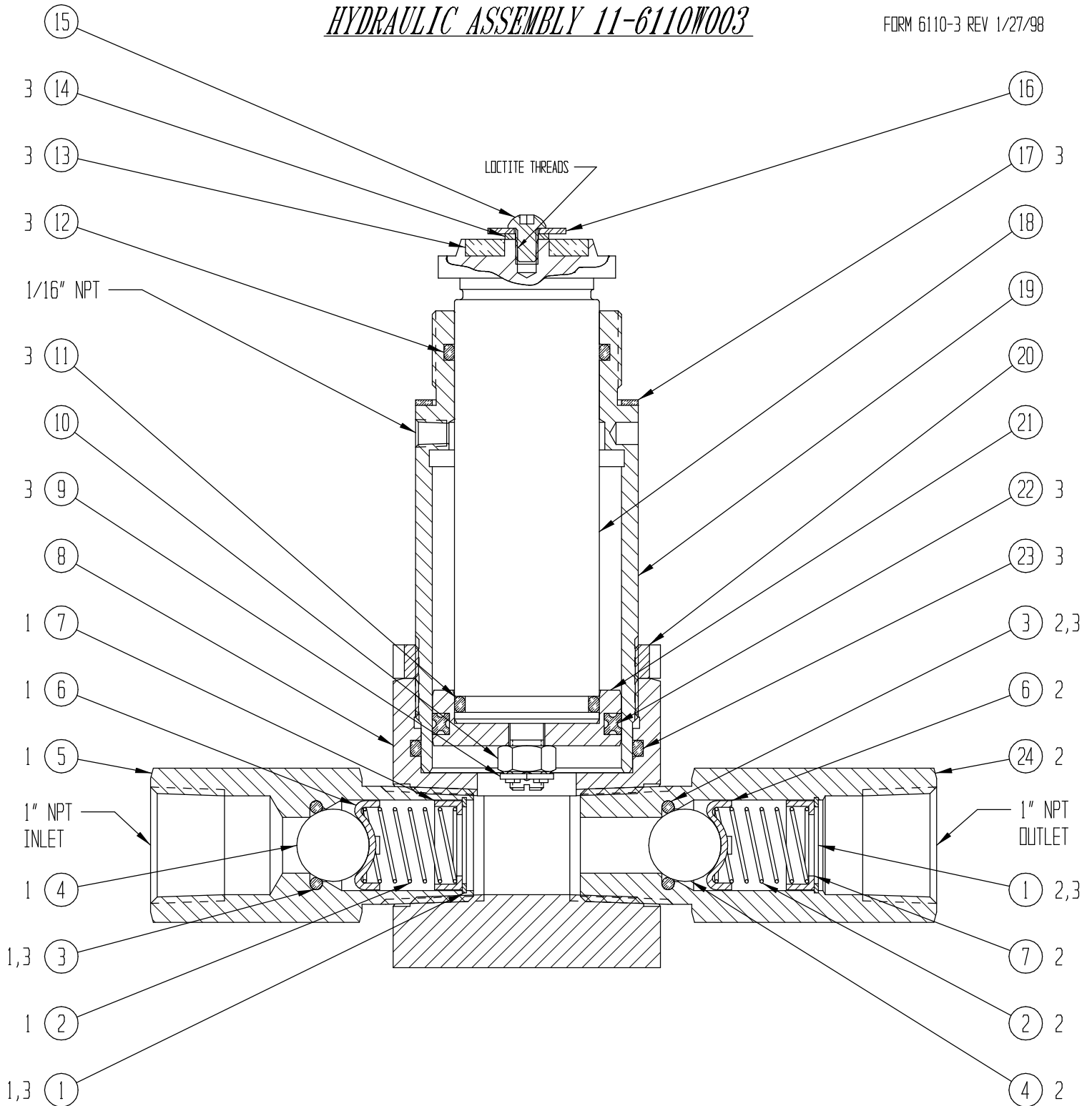
SOUTHERN CALIFORNIA HYDRAULIC ENGINEERING CORPORATION

DESIGNERS AND MANUFACTURERS OF HYDRAULIC & PNEUMATIC EQUIPMENT

1130 COLUMBIA STREET BREA, CALIFORNIA 92821

HYDRAULIC ASSEMBLY 11-6110W003

FORM 6110-3 REV 1/27/98



3 INCLUDED IN 11-6099N005 HYDRAULIC REPAIR KIT

2 INCLUDED IN 11-6065S000 OUTLET CHECK VALVE ASSEMBLY

1 INCLUDED IN 11-5031S000 INLET CHECK VALVE ASSEMBLY



SOUTHERN CALIFORNIA HYDRAULIC ENGINEERING CORPORATION

DESIGNERS AND MANUFACTURERS OF HYDRAULIC & PNEUMATIC EQUIPMENT

1130 COLUMBIA STREET BREA, CALIFORNIA 92821 - (714) 257-4800 - FAX (714) 257-4810 WWW.SCHYDRAULIC.COM

BILL OF MATERIALS FILE: 10-550-110.XLS

DRAWING NUMBER & DESCRIPTION: 11-6110W003 HYDRAULIC ASSEMBLY 10:1 RATIO

REVISION: 10/03/03

ITEM NO	QTY	PART NO	DESCRIPTION	REFERENCE NO
1	2	P10202-100	RETAINING RING	12-R100S000
2	2	11-5033S000	SPRING	10-450-33
3	2	P11003-210	O-RING	12-6227N015S
4	2	12-0440S812	CHECK BALL	
5	1	11-5035S000	SEAT-INLET	10-450-35
6	2	11-5034S003	BALL GUIDE	10-450-34-3
7	2	11-5032S000	SPRING GUIDE	10-450-32
8	1	11-6111B001	END-HYDRAULIC	10-550-111-1
9	1	P10224-075	COTTER PIN	12-0625S750
10	1	12-90029A031	CASTLE NUT	
11	1	P11000-220	O-RING	12-6227N025
12	1	P11015-223	O-RING	12-6230T001
13	1	11-5051P000	PISTON BUMPER	10-450-51
14	1	P10212-025	HELICAL SPRING LOCK WASHER	12-5001C407
15	1	12-25F37SBC45Z	BUTTON HEAD CAP SCREW	
16	1	12-25N87WF1Z	FENDER WASHER	
17	1	11-5028N000	GASKET	10-450-28
18	1	11-6064S000	PISTON ROD-HYDRAULIC	10-550-64
19	1	11-6114B000	CYLINDER-HYDRAULIC	10-550-114
20	1	11-6113B000	LOCK NUT	10-550-113
21	1	11-6112S000	PISTON HEAD-HYDRAULIC	10-550-112
22	1	12-4327N000	QUAD RING	Q4327
23	1	P11000-229	O-RING	12-6230N007
24	1	11-6031S000	SEAT-OUTLET	10-550-31

Where Used 10-6000W005
Pump Assemblies D60E0S10
 D6000B10



SOUTHERN CALIFORNIA HYDRAULIC ENGINEERING CORPORATION

Designer and Manufacturers of Hydraulic & Pneumatic Equipment

1130 COLUMBIA STREET, BREA, CALIFORNIA 92821 - WWW.SCHYDRAULIC.COM

600 SERIES PUMP LUBRICATED AND DRY LUBE APA VALVE AIR MOTOR ASSEMBLIES

DOC NO. 15138
REV. N/C 04-06-09 M.E.
PAGE 1 OF 4

LUBRICATED AIR MOTOR ASSEMBLY 11-6094A000 DRY LUBE AIR MOTOR ASSEMBLY 11-6094ADL0 AND C10515

(SEE PAGE 2 & 3 FOR DRY LUBE AIR MOTOR ASSEMBLY 11-6094ADL0 AND C10515)

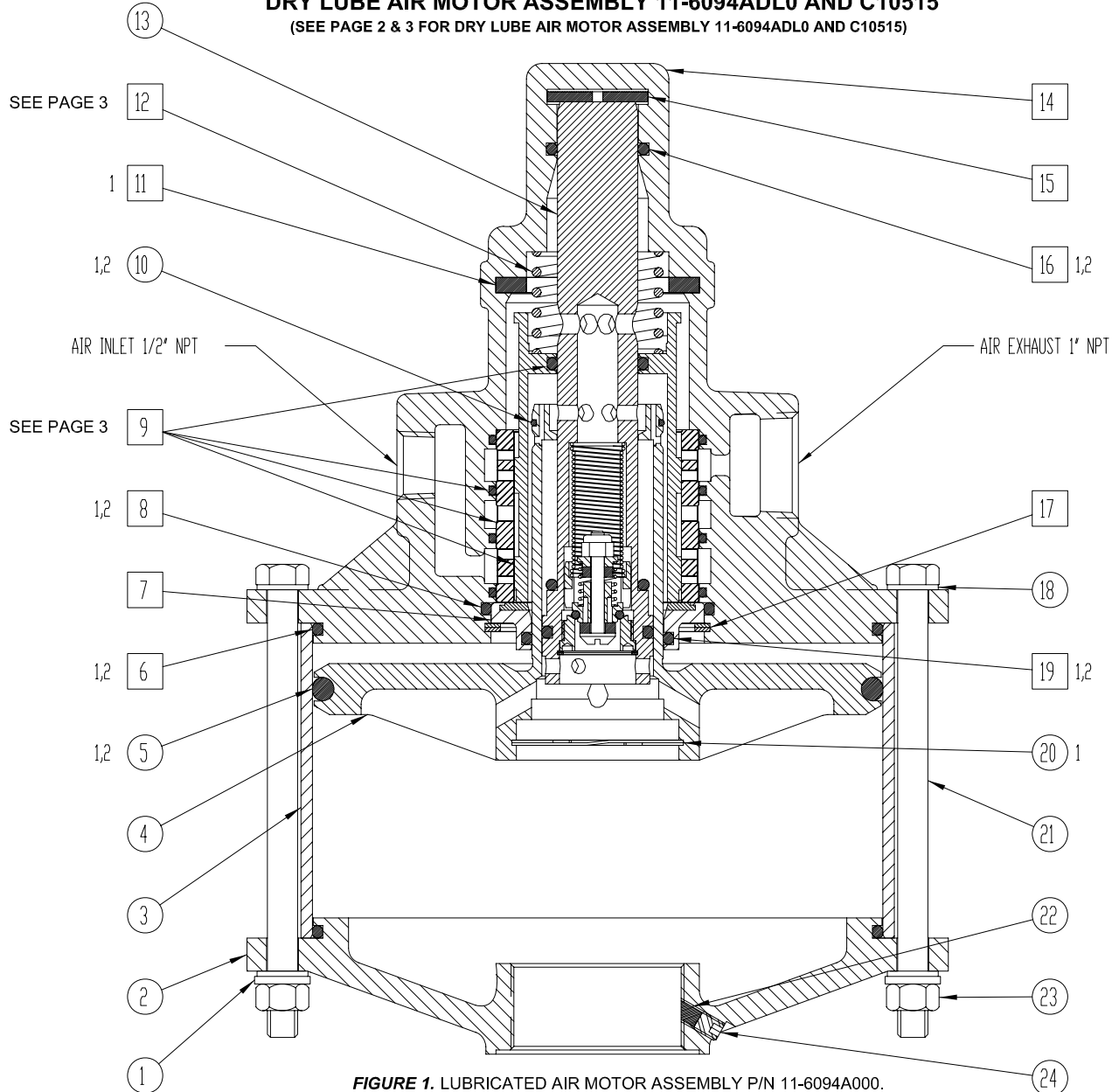


FIGURE 1. LUBRICATED AIR MOTOR ASSEMBLY P/N 11-6094A000.
SEE PAGE 2 & 3 FOR DRY LUBE AIR MOTOR ASSEMBLY P/N 11-6094ADL0 AND C10515.

1 INCLUDED IN 11-6100N000 AIR MOTOR REPAIR KIT

1 INCLUDED IN R10104 AIR MOTOR REPAIR KIT

2 INCLUDED IN 11-6130N000 AIR MOTOR PACKING SET

2 INCLUDED IN R10105 AIR MOTOR PACKING SET

INCLUDED IN 11-6128A000 HEAD ASSEMBLY

INCLUDED IN C10516 HEAD ASSEMBLY

NOTE: USE WITH AIR MOTOR ASSEMBLY P/N 11-6094A000.
P/N 11-6100N000 AND 11-6130N000 INCLUDE SAME PARTS
AS R10104 AND R10105 RESPECTIVELY.

NOTE: USE WITH AIR MOTOR ASSEMBLY P/N 11-6094ADL0
AND C10515. P/N 11-6100N000 AND 11-6130N000 INCLUDE
SAME PARTS AS R10104 AND R10105 RESPECTIVELY.



SOUTHERN CALIFORNIA HYDRAULIC ENGINEERING CORPORATION

Designer and Manufacturers of Hydraulic & Pneumatic Equipment

1130 COLUMBIA STREET, BREA, CALIFORNIA 92821 - (714) 257-4800 - FAX (714) 257-4810

600 SERIES PUMP LUBRICATED AND DRY LUBE APA VALVE AIR MOTOR ASSEMBLIES

A. LUBRICATED AIR MOTOR ASSEMBLY P/N 11-6094A000 (REFER TO ITEM 9A & 12A)

B. DRY LUBE AIR MOTOR ASSEMBLY P/N 11-6094ADL0 AND C10515 (REFER TO ITEM 9B & 12B)

DOC. NO. 15138, REV. N/C, 04-06-09

PAGE 2 OF 4

ITEM NO	QTY	PART NO	DESCRIPTION	REFERENCE NO
1	8	P10212-038	WASHER-LOCK	
2	1	11-6002A000	END	10-550-2
3	1	11-6151P000	CYLINDER-AIR	10-550-151
4	1	11-6025A000	PISTON-AIR	10-550-25
5	1	P11000-439	O-RING	12-6227N066
6	2	P11000-261	O-RING	12-6230N039
7	1	11-5047N000	BEARING ASSEMBLY	10-450-47
8	1	P11000-231	O-RING	12-6230N009
9A *	1	11-6152A000	LUBRICATED APA VALVE ASSEMBLY (SEE PAGE 3)	10-550-152
9B *	1	11-6152ADL0	DRY LUBE APA VALVE ASSEMBLY (SEE PAGE 3)	10-550-152DL
10	1	P11000-028	O-RING	12-8775N028
11	1	11-5057P000	BUMPER	10-450-57
12A *	1	11-5005M001	SPRING, RETURN (USE W/ITEM No. 9A, SEE PAGE 3)	10-450-5-1
12B *	1	11-5005M002	SPRING, RETURN (USE W/ITEM No. 9B, SEE PAGE 3)	10-450-5-2
13	1	11-6027A000	PILOT VALVE ASSEMBLY	10-550-27
14	1	11-6092A000	HEAD	10-550-92
15	1	11-5012N000	BUMPER	10-450-12
16	1	P11000-214	O-RING	12-6227N019
17	1	12-R262S000	RETAINING RING	RRT-262
18	16	P10214-038	WASHER-FLAT	
19	1	P11000-223	O-RING	12-6230N001
20	1	12-R200S000	RETAINING RING	RRT-200
21	8	P10230	BOLT-HEX	
22	1	11-5172N000	PLUG	10-450-172
23	8	12-37CNFH1Z	NUT-HEX	
24	1	P10238	SET SCREW-HEX SOCKET	12-25C313CPSS

* ITEM 9A - LUBRICATED APA VALVE ASSEMBLY P/N 11-6152A000. SEE PAGE 3 FOR DETAILS.

ITEM NO	QTY	PART NO	DESCRIPTION	REFERENCE NO
9A.1	1	P11000-214	O-RING	
9A.2	1	11-6153A000	PISTON, APA	10-550-153
9A.3	1	11-6126A000	SLEEVE, APA	10-550-126
9A.4	4	P11000-144	O-RING	

* ITEM 9B - DRY LUBE APA VALVE ASSEMBLY P/N 11-6152ADL0 AND C10526. SEE PAGE 3 FOR DETAILS.

ITEM NO	QTY	PART NO	DESCRIPTION	REFERENCE NO
9B.1	1	P11000-214	O-RING	
9B.2	1	P10263-193	RETAINING RING	
9B.3	1	D10684	SEAL, DRY LUBE	
9B.4	1	P11000-135	O-RING	
9B.5	1	D10817	PISTON, APA	
9B.6	2	P11003-137	O-RING	
9B.7	1	D10263	SLEEVE, APA	
9B.8	4	P11000-144	O-RING	



SOUTHERN CALIFORNIA HYDRAULIC ENGINEERING CORPORATION

Designer and Manufacturers of Hydraulic & Pneumatic Equipment

1130 COLUMBIA STREET, BREA, CALIFORNIA 92821 — WWW.SCHYDRAULIC.COM

600 SERIES PUMP DRY LUBE AND LUBRICATED APA VALVE AIR MOTOR ASSEMBLIES

DOC NO. 15138

REV. N/C 04-06-09 M.E.

PAGE 3 OF 4

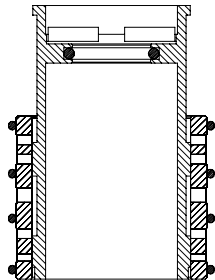


FIGURE 2. LUBRICATED APA VALVE ASSEMBLY
P/N 11-6152A000

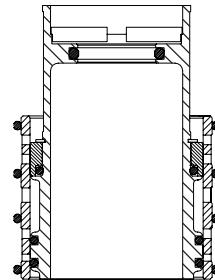


FIGURE 3. DRY LUBE APA VALVE ASSEMBLY
NEW P/N 11-6152ADL0 AND C10526

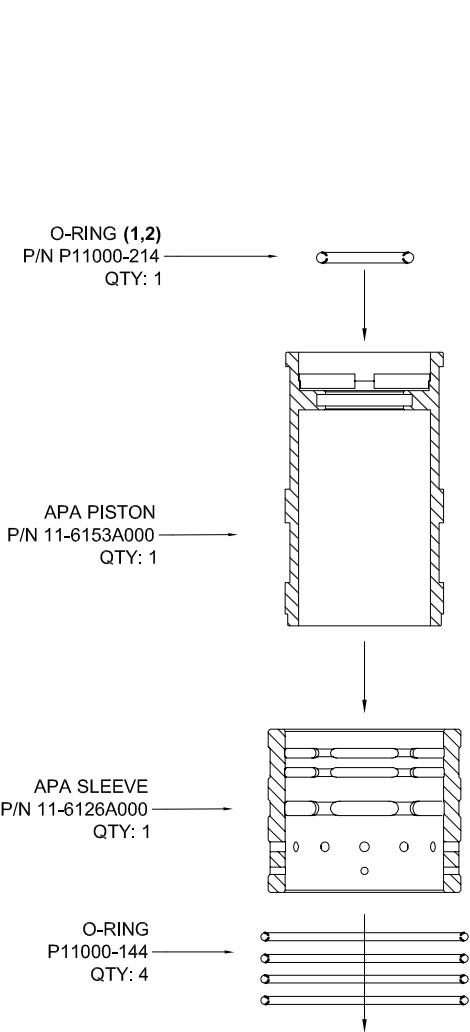


FIGURE 4. LUBRICATED APA VALVE PART CONFIGURATION.
USE APA VALVE ASSEMBLY P/N 11-6152A000.
USE APA VALVE RETURN SPRING P/N 11-5005M001.
USE AIR MOTOR P/N 11-6094A000
REFER TO ITEMS 9A AND 12A

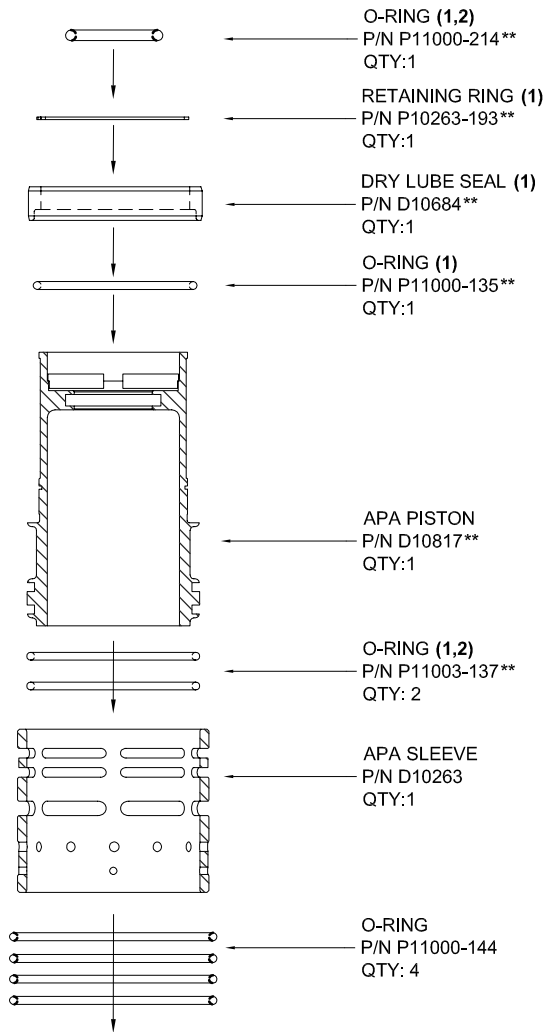


FIGURE 5. DRY LUBE APA VALVE PART CONFIGURATION.
USE APA VALVE ASSEMBLY P/N 11-6152ADL0
USE APA VALVE RETURN SPRING P/N 11-5005M002
USE AIR MOTOR ASSEMBLY P/N 11-6094ADL0 AND C10525
**PARTS INCLUDED IN APA PISTON ASSEMBLY P/N C10544
REFER TO ITEMS 9B AND 12B



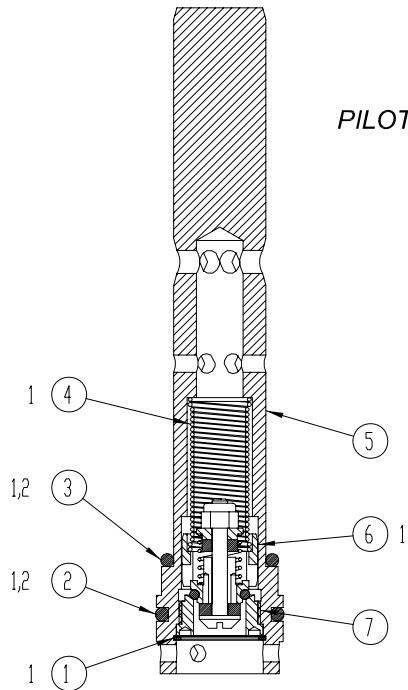
SOUTHERN CALIFORNIA HYDRAULIC ENGINEERING CORPORATION

Designer and Manufacturers of Hydraulic & Pneumatic Equipment

1130 COLUMBIA STREET, BREA, CALIFORNIA 92821 — WWW.SCHYDRAULIC.COM

600 SERIES PUMP LUBRICATED AND DRY LUBE APA VALVE AIR MOTOR ASSEMBLIES

DOC NO. 15138
REV. N/C 04-06-09 M.E.
PAGE 4 OF 4



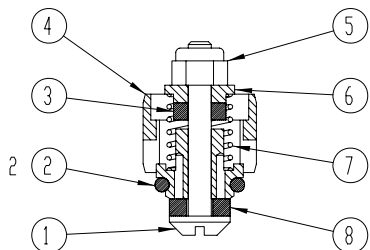
PILOT VALVE ASSEMBLY 11-6027A000

7	1	11-5024A403	SEAT	10-403-24
6	1	11-6032X403	AIR CHECK ASSY	10-403-32-1
5	1	11-6023A000	VALVE BODY	10-550-23
4	1	11-5016M001	SPRING	10-450-16-1
3	1	P11000-214	O-RING	12-6227N019
2	1	P11000-216	O-RING	12-6227N021
1	1	12-R093S000	RETAINING RING	RRT-93
ITEM NO.	QTY	PART NO.	DESCRIPTION	REF NO.

2 INCLUDED IN 11-6130N000 AND R10105 AIR MOTOR PACKING SET

1 INCLUDED IN 11-6100N000 AND R10104 AIR MOTOR REPAIR KIT

AIR CHECK ASSEMBLY 11-6032X403



8	1	11-5025V403	WASHER	10-403-25V
7	1	11-5015M000	SPRING	10-450-15
6	1	11-5039S000	RETAINER	10-450-39
5	1	12-2104A4D08	NUT	
4	1	11-5171X001	VALVE BODY	10-450-171-1
3	1	11-5043V000	WASHER	10-450-43V
2	1	P11000-111	O-RING	12-6227N009
1	1	11-5056A000	SCREW	10-450-56
ITEM NO.	QTY	PART NO.	DESCRIPTION	REF NO.