



## CBC FLEX

### Manual Edge Bander FLEX

### INSTRUCTION MANUAL



Attention: Read this manual before using your machine.

## INSTRUCTION MANUAL

### Important information you should know:

• The images in this manual are illustrative and are meant to demonstrate the correct operation of your product, there may be small changes in relation to the images.

**On-Line Support:** In our YouTube Channel you will find several videos that will help you with Maksiwa's machines. To use the QR CODE.



## READ ALL INSTRUCTIONS

### CAUTION:

WHEN DOING MAINTENANCE, REPLACE ONLY WITH IDENTICAL PARTS. Repair or replace damaged wiring.

## GROUNDING INSTRUCTIONS

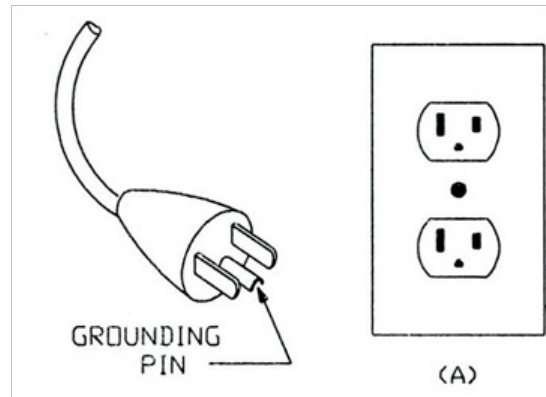
• THIS EDGE BANDER MUST BE CONNECTED TO A GROUNDED WIRING SYSTEM or to a system with an equipment-grounding conductor. In malfunction event, grounding provides a path of least resistance for electric current to reduce the risk of electric shock. This edgebander is equipped with an electric cord having an equipment grounding conductor and a grounding plug. The plug must be connected into a matching outlet provided – if it will not fit the outlet; have the proper outlet installed by a qualified electrician. Improper connection of the equipment-grounding conductor can result in a risk of electric shock and/or malfunction. If repair or replacement of the electric cord or plug is necessary, do not connect the equipment-grounding conductor to a live terminal. Check with a qualified electrician or service personnel if the grounding instructions are not completely understood or if in doubt as to whether the edgebander is properly grounded. Use only 3-wire extension cords that have 3-prong grounding plugs and 3-pole receptacles that accept the edgebander's plug.

• REPAIR OR REPLACE A DAMAGE OR WORN CORD IMMEDIATELY. When servicing use only identical replacement parts.

• USE PROPER EXTENSION CORD. Make sure your extension cord is in good condition. When using an extension cord, be sure to use one heavy enough to carry the current your edgebander will draw.

An undersized cord will cause a drop in line voltage resulting in loss of power and overheating. For cord length of up to 50 feet, use a cord of 14 gauge. For a cord length of 50 to 100 feet, use a cord of 12 gauge. A cord length over 100 feet is not recommended. If in doubt, use the next heavier gauge. Smaller the gauge number, heavier the cord.

• This edgebander is intended for use on a circuit that has an outlet similar to the one illustrated in Sketch A. The edgebander has a grounding plug similar to the plug illustrated in Sketch A. Make sure the edgebander is connected to an outlet having the same configuration as the plug. No adapter is available or should be used with this edgebander. If the machine must be reconnected for use on a different type of electric circuit, the reconnection should be made by qualified service personnel; and after reconnection, the edgebander should comply with all local codes and ordinances.



## SAFETY INSTRUCTIONS FOR ALL EQUIPMENTS

### WARNINGS

- Keep a clean work surface. Cluttered areas and work surfaces are invite accidents.
- Do not use the Edgebander in hazardous environments. Do not use machine in damp or wet locations or exposed to rain. Keep well-lit work area.
- Keep children away. Visitors should be kept safe distance from work area.
- Make the workplace childproof making use of padlocks, master keys or removing the ignition key.
- Do not force tool. It will perform the job better and safer for the intended use.
- Keep children away. Visitors should be kept safe

distance from work area.

- Make the workplace childproof making use of padlocks, master keys or removing the ignition key.
- Do not force tool. It will perform the job better and safer for the intended use.

- Use appropriate equipment. Do not wear loose clothing, gloves, chains, rings, bracelets or other accessories that could become caught in moving parts.

- It is recommended wearing shoes with non-slip soles. Use protection for the hair in order to hold them.

- Always wear safety glasses. Also use hearing protection.

- Do not overreach on the equipment. Maintain balance and feet in comfortable position at all times.

- Keep all tools in order. Keep tools sharp and clean for better and safer performance. Follow the instructions for lubricating and changing accessories.

better and safer performance. Follow the instructions for lubricating and changing accessories.

- Unplug the machine before servicing or changing accessories such as scissors, cutters etc.

- Reduce the risk of unintentional starting. Ensure that the switch is in the "OFF" position (off) before connecting the wire to the plug.

- Use recommended accessories. See the instruction manual to check recommended accessories. Improper use of accessories may cause risk of injury to persons.

- Never step on the machine. May occur serious accident if the machine is dented or if parts are accidentally touched.

- Check for damaged parts. Before continuing the use of Edgebander, a guard or other part that is damaged should be examined carefully to determine its proper operation and perform its function properly. Check the alignment of moving parts, breakage of parts, mounting and any other condition that may affect its operation. Any part that is damaged should be repaired or replaced immediately. Do not use the tool if the switch does not turn on or off.

- Never leave a running tool unattended. Turn off the ignition key.

- The engine of this machine can emit sparks, and explode flammable gases.

- Extension cables. Make sure your extension cord is in good condition. When using an extension, be sure of their ability to transmit the electrical current used by your product. An undersized cord will cause drop in voltage resulting in loss of power and overheating. The following table shows the correct size to be used depending on the cable diameter and amperage rate. If in doubt, use a cable with a higher level of capacity. **IMPORTANT:** Do not use an extension cord with length above 20 meters.

Cable 2 wires		Cable 3 wires	
Ø (mm <sup>2</sup> )	Amperage	Ø (mm <sup>2</sup> )	Amperage
0,5	9	0,5	8
1,0	13	1,0	12
1,5	16,5	1,5	15
2,5	23	2,5	20

#### Additional safety rules for Edgebander:

**CAUTION:** FAILURE TO ATTEND THESE WARNINGS MAY RESULT IN PERSONAL INJURY AND SERIOUS DAMAGE TO THE MACHINE.



**ALWAYS USE PROPER PROTECTIVE EQUIPMENTS TO OPERATE THIS MACHINE.**

- Always use safety glasses. Also use face or dust mask if cutting operation is dusty. Everyday eyeglasses only have impact resistant lenses, they are NOT safety glasses.

- Keep guards in place and working order.

- Protect the electric power supply line with at least a 20 amp fuse or a circuit breaker switch.

- Make sure that the advance is turning in the right direction.

- Make sure that the knobs and screws are properly tightened and safe before starting any operation.

- Keep sharp tools.

- Keep vents free of chips or dirt engines.

- Keep hands away from moving or sharp parts.

- Turn off the machine and unplug the power cord before maintenance or adjustments of the tool.

- Support long pieces with a clamping device for wood.

- Do not attempt to operate the machine in another voltage beyond designated.
- Do not use larger or smaller tools than recommended.
- Do not apply lubricant to the tools during use.
- Do not operate without some parts of the machine.
- Do not put your hands less than 4in from the shaft.
- Do not put your hands in closed parts of the machine unless it is turned off and unplugged.
- Do not use lubricants or cleaners (particularly sprays and aerosols) in the vicinity of the plastic guard. The polycarbonate material used in the guard is sensitive to certain chemicals.

**WARNING:** Some dust created by the act of sanding, cutting, grinding, drilling and other construction-related activities contains chemicals that can cause cancer, birth defects or other reproductive harm. Some examples of these products are: Lead-based paint; crystal silica bricks, concrete and other masonry products; and arsenic and chromium from chemically treated wood.

**CAUTION:** Do not connect the unit to the power outlet until all instructions have been read and understood. Always tighten the adjustment tabs before using the machine. Think: "I can prevent accidents".

Do not operate the machine unless the guards are in their proper places. Always use protective goggles.

### Electrical connection

The Edge Bander CBC FLEX MAKSIWA has engine 1-phase 110V. To avoid burning risk, check the voltage of your outlet before starting the machine. If necessary make the change of your power with the help of a specialist.

Ensure that your power supply is in accordance with the designated on the board. A 10% decrease in voltage or more will cause loss of power and overheating. All equipment MAKSIWA are tested at the factory. If this machine does not work, check the electricity supply. Check the compatibility of your outlet and plug the machine. Do not do patches and adaptations. To avoid electrical shock and damage to the equipment always ground the machine.

### Familiarization

Put the machine on a smooth and flat surface. Check the pictures and watch the descriptions to familiarize yourself with its components. The next section will deal with the necessary adjustments for the proper

parts and will need to know where they are.

### Especifications

*Tape thickness: 0,3 mm to 2 mm (1/64" to 5/16")*  
*Feeder speed: 20 ft/min*  
*Power: 1.500 Watts*  
*Motor: 1 Phase*  
*Volts/Amps: 127 V - 5,9 A*  
*Net weight: 21,1 pounds*

### Transport and Installation

The transport of the machine, due to its reduced weight, can be done by only one person.

For packaging purposes, the machine is not fully assembled. If you notice any damage caused by transportation, while you open the package, notify your supplier immediately. Do not operate the machine.

### Dispose the packaging in a friendly way with the environment.

The Edge Bander is designed to operate indoors and should be placed on a firm, stable and level surface.

**CAUTION:** To prevent the machine from moving and causing lack of precision, ensure that the base where it is supported is not uneven.

## UNPACKING AND ASSEMBLY

### UNPACKING

Due to modern mass production techniques, it is unlikely that Edge Bander CBC FLEX MAKSIWA is faulty or have parts missing. If you find anything wrong, do not use the machine until the parts are replaced or the fault is corrected. By doing this you are avoiding serious injury.

1º - You will receive your machine packed.

2º - Remove the machine from the packaging as well as all accompanying parts and accessories. To facilitate assembly, place it on the stand. Attach the Front Support with the 2 handles, as shown below:

## ADJUSTMENTS

### ADJUSTMENTS

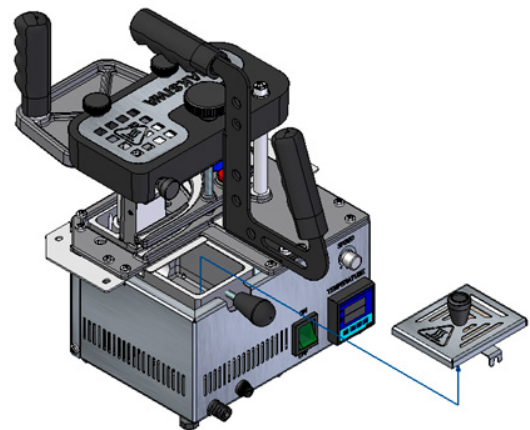
The following shown adjustments must be made before using your Edge Bander CBC FLEX for the first time or when some kind of change is made as thick tape or thickness of the wood.

**CAUTION:** ANY ADJUSTMENT NEEDS TO BE MADE WITH THE MACHINE OFF AND DE-ENERGIZED (unplugged).

#### 1. GLUE

The glue to be used in your Edge Bander CBC FLEX MAKSIWA is granulated glue type Hot Melt.

Always check the amount of glue on your machine. Because of factory tests, their CBC FLEX can go with a certain amount of glue.

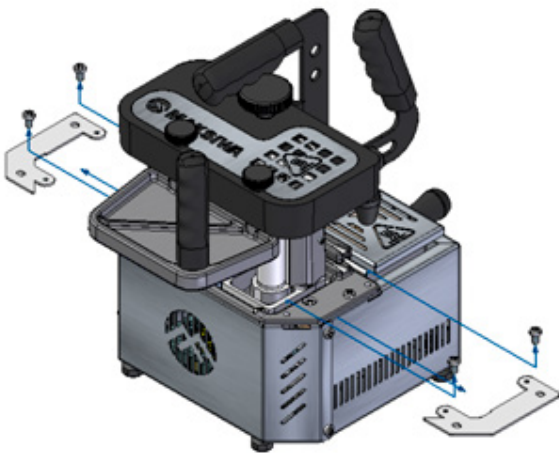


If necessary insert adequate glue to the color of panel wood and tape that you are using.

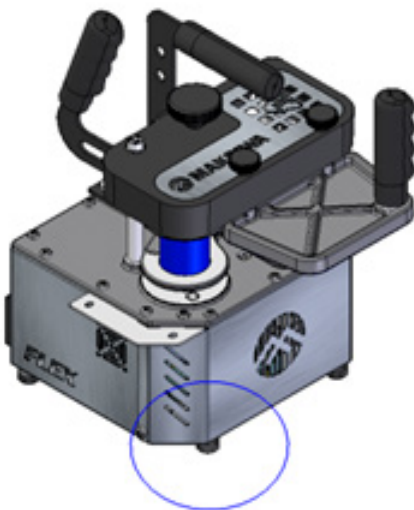
Do not put too much glue, because when it melt and during operation of the machine may overflow and cause leaks. Let also not miss glue in the glue pot because this can cause failures in the collage.

**NOTE:** The brand and quality of the glue is fundamental. The MAKSIWA recommends glues that work in the range of 160°C to 190°C. On top of that, high temperature and melt glues can damage the tape.

3° - Adjust the positioning of the supports until the machine is level, and then tighten the screws near the base. The supports should only be fitted if the FF.500 is to be used.



4° - Check that the leveling foot is tightened and adjusted, if it is to be used with the FF.500, as shown below:



**GLUE EXCHANGE:** If you change the color of your tape or the color of the wood panel, you may change the glue on your Edgebander. To change the glue follow these steps, but first read the rest of this manual to be familiar with all operations:

- Turn on the machine and set the temperature controller to 70°C (158°F) (see this manual to program the controller).
- At this temperature, the glue is not too hot (soft) or too cold (hard). So you can remove the entire glue without much difficulty.
- Use a trowel or piece of wood, avoiding scrape the walls of collared, damaging the same.
- After removing all the glue, put the new glue.
- Set the temperature controller according to the specification of the glue again.

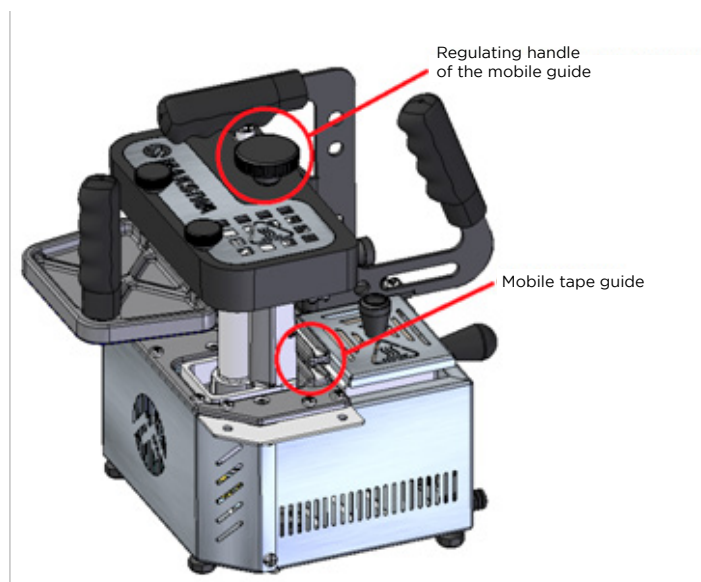
**GLUE INDICATIONS:** With this machine we recommend the following glue brands:

- Arteccla - 160°C a 180°C - Ivory-Color. Cod. 1820 White. Cod. 1821
- Durante Duditerm - 160°C a 180°C - White. Cod. 715/15
- Jowat - 150°C a 180°C - Ivory-Color. Cod. 282.20 White. Cod. 282.21
- Proadec - 160°C a 180°C - Ivory-Color. Cod. 5707
- Kleiberit - 150°C a 180°C - Ivory-Color. Cod. 788.3/20 White. Cod. 788.3/10

## 2. TAPE (EDGE BAND)

The Edge Bander CBC FLEX MAKSIWA is designed to work with PVC tape, ABS, paper and wood that do not have glue, only straight parts. Use tapes approximately 4 mm wider than the wood panel.

The tape should be below the movable guide and adjusted by the handle, as shown below:



- Insert the cut piece of tape as far as the panel that will be glued the border tape.
- Push the tape, until the end of the movable guide, next to the roller.
- Tighten the handle, causing the guide to rest against the guide, leaving a slight clearance so that the ribbon slides freely through the guide. The height of the guide will be adjusted according to the height of the ribbon.
- With a piece of wood attached, support the machine on it, causing the collet shaft to contact the wood. The collet shaft should move slowly (about 0.5 to 1 mm) so that, when in operation, pass glue without hitting the glue shaft abruptly. A light contact, so that the glue is passed continuously and evenly.

**TAPE PLACEMENT:** To position your edge ribbon correctly, follow these steps:

- Cut the tape to the desired size according to the wooden panel.
- Insert the tape into the tape guide as mentioned above, so that it loses its height, without holding it. Make sure that by pulling and pulling on the tape, it can move freely.
- Position the tape to the zero point, that is, at the point where the wood touches the tape, taking it with a small leftover that will be unboxed.
- Your edge tape is adjusted.

## OPERATIONS

The operations made by the Edge Bander CBC FLEX, as well as any other machine, can pose risks to the operator if the instructions in this section are not taken into account.

These instructions are written with the understanding that the operator has the knowledge and skills necessary to operate this machine. If at any time you feel difficulty performing any operation, stop using the machine. If you are an inexperienced operator, we recommend that you read books, technical papers, or seeks training from an experienced operator before performing any operation unknown.

The machine must operate with all the protections and security systems that comes standard.

Above all, your safety must come first.

## 1. STARTING AND CONTROL

To turn on your CBC FLEX MAKSIWA, proceed as follows:

- Connect the socket previously installed in the Single Phase 127 V network.
- At the rear of the machine you will find different commands. Know each one of them and their functions:



1. Turn the power switch on. This button powers the machine.

2. Advance button: this button activates the feed (rubber shaft and glue shaft) but this button will only be released after the glue reaches the set temperature.

3. Temperature controller: has two displays - the upper display shows the actual temperature of the glue (red numbers) and the lower display indicates the adjustable temperature (green numbers).

- And the following keys: SET - ► - ▼ - ▲. Follow the guidelines below to change the temperature of the controller.

- Turn on the green button (1).

- Select the temperature according to the glue specification. To change the working temperature, press the ► key, making it possible to change the parameters (press this key until you reach the digit you want to change). Then press the ▼ or ▲ keys to change the temperature. At the end, press the SET key, which will record the change, giving sequence in the temperature change.

**NOTE:** The advance process is activated only when the temperature is 10°C below or above the set temperature. Outside of this range, the process is disabled and the advance button (2) does not work.

4. The fuse is an electrical circuit safety device. With the function of interrupting the passage of electric current in the circuit, when the current exceeds that allowed by the fuse, thus avoiding a short circuit.

**NOTE:** The CBC FLEX temperature controller is programmable to a maximum temperature of 220°C (428°F), for near and above this temperature MAKSIWA do not recommended work with glues for high temperature because they can melt the tape.

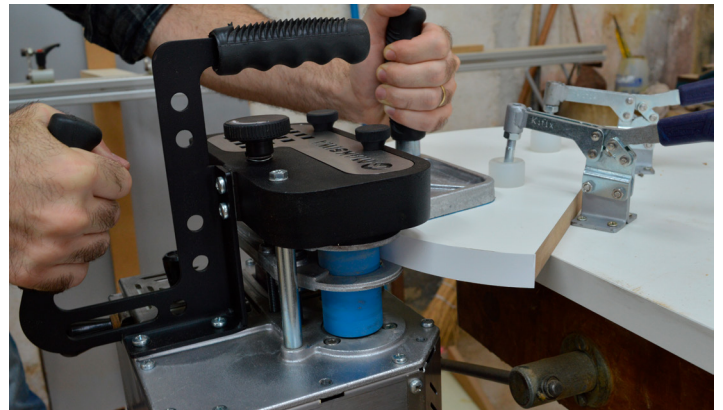
- Once connected and adjusted with the temperature, CBC FLEX takes some 20 to 30 minutes to reach set temperature, starting from room temperature.

- Upon reaching the set temperature, the feeder switch 5 is ready to be turned on, activating the axes. Your Edge Bander is ready to start the first tests. At this point it is important to use pieces of wood just for testing, until you are acquainted with all functions of the machine.

## FIRST TESTING

Just go forward at this point if you have read the entire manual and have safety to operate the equipment. If necessary, contact the manufacturer. With all the adjustments made, the machine set and at the correct working temperature, you can start the first work tests. For this, use pieces of wood that will not be used (flaps), until you guarantee total operator / machine reliability.

- To start, hold the CBC FLEX leaning on the wood pushing against the wooden panel. See the following image:



**CAUTION!** Risk of crushing and cutting. Do not put your hands closer than 10 cm from the tape detope knife (if using the FF.500). Do not wear gloves or loose clothing when operating this equipment. If your wood is too long, lean on the sides of the machine to avoid warping the wood.

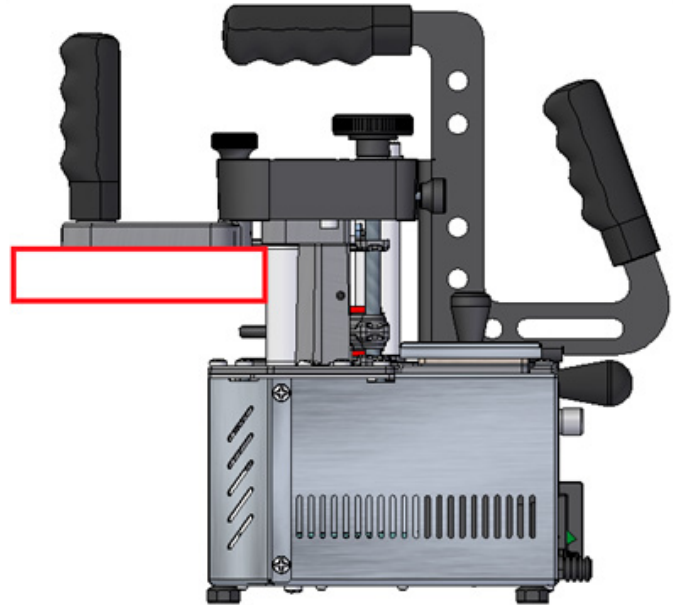
**NOTE:** You will notice that the CBC FLEX can detope the ribbon close to the wood panel, allowing a better finish of its edges using it with the FF.500 table.



It is normal after the end of the process that small amounts of glue are left around the tape. If this happens, remove this excess glue with a cloth with tiner, kerosene or even with a stylus, being careful not to scratch the wood or the tape.

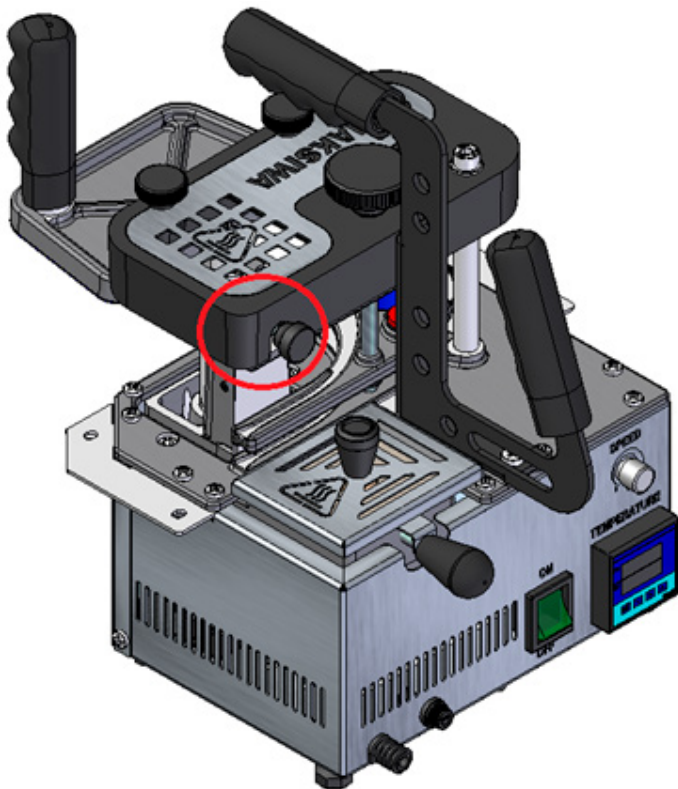
## SQUARE

The square of the machine is made through the front support as shown in the following image:



## GLUE THICKNESS

According to the first tests you will find an ideal amount of glue that must pass the panel. In case you notice that the tape is easily released from the wood, the cause may be lack of glue. Or if not, there may be glue excess, with glue excess on the sides of the tape. To adjust the glue thickness, do the following:



- If you want to reduce the thickness of glue, slightly turn the knob counterclockwise. If you want to increase the thickness of glue, turn the knob clockwise. Note that small changes (about 1/4 turn) already cause a considerable change in glue thickness. Find the ideal quantity, which can vary according to the type and brand of tape, glue and the temperature being worked.

## MAINTENANCE

### IMPORTANT:

All maintenance or cleaning on the machine must be made with the same **OFF** and unplugged from the outlet to prevent accidental discharges.

### GENERAL

Periodic maintenance on your Edge Bander CBC FLEX MAKSIWA will ensure optimum performance. Make it a habit to inspect your edgebander every time you use it.

This section covers the service adjustments or common procedures that may need to be made during the life of your machine.

Verify if the following conditions for repair or replacement are needed:

- Loosen screws.
- Switches or buttons damaged.
- Cables, plugs or sockets worn or damaged.
- Transmission chain damaged.
- Dirt Glue axis or glue pot. The dust coming from saw machines can lock the axis. Keep your CBC FLEX as distantly as possible of saw machines.



## TECHNICAL ASSISTENCE

- Any other condition that could adversely affect the safe operation of the equipment.

### CLEANING

Clean your Edge Bander CBC FLEX is relatively easy. Use a vacuum cleaner to remove the tape remains, and dusting with a dry cloth. If there is any glue residue use a resin remover and a clean cloth to remove it. Keep the table clean after each use.

Periodically (and always with the machine off) it is important to do all the cleaning of the machine, removing glue residue that could affect the proper functioning of the equipment. Clean the guides, the axes and the main cutter carefully.

To maintain quality of the cutter, it is very important to keep the scissors free of glue residue or tape. To clean it, use a cloth with thinner or kerosene, gently wipe the cutter, removing all the glue residue (FF.500).

### LUBRIFICATION

Once all bearings are shielded and have permanent lubrication, just leave them like this until it is need to be replaced. Do not lubricate them. For the other items on this machine, an occasional application of micro-electric machine oil is needed in the hinge that moves the glue pot and manual cutter scissors. Before lubricating, try cleaning the areas to be lubricated, eliminating the accumulation of dirt.

### MAINTENANCE SCHEDULE

#### Daily:

- Aspirate all dust on top and around the machine.
- Clean the guides, rubberized axis and manual cutter, freeing of all glue residue.
- Check the level of glue on the glue pot.

#### Weekly:

- Clean dust accumulation inside the back cover, around the glue axis and glue pot of the machine.
- Check for wear or damage to the buttons and cord.
- Check wear manual cutters. (FF.500)

### ELETRIC PANEL

NEVER MOVE OR DO MAINTENANCE ON THE ELECTRIC PANEL WITH MACHINE ON OR CONNECTED ON THE POWER SUPPLY. LOOK FOR SERVICE AUTHORIZED MAKSIWA WHEN YOU NEED TO HANDLE THE ELECTRIC PANEL.

### WARRANTY TERM

MAKSIWA assures the owner that their equipment, identified by the Serial number issued on the Warranty Terms.

The equipment under warranty, for two (2) years, is as followed:

1. The warranty period begins on the date of the Warranty Terms below.

2. Within the warranty period, the manual labor and the components replaced by manufacturing defect will be provided for free as long as duly proved by Maksiwa Service.

3. Third-party manufacturing equipment that makes up the MAKSIWA equipment (such as motors, electrical equipment, belts etc.) are subject to the terms and conditions of warranty of their respective manufacturers.

4. In case an exchange of machine is needed, please return the defective part or machine to MAKSIWA.

5. All workplace adaptations for the equipment are under the responsibility of the machine owner.

6. If you notice any defect or malfunction when receiving the equipment, get in touch immediately with the manufacturer or Dealer. Do not turn it on.

7. Not included in this warranty is any technical visits aimed at cleaning or adjustments caused by wear, resulting from normal use of the equipment.

8. The warranty does not cover problems caused by mistreatment, carelessness, misuse or inappropriate use of the functions designed for this equipment in this manual, as well as poorly executed operations by untrained operators to operate it.

9. MAKSIWA is not responsible for lost productivity, direct or indirect damages caused to the owner of the equipment or to third parties, or any other expense, including lost profits.

10. Even under warranty, you may lose its validity as follows:

- a) Application of non-original components;
- b) Alteration of its original features;
- c) Lack of proper maintenance;
- d) Improper use of the equipment;
- e) Change in equipment or electronic connections;

f) Damage caused by mechanical shock or exposure to unsuitable conditions (humidity, salt spray, corrosive agents, etc.);

g) Damage caused by bad weather (floods, flooding, lightning, power outages etc.).

For your safety, trust the repairs, maintenance and adjustments (including inspection and replacement) for technical assistance recommended by MAKSIWA, always use genuine spare parts and accessories, reassembling to its original machine the same way.

**Manufactured by:**  
**Maksiwa International Inc.**  
**4100 N Powerline Rd, Suite D1**  
**Pompano Beach, Florida**  
**ZIP Code: 33073**  
**Telephone: +1 (754) 205-6717**  
**Call us free: +1 (844) 319-6594**  
**E-mail: [customer.service@maksiwa.com](mailto:customer.service@maksiwa.com)**  
**[www.maksiwa.com](http://www.maksiwa.com)**

## SOLUTION GUIDE

PROBLEM	CAUSE	SOLUTION
Machine is not turn on	Plug disconnected or connected improperly.	Check the connection and the voltage of your power supply.
	Main switch off.	Turn on the Main switch.
	ON switch off.	Turn on the ON switch (green).
	Emergency switch activated.	Rotate clockwise to release.
	Circuit breaker off.	Check the voltage of your Power supply (127 V) and turn on the breaker inside of panel.
The glue is not heating	Temperature Controller unregulated.	Adjust the temperature settings.
	Burned resistance.	Contact the Maksiwa Service to change the resistance.
The tape is not gluing	The glue is not at the correct temperature.	Check the glue temperature specification.
	Missing glue at the glue axis.	Complete the glue pot with more glue.
	The glue is inadequate to this equipment.	Check the directions about glue brands in this manual.
	The thickness of the glue is incorrect.	Adjust the thickness of the glue (check this manual).
	The glue axis is out of bracket (square).	Adjust the bracket of the glue axis (check this manual).
	The edge of the panel is out of square.	Check the square of your panelyou're your panel saw.