

REVISIONS

ZONE	REV.	DESCRIPTION	DATE	APPROVED
N/A	D	HW-1026 QTY 6 WAS QTY 4	10/17/2008	SSL

RAMS - 2013, S & DRIVE MACHINE

ITEM NO.	PART NUMBER	DESCRIPTION	QTY.
1	S&D-1700	S & DRIVE CABINET ASSEMBLY	1
2	N/A	3 HP, 1740 RPM, 230V, 182T-215T MOTOR	1
3	HY-1201-002	BACK PANEL ASSEMBLY	1
4	HY-1201-001	FRONT PANEL ASSEMBLY	1
5	PITT-22	RAMS LOGO SIGN	1
6	N/A	POWER CORD ASSEMBLY	1
7	69915K57	CORD GRIP	1
8	N/A	30A, 220 VOLT, AC SWITCH	1
9	N/A	220 VOLT LIGHT ASSY	1
10	BK34x1.125	PULLEY, V-BELT, SINGLE	1
11	S&D-1013	S CLEAT GUIDE BAR	1
12	S&D-1500	GEAR BOX ASSEMBLY	1
13	HW-1045	FHCS, 1/4-20 X 3/4", BLACK OXIDE	4
14	HW-1096	FHCS, 3/8-16 X 1", BLACK	4
15	HW-1031	HHCS, 1/4-20 X 3/8", ZINC	28
16	HW-1009	WASHER, 1/4" FLAT, 5/8" O.D., ZINC	36
17	S&D-1007	CABINET TOP, INFEEED	1
18	2054	ADJUSTING BOLT:1/4-20 THREAD	4
19	SHCS BO .25-20 X .75	SHCS 1/4-20 x 3/4 BO	2
20	HW-1002	PHMS, 6-32 X 1/2", ZINC	2
21	HW-1026	HHCS, TYPE F THD CUTTING, 8-32 X 3/8", ZINC	6
22	V-BELT	5L540 V-BELT	1
23	HY-1350	WASHER, MOTOR	4
24	HW-1014	HHCS, 1/4-20 X 3/4", ZINC	4
25	HW-1047	NUT, HEX, NYLOCK, 1/4-20, ZINC	4
26	S&D-1016	PLATE, S & DRIVE	1
27	S&D-1011	TOP COVER	1
28	S&D-1018	OUTFEED GUIDE ASSEMBLY	1
29	HW-1051	NUT, HEX, 3/8-16, ZINC	4
30	RAMS 2013	SERIAL NUMBER TAGS	1
31	Caution Label	LABEL, CAUTION	1
32	Made in the USA	LABEL, MADE IN USA	1
33	S&D-1013-1	S CLEAT GUIDE BAR (SLOTTED)	1
34	S&D-1014	AUXILIARY GUIDE BAR	1
35	AX-1735	CUSTOM HHCS, 3/8-16 x 1-1/4"	4

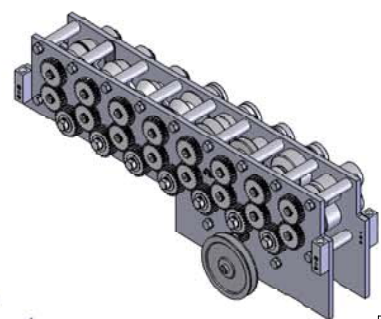
DIMENSIONS ARE IN INCHES
TOLERANCES:
 FRACTIONAL ± 1/16
 ANGULAR: MACH ± BEND ±
 TWO PLACE DECIMAL ±.01
 THREE PLACE DECIMAL ±.005

DRAWN	NAME	DATE	HORIZON SYSTEMS MACHINING 9121 58TH PLACE KENOSHA, WI 53144 PH: 262-605-1122 FAX: 262-605-1198
CHECKED	RAF	07/03/07	
ENG APPR.	SSL	12/15/08	
MFG APPR.			
G.A.			

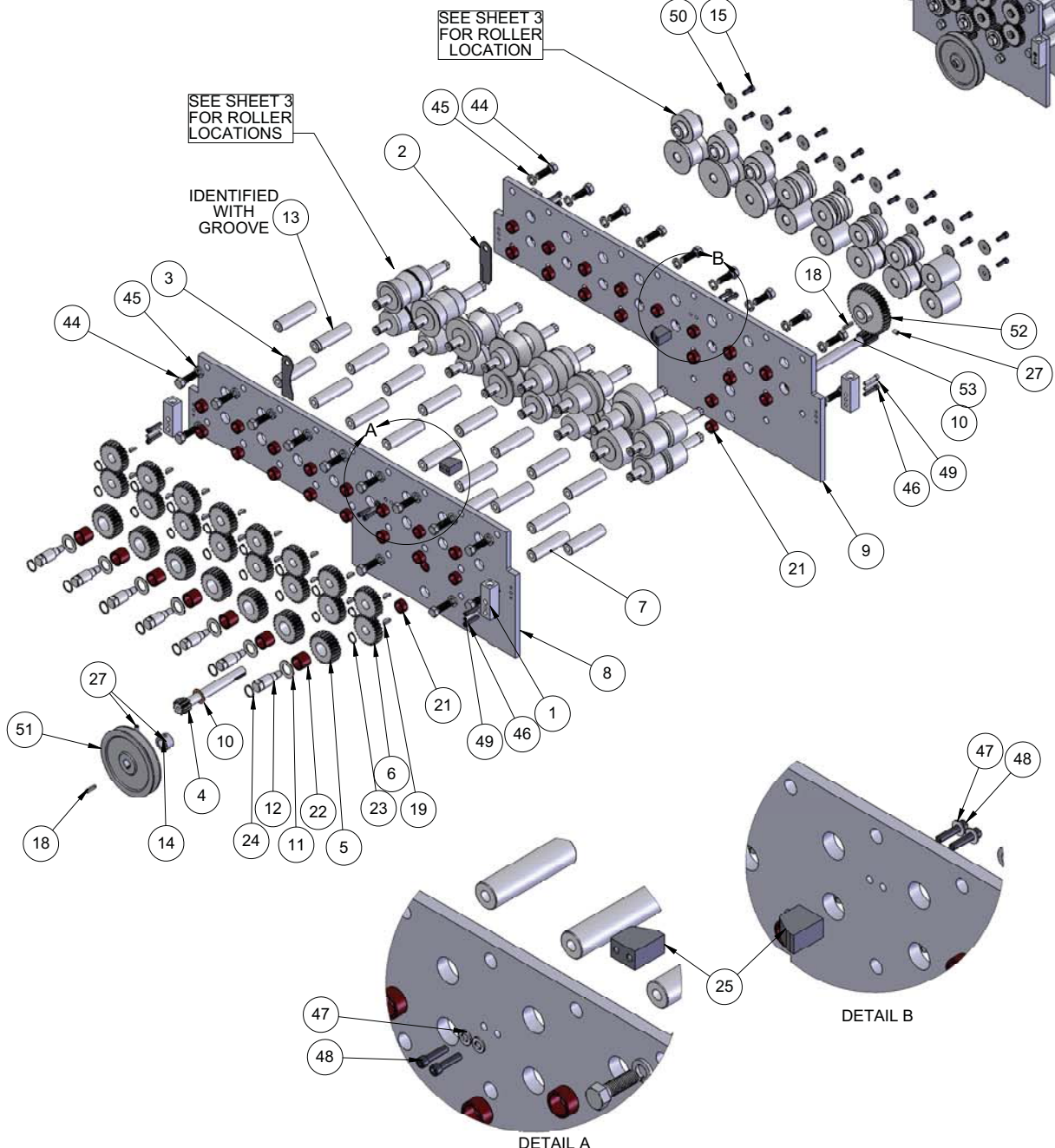
SEE BOM		TITLE: S & DRIVE MACHINE	
SEE NOTES	SIZE: C	DWG. NO.: S&D-2013	REV: D
DO NOT SCALE DRAWING		SCALE: 1:6	SHEET 1 OF 3

THE INFORMATION CONTAINED IN THIS DRAWING IS THE SOLE PROPERTY OF HORIZON SYSTEMS MACHINING. ANY REPRODUCTION IN PART OR AS A WHOLE WITHOUT THE WRITTEN PERMISSION OF HORIZON SYSTEMS MACHINING IS PROHIBITED.

REVISIONS				
ZONE	REV.	DESCRIPTION	DATE	APPROVED
-	-	See Sheet1	-	-



RAMS - 2013, S & DRIVE MACHINE



ITEM NO.	PART NUMBER	DESCRIPTION	QTY.
1	S&D-1004	SUPPORT FOOT	4
2	S&D-1005	LEFT ALIGNMENT TAB	1
3	S&D-1006	RIGHT ALIGNMENT TAB	1
4	S&D-1303	#3 DRIVE GEAR	1
5	S&D-1304	#4 DRIVE GEAR	7
6	S&D-1306	ROLLER GEAR	16
7	S&D-1501	THREADED SPACER	19
8	S&D-1502	BACK SIDE PLATE	1
9	S&D-1503	FRONT SIDE PLATE	1
10	S&D-1506	BRASS WASHER, 1.25 OD X .769 ID X .03 THK	2
11	S&D-1507	IDLER GEAR RETAINING WASHER	7
12	S&D-1509	#4 DRIVE GEAR RETAINING SHAFT	7
13	S&D-1510	SHORT THREADED SPACER	1
14	HW-1330	SPACER	1
15	HW-1000	SHCS, 5/16-18 X 3/4, BLACK	16
16	S&D-1406-T	#6 STATION TOP S-CLEAT ROLLER	1
17	S&D-1406-B	#6 STATION BOTTOM S-CLEAT ROLLER	1
18	HW-1040	KEY, 3/16 X 3/16 X 1	2
19	HW-1077	WOODRUFF KEY #606	16
20	S&D-1404-T	#4 STATION TOP S-CLEAT ROLLER	1
21	BRG-1005	NEEDLE BEARING, 3/4 ID X 1 OD X 1/2 THK, B-128	36
22	BRG-1014	NEEDLE BEARING, 7/8 ID X 1 3/16 OD X 1 THK, BH-1416	7
23	97633A250	.750" X .042" THK RETAINING RING	16
24	97633A270	.875" X .042" THK RETAINING RING	7
25	S&D-1003	CLEAT GUIDE BLOCK	2
26	S&D-1401-T	#1 STATION TOP S-CLEAT ROLLER	1
27	HW-1093	SET SCREW, 5/16-18 X 1/2, CUP POINT, BLACK	3
28	S&D-1801-T	#1 STATION TOP CLEAT ROLLER	1
29	S&D-1801-B	#1 STATION BOTTOM CLEAT ROLLER	1
30	S&D-1802-T	#2 STATION TOP CLEAT ROLLER	1
31	S&D-1802-B	#2 STATION BOTTOM CLEAT ROLLER	1
32	S&D-1803-T	#3 STATION TOP CLEAT ROLLER	1
33	S&D-1803-B	#3 STATION BOTTOM CLEAT ROLLER	1
34	S&D-1804-T	#4 STATION TOP CLEAT ROLLER	1
35	S&D-1804-B	#4 STATION BOTTOM CLEAT ROLLER	1
36	S&D-1805-T	#5 STATION TOP CLEAT ROLLER	1
37	S&D-1805-B	#5 STATION BOTTOM CLEAT ROLLER	1
38	S&D-1806-T	#6 STATION TOP CLEAT ROLLER	1
39	S&D-1806-B	#6 STATION BOTTOM CLEAT ROLLER	1
40	S&D-1807-T	#7 STATION TOP CLEAT ROLLER	1
41	S&D-1807-B	#7 STATION BOTTOM CLEAT ROLLER	1
42	S&D-1808-T	#8 STATION TOP CLEAT ROLLER	1
43	S&D-1808-B	#8 STATION BOTTOM CLEAT ROLLER	1
44	HW-1019	HHCS, 1/2-13 X 1.5	33
45	HW-1102	WASHER, SPLIT LOCK, 1/2", ZINC	33
46	HW-1076	SHCS, 1/4-20 X 1 1/4", BLACK	8
47	HW-1008	WASHER, 1/4" FLAT, 9/16" O.D.	4
48	HW-1021	SHCS, 1/4-20 X 1" BLACK	4
49	HW-1151	DOWEL PIN, 1/4" X 1 1/2"	4
50	WASHER-FLAT CS 25	1/4" x 1 1/4" OD Flat Washer, Zinc Plated	16
51	BK60x.75	PULLEY	1
52	S&D-1302	#2 DRIVE GEAR, 30 FEET PER MINUTE	1
53	S&D-1301-T	#1 DRIVE GEAR, 30 FEET PER MINUTE	1
54	S&D-1408-T	#8 STATION TOP S-CLEAT ROLLER	1
55	S&D-1408-B	#8 STATION BOTTOM S-CLEAT ROLLER	1
56	S&D-1407-T	#7 STATION TOP S-CLEAT ROLLER	1
57	S&D-1407-B	#7 STATION BOTTOM S-CLEAT ROLLER	1
58	S&D-1405-T	#6 STATION TOP S-CLEAT ROLLER	1
59	S&D-1405-B	#5 STATION BOTTOM S-CLEAT ROLLER	1
60	S&D-1404-B	#4 STATION BOTTOM S-CLEAT ROLLER	1
61	S&D-1403-T	#3 STATION TOP S-CLEAT ROLLER	1
62	S&D-1403-B	#3 STATION BOTTOM S-CLEAT ROLLER	1
63	S&D-1402-T	#2 STATION TOP S-CLEAT ROLLER	1
64	S&D-1402-B	#2 STATION BOTTOM S-CLEAT ROLLER	1
65	S&D-1401-B	#1 STATION BOTTOM S-CLEAT ROLLER	1

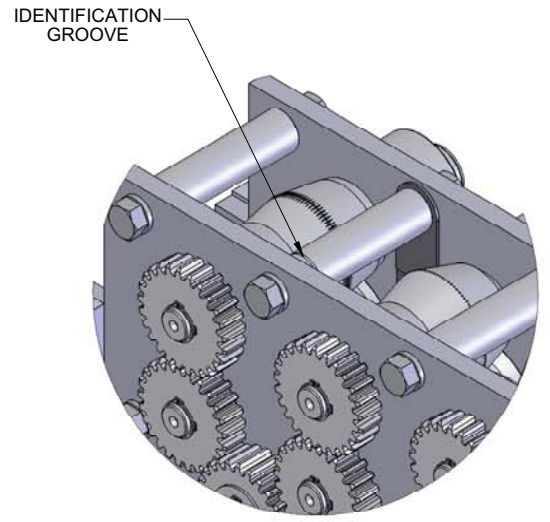
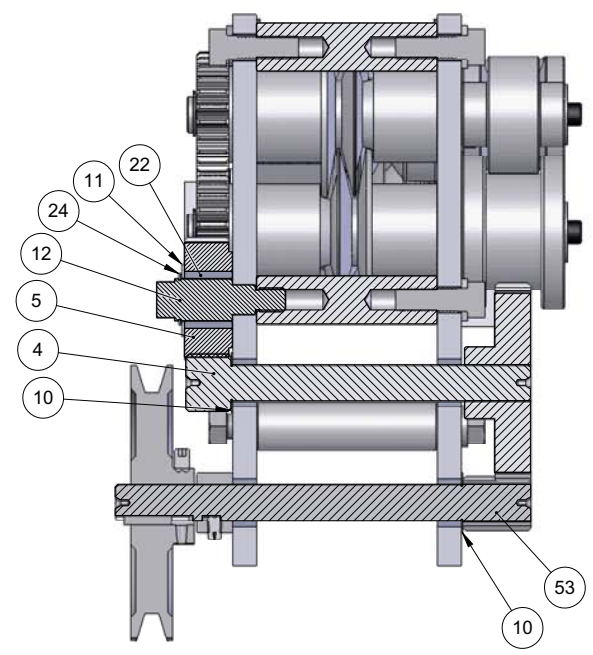
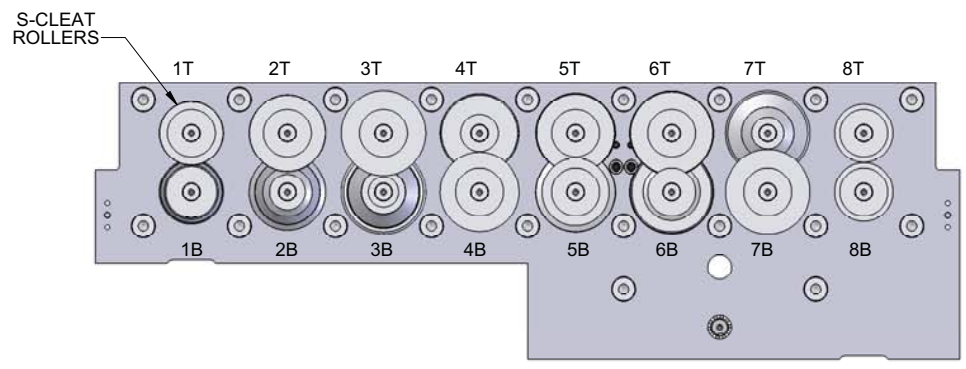
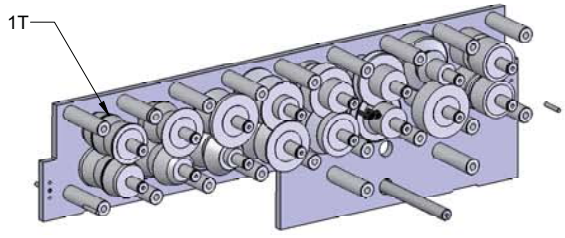
DIMENSIONS ARE IN INCHES
TOLERANCES:
 FRACTIONAL ± 1/16
 ANGULAR: MACH ± BEND ±
 TWO PLACE DECIMAL ±.01
 THREE PLACE DECIMAL ±.005

NAME	DATE	HORIZON SYSTEMS MACHINING 9121 58TH PLACE KENOSHA, WI 53144 PH: 262-605-1122 FAX: 262-605-1198
DRAWN	RAF	
CHECKED	SSL	
ENG APPR.		
MFG APPR.		

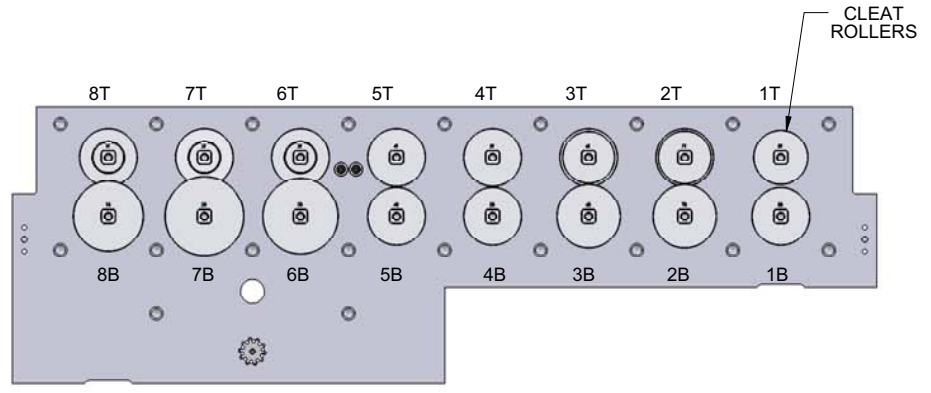
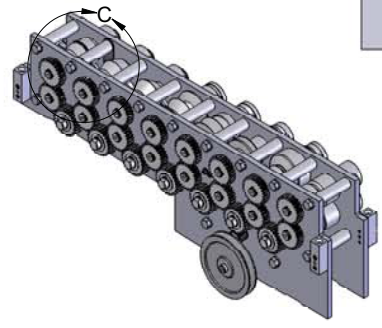
MATERIAL	TITLE: GEAR BOX ASSEMBLY	
FINISH	SIZE	DWG. NO.
N/A	C	S&D-2013
DO NOT SCALE DRAWING	SCALE: 1:6.5	REV D
		SHEET 2 OF 3

THE INFORMATION CONTAINED IN THIS DRAWING IS THE SOLE PROPERTY OF HORIZON SYSTEMS MACHINING. ANY REPRODUCTION IN PART OR AS A WHOLE WITHOUT THE WRITTEN PERMISSION OF HORIZON SYSTEMS MACHINING IS PROHIBITED.

REVISIONS				
ZONE	REV.	DESCRIPTION	DATE	APPROVED
-	-	See Sheet1	-	-



DETAIL C
SCALE 1 : 2



RAMS - 2013, S & DRIVE MACHINE

DIMENSIONS ARE IN INCHES
 TOLERANCES:
 FRACTIONAL ± 1/16
 ANGULAR: MACH ± BEND ±
 TWO PLACE DECIMAL ±.01
 THREE PLACE DECIMAL ±.005

	NAME	DATE
DRAWN	RAF	06/20/07
CHECKED	SSL	12/15/08
ENG APPR.		
MFG APPR.		
G.A.		

HORIZON SYSTEMS MACHINING
 9121 58TH PLACE
 KENOSHA, WI 53144
 PH: 262-605-1122
 FAX: 262-605-1198

THE INFORMATION CONTAINED IN THIS DRAWING IS THE SOLE PROPERTY OF HORIZON SYSTEMS MACHINING. ANY REPRODUCTION IN PART OR AS A WHOLE WITHOUT THE WRITTEN PERMISSION OF HORIZON SYSTEMS MACHINING IS PROHIBITED.

MATERIAL	SEE BOM
FINISH	N/A
DO NOT SCALE DRAWING	

TITLE	GEAR BOX ASSEMBLY		
SIZE	DWG. NO.	REV	
C	S&D-2013	D	
SCALE: 1:6		SHEET 3 OF 3	