

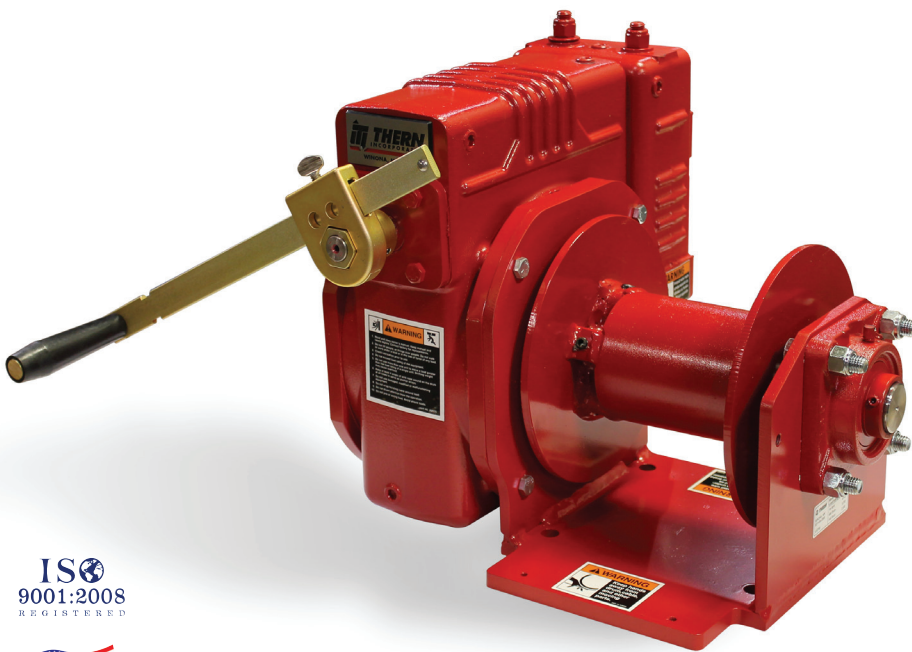
2W40 SERIES

The 2W40 Series worm gear hand winch delivers rugged capacity to benefit a wide range of work site applications. Built to last, it features accurate machine cut gearing, fully-enclosed oil bath and a large diameter drum for reduced wire rope wear.

Also available in an automatic brake configuration for lifting applications, the 2W40 provides heavy-duty load moving capacity and superior performance.

4600 lb Capacity Worm Gear Hand Winch

- Cast Aluminum Construction
- Machine Cut Worm Gears
- Enclosed Oil Bath
- Internal Mechanical Brake
- Large Diameter Drum
- Dual Function Cable Anchor
- Drill-Drivable
- Adjustable Handle
- Corrosion Resistant
- 2-Year Warranty



2W40 shown with "B" optional brake configuration.

ISO
9001:2008
REGISTERED



Made in the USA



LEAVE THE HEAVY LIFTING TO US

HAND / POWER / HYDRAULIC / AIR WINCHES • DAVIT CRANES

Winona, MN USA | www.thern.com

2W40 SERIES

OPTIONS AND ACCESSORIES

DRILL DRIVE KIT

For automated drill-drive operation up to 300 rpm
120 VAC, 11.5 amp, 300rpm drill-motor to power drive the hand winch.
Includes 1-1/8" hex drive socket. (ED300-DW11)

MOUNTING OPTIONS

Include floor, wall and ceiling configurations

EPOXY FINISH

For severely corrosive environments

OTHER OPTIONS AVAILABLE

Please contact Them.



2W40 Series Performance Characteristics¹

Model	Brake	Gear Ratio	Load Rating						Force to lift 1,000 lbs ²		Approx. Ship Weight	
			1st Layer		Mid Drum		Full Drum		(lb)	(kg)	(lb)	(kg)
2W40-L	No	26:1	4000	1815	2800	1270	2200	998	18	8.2	111	50.4
2W40-BL	Yes	26:1	4000	1815	2800	1270	2200	998	18	8.2	107	48.6
2W40-M	No	31:1	4600	2087	3300	1497	2500	1134	11	5.0	123	55.8
2W40-BM	Yes	31:1	4600	2087	3300	1497	2500	1134	11	5.0	109	54.0

¹ Performance Characteristics refer to standard products. Non-standard products may vary from the original design. Contact Them for this information.

² Approximate handle force to lift 1,000 lbs with an empty drum, and maximum length handle.

2W40 Series Performance Characteristics - Drill Drive¹

Model	Load Rating						ED300-DW11 (US) ²			ED220-MT03-50HZ (EU) ²		
	1st Layer		Mid Drum		Full Drum		RPM	Volts	Duty Cycle ³	RPM	Volts	Duty Cycle ³
2W40-M	2300	1043	1650	748	1250	567	300	120	40 ft ⁵ min	220	230	12 m ¹⁰ min
2W40-BM	2300	1043	1650	748	1250	567	300	120	40 ft ⁵ min	220	230	12 m ¹⁰ min

¹ Performance Characteristics refer to standard products. Non-standard products may vary from the original design. Contact Them for this information.

² Allow components to cool between cycles.

³ Duty cycle includes lifting and lowering and may vary depending on load or application.

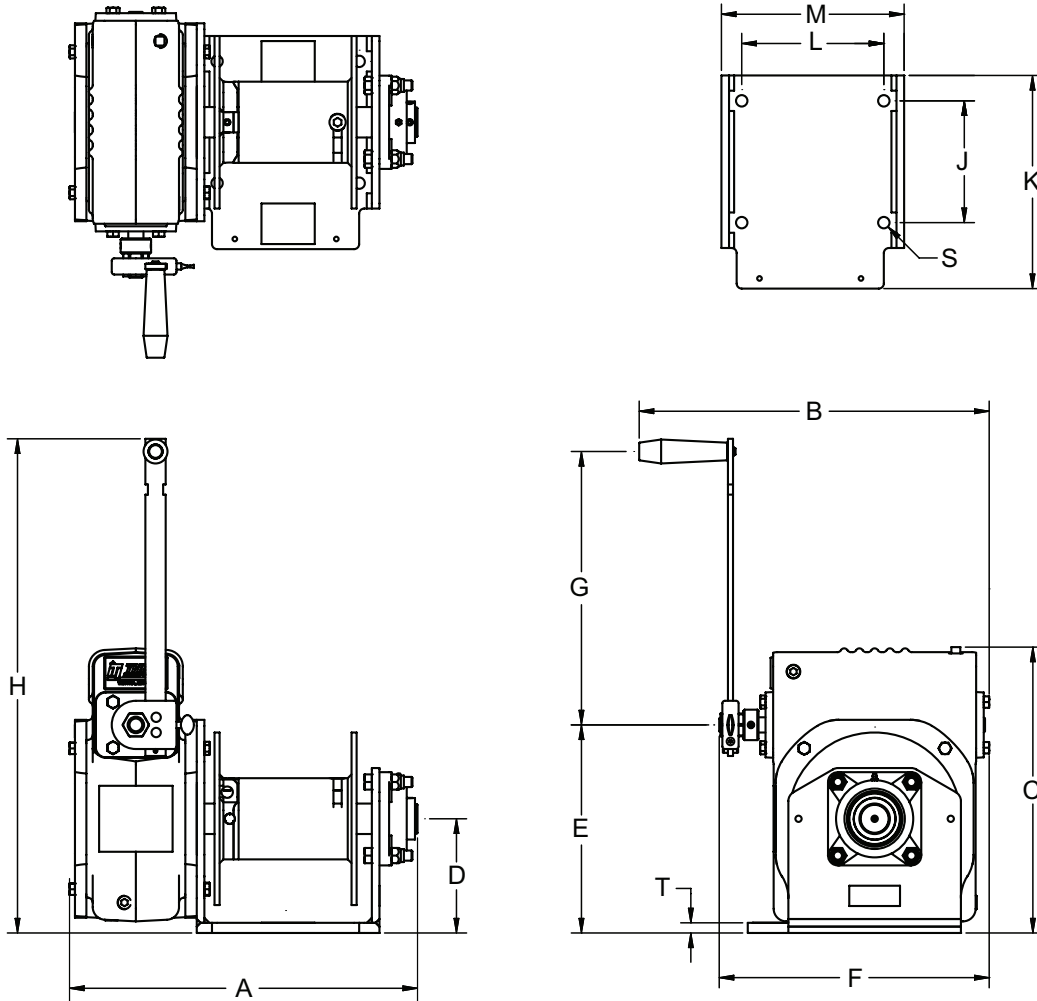
2W40 Series Drum Capacities

Model	Wire Rope Diameter		Breaking Strength		Drum Layer							
	(in)	(mm)	(lb)	(kg)	1st Layer		Mid Drum		Full Drum		(ft)	(m)
2W40	3/8	9.5	15,100	6,849	14	4.3	65	19.8	140	42.7		

Them products are not for lifting people or things over people.

2W40 SERIES

2W40-L/M Series



2W40-L/M Series Worm Gear Hand Winch Dimensions

	A		B		C		D		E		F		G		H	
Model	in	mm	in	mm	in	mm	in	mm	in	mm	in	mm	in	mm	in	mm
2W40-L	17.16	436	19.74	502	14.09	358	5.63	144	10.25	261	14.49	369	18.38	467	29.25	743
2W40-M	17.16	436	17.25	439	14.09	358	5.63	144	10.25	261	13.31	339	13.47	343	24.34	619

	J		K		L		M		S (hole dia.)		T		Flange Dia.		Drum Width	
Model	in	mm	in	mm	in	mm	in	mm	in	mm	in	mm	in	mm	in	mm
2W40-L	6.00	153	10.50	267	7.00	178	9.00	229	9/16	15	.50	13	4.00	102	8.50	216
2W40-M	6.00	153	10.50	267	7.00	178	9.00	229	9/16	15	.50	13	4.00	102	8.50	216

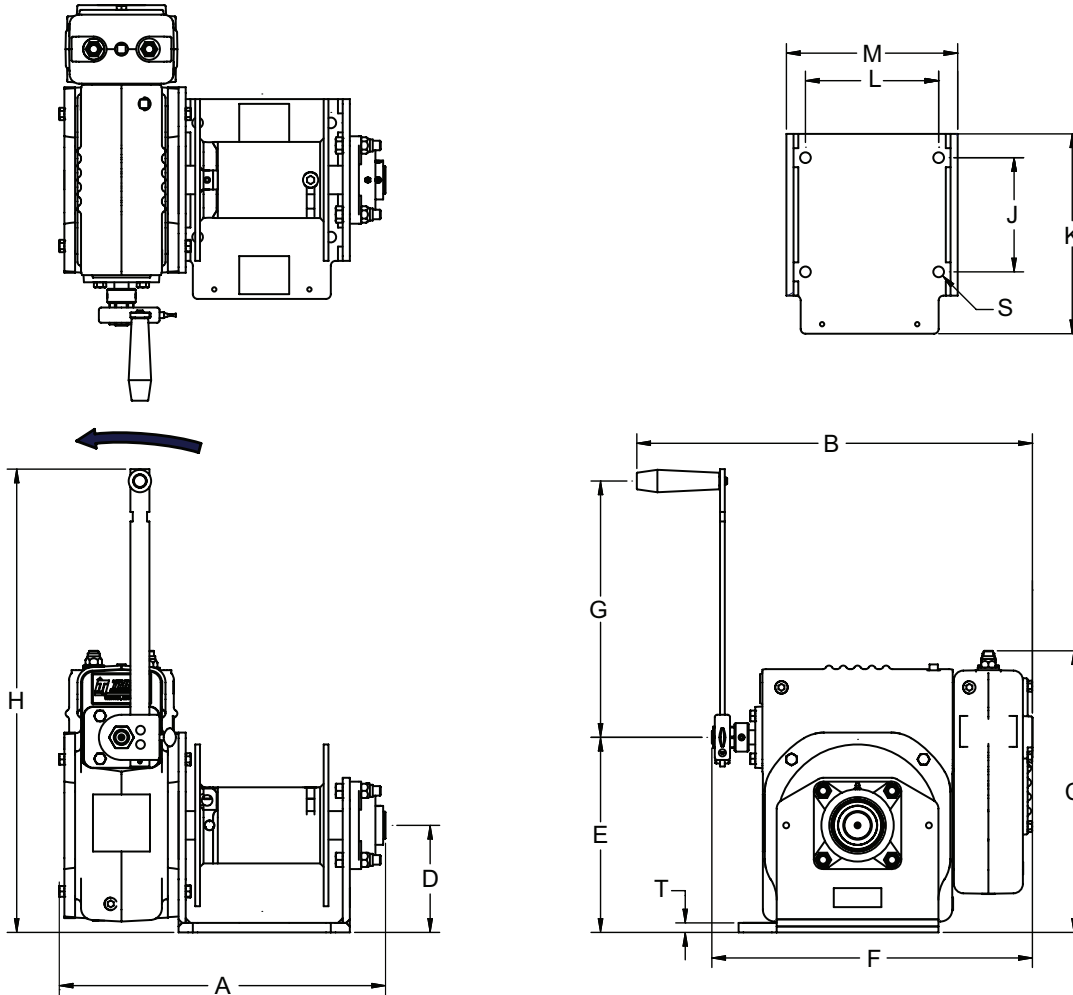
IMPORTANT:

It is the owner or operator's responsibility to determine the suitability of the equipment to its intended use. Study all applicable codes, manuals and regulations. Be sure to read the Owner's Manual supplied with the equipment before operating it.

Them products are not for lifting people or things over people.

2W40 SERIES

2W40-B Series



2W40-BL/BM Series Worm Gear Hand Winch Dimensions

	A		B		C		D		E		F		G		H	
Model	in	mm	in	mm	in	mm	in	mm	in	mm	in	mm	in	mm	in	mm
2W40-BL	17.16	436	23.29	591	14.81	376	5.63	144	10.25	261	18.03	458	18.38	467	29.25	743
2W40-BM	17.16	436	20.79	528	14.81	376	5.63	144	10.25	261	16.84	428	13.47	343	24.34	619

	J		K		L		M		S (hole dia.)		T		Flange Dia.		Drum Width	
Model	in	mm	in	mm	in	mm	in	mm	in	mm	in	mm	in	mm	in	mm
2W40-BL	6.00	153	10.50	267	7.00	178	9.00	229	9/16	15	.50	13	4.00	102	8.50	216
2W40-BM	6.00	153	10.50	267	7.00	178	9.00	229	9/16	15	.50	13	4.00	102	8.50	216

IMPORTANT:

It is the owner or operator's responsibility to determine the suitability of the equipment to its intended use. Study all applicable codes, manuals and regulations. Be sure to read the Owner's Manual supplied with the equipment before operating it.

Their products are not for lifting people or things over people.