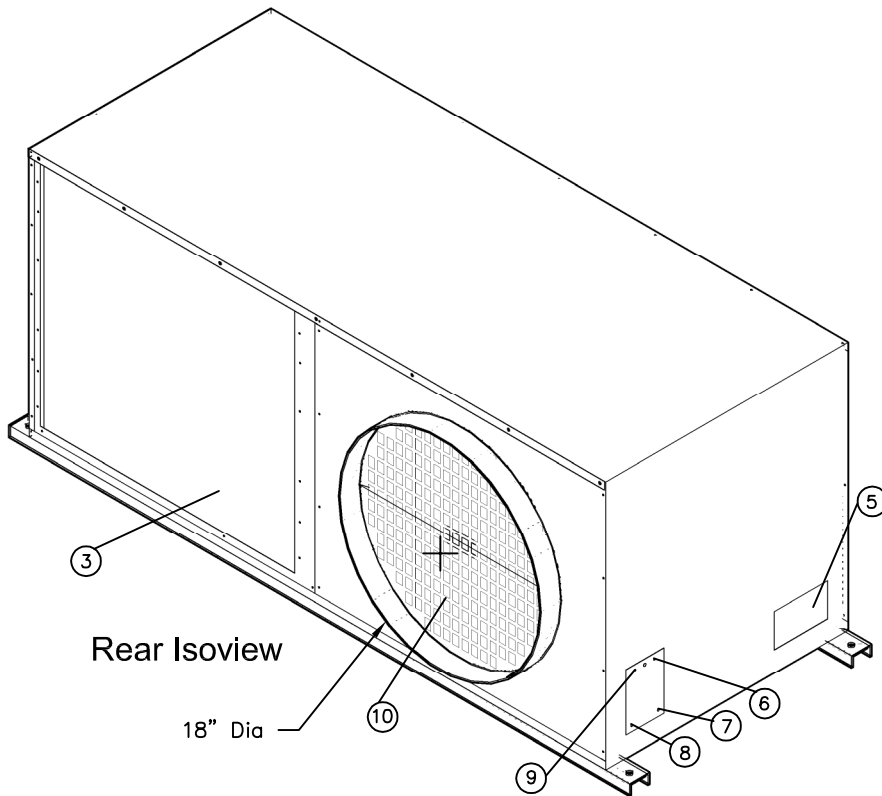
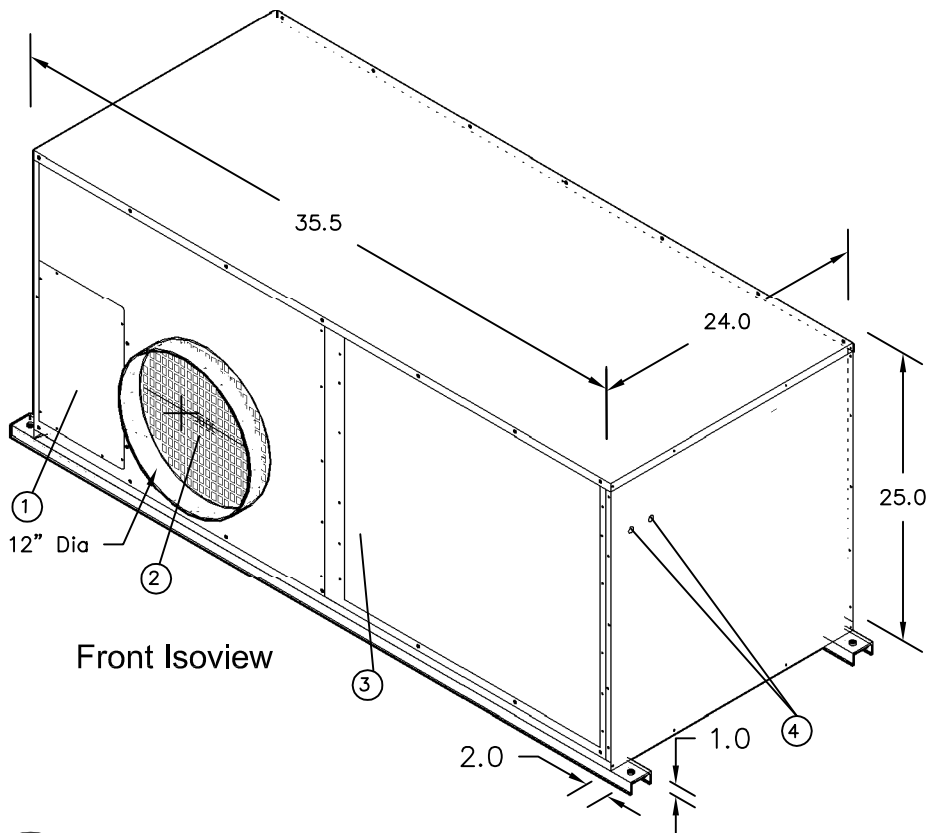


# KCW-6021 5.0-Ton



## Legend

- 1 Electrical Box
- 2 Cold Air Supply (12in)
- 3 Condenser Intake
- 4  $\frac{1}{2}$ " Female Water Hose Connector (Inlet/Outlet)
- 5 Charging Port
- 6 High Pressure Reset Switch
- 7 Power Input Connection
- 8 Hi-Lo
- 9 Drain Line- $\frac{1}{4}$ "
- 10 Return Air Grill (18in)



ETL LISTED CONFORMS TO ANSI/UL  
1995 CERTIFIED TO CAN/CSAA22.2 NO.235

# KwikKool

## 1-800-KWIKOOL

## Model KCW6021 - 5 Ton

<b>COOLING CAPACITY</b>		
	BTU/hr @ 95 F at 60%RH	60,000 (5 TONS)
<b>COMPRESSOR DATA</b>		
	Compressor Type	HERMETIC RECIP.
	Operating Temperatures	60-110 F .50%RH
	Non-CFC Refrigerant Charge (Lbs.)	407C
<b>FAN DATA</b>		
<b>EVAPORATOR</b>		
	Fan Type (Centrifugal)	DIRECT DRIVE
	Air Flow (CFM)	2000
	Cold Air Supply Diameter (Inches)	12 In.
	Cold Air Return Diameter (Inches)	18 In.
	Motor HP	1
<b>WATER FLOW DATA</b>		
	Flow Regulation Valve	AUTOMATIC
	Inlet Water 85F-95F Exit(GPM)	15
	Inlet Water 75F-95F Exit(GPM)	7.5
	Inlet Water 65F-95F Exit(GPM)	5
	Inlet Water 55F-95F Exit(GPM)	3.75
<b>ELECTRICAL DATA</b>		
	Power Supply (Volts)	208/230-Single Phase
	Current Consumption (Amps)	37/33.5
	Power Consumption (KW)	6.5
	Maximum Circuit Breaker (Amps)	40
	Minimum Circuit Ampacity (Amps)	38.5
	Min/Max Voltage	195-225/210-250
<b>DIMENSIONAL DATA</b>		
Unitary Models	Width x Depth x Height (Inches)	24X35.5X25
	Weight (Lbs.)	288
	Shipping Weight (Lbs.)	388
<b>SAFETY DEVICE DATA</b>		
	Compressor Overload	INTERNAL
	Fan Motor Overload	AUTOMATIC INTERNAL
	Evaporator Freeze-up	HOT GAS BYPASS
	High Pressure Switch	MANUAL
	Low Pressure Switch	AUTOMATIC
	Compressor Short Cycle	YES
	Automatic Restart	YES
	Thermostat	Customer Supplied
	Condensate Pump w 20' Head Pres.	YES
	Condensate Pump Overflow	YES
	Condensate Tank Overflow	YES