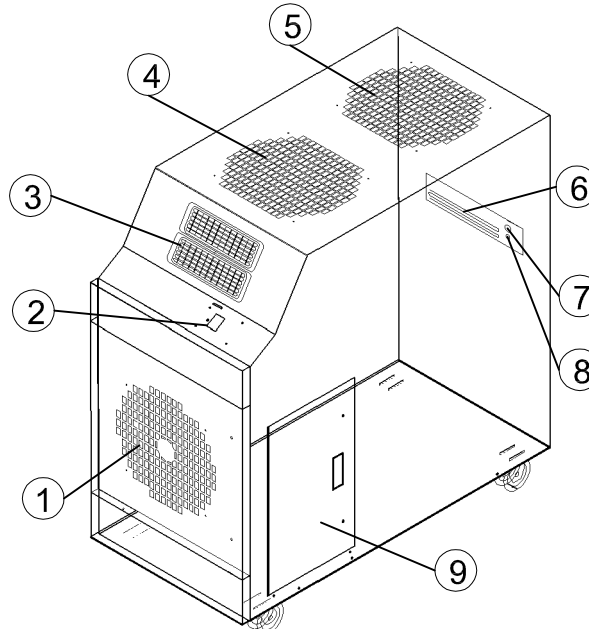


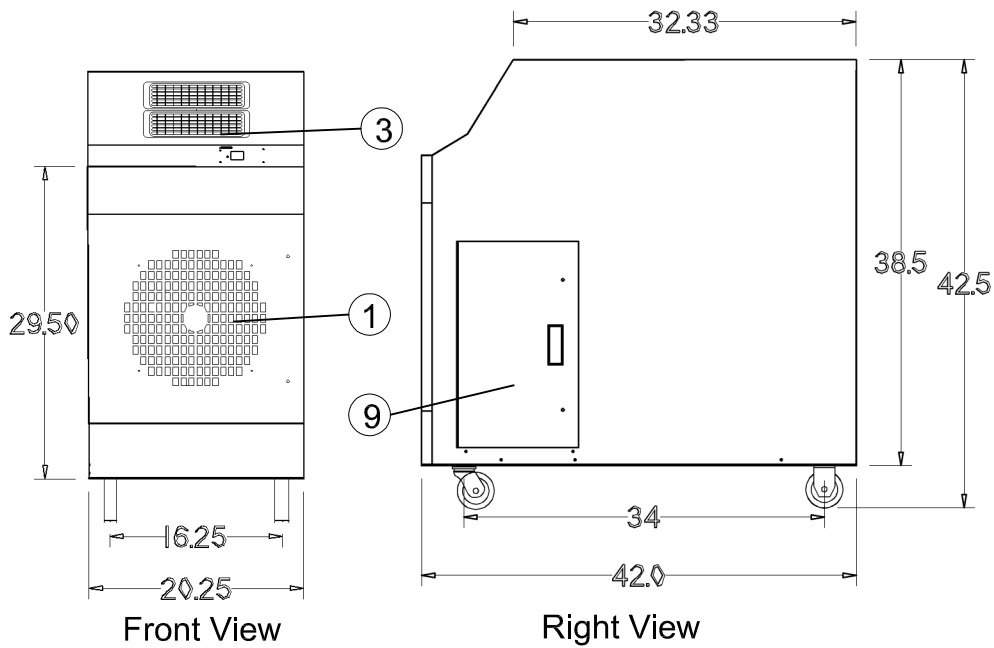
# SAC3021

## Legend

- 1 Return Air
- 2 Control Pad
- 3 Cold Air Supply
- 4 Condenser Air Inlet
- 5 Condenser Air Outlet
- 6 Power Cord
- 7 Condensate Nipple
- 8 Condensate Alarm Jack
- 9 Access Door



Isometric View



1-800-KWIKOOL



ETL LISTED CONFORMS TO ANSI/UL  
 1995 CERTIFIED TO CAN/CSAA22.2 NO.235

**SPECIFICATIONS****Model SAC3021 - 2.5 Ton**

| COOLING CAPACITY   |                                     |                            |
|--------------------|-------------------------------------|----------------------------|
|                    | BTU/hr @ 95 F at 60%RH              | 29,500 (2-1/2 TONS)        |
| COMPRESSOR DATA    |                                     |                            |
|                    | Compressor Type                     | HERMETIC RECIP.            |
|                    | Operating Temperatures              | 60-110 F .50%RH            |
|                    | Non-CFC Refrigerant Charge (Lbs.)   | 407C                       |
| FAN DATA           |                                     |                            |
| EVAPORATOR         |                                     |                            |
|                    | Fan Type (Centrifugal)              | DIRECT DRIVE               |
|                    | Air Flow (CFM)                      | 850/3 Speed                |
|                    | Supply Air Chute Data               | ADJUSTABLE VENT            |
|                    | Supply Air Chute Kit (Optional)     | 2-6" Dia. x 15" Length     |
|                    | Motor HP                            | 1/3                        |
| CONDENSER          |                                     |                            |
|                    | I/O Intergral Condenser - In/Out    | BALANCED AIR FLOW          |
|                    | Fan Type (Centrifugal)              | DIRECT DRIVE               |
|                    | Air Flow (CFM)                      | 1400                       |
|                    | Condenser Hose Data (Optional)      | 2-14" Dia x 8' Length      |
|                    | Condenser Hose Max. Length          | 40"                        |
|                    | Motor HP                            | 1                          |
| ELECTRICAL DATA    |                                     |                            |
|                    | Power Supply (Volts)                | 208/230-Single Phase       |
|                    | Current Consumption (Amps)          | 17.05X15.5                 |
|                    | Power Consumption (KW)              | 3.05                       |
|                    | Maximum Circuit Breaker (Amps)      | 20                         |
|                    | Minimum Circuit Ampacity (Amps)     | 17.35                      |
|                    | Min/Max Voltage                     | 195-225/210-250            |
|                    | Power Cord Gauge/Length             | 12AWG/6                    |
|                    | Plug Configuration                  | NEMA 6-20                  |
| DIMENSIONAL DATA   |                                     |                            |
| Unitary Models     | Width x Depth x Height (Inches)     | 20.25X42X42.5              |
|                    | Weight (Lbs.)                       | 294                        |
|                    | Shipping Weight (Lbs.)              | 379                        |
|                    | Ceiling Kit - CK-24 Weight          | 47                         |
|                    | Total Shipping Weight/w Ceiling Kit | 441                        |
| SAFETY DEVICE DATA |                                     |                            |
|                    | Compressor Overload                 | INTERNAL                   |
|                    | Fan Motor Overload                  | AUTOMATIC INTERNAL         |
|                    | Evaporator Freeze-up                | HOT GAS BYPASS             |
|                    | High Pressure Switch                | MANUAL                     |
|                    | Low Pressure Switch                 | AUTOMATIC                  |
|                    | Compressor Short Cycle              | YES                        |
|                    | Automatic Restart                   | YES                        |
|                    | Thermostat                          | MICROPROCESSOR/<br>DIGITAL |
|                    | Condensate Pump w 20' Head Pres.    | YES                        |
|                    | Condensate Pump Overflow            | YES                        |
|                    | Condensate Tank Overflow            | YES                        |



**1-800-KWIKOOL**