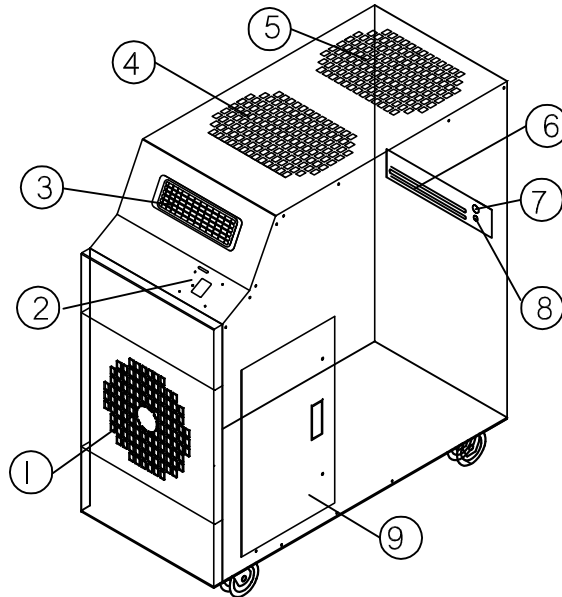


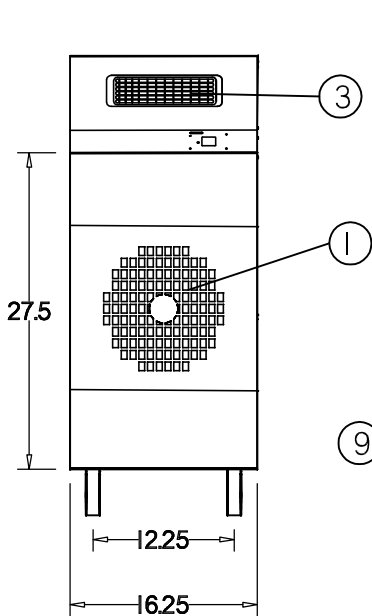
# SHAC1411

## Legend

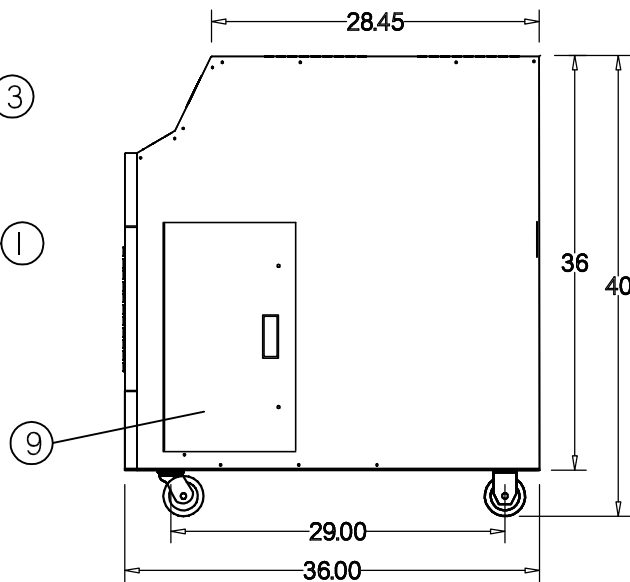
- 1 Return Air
- 2 Control Pad
- 3 Cold Air Supply
- 4 Condenser Air Inlet
- 5 Condenser Air Outlet
- 6 Power Cord
- 7 Condensate Nipple
- 8 Condensate Alarm Jack
- 9 Access Door



Isometric View



Front View



Right View



ETL LISTED CONFORMS TO ANSI/UL  
1995 CERTIFIED TO CAN/CSAA22.2 NO.235



1-800-KWIKOOL

### Model SHAC1411 - 1.1 Ton

HEATING & COOLING CAPACITY		
COOLING	BTU/hr @ 95 F at 60%RH	13,850 (1.1 TON)
HEATING	BTU/hr @ 55 F at 60%RH	17,010 (1.42 TON)
COMPRESSOR DATA		
	Compressor Type	HERMETIC ROTARY
COOLING	Operating Temperatures	60-105 F 50%RH
HEATING	Operating Temperatures	45-80 F 50%RH
	Non-CFC Refrigerant Charge (Lbs.)	R421A
FAN DATA		
EVAPORATOR		
	Fan Type (Centrifugal)	DIRECT DRIVE
	Air Flow (CFM)	460/Single Speed
	Supply Air Output Type	ADJUSTABLE VENT
	Supply Air Chute Data (Optional)	2-5" Dia. x 12" Length
CONDENSER		
	I/O Intergral Condenser - In/Out	BALANCED AIR FLOW
	Fan Type (Centrifugal)	DIRECT DRIVE
	Air Flow (CFM)	700
	Condenser Duct Data (Optional)	2x12" Dia. x 8' Length
	Condenser Duct Max. Length	25'
ELECTRICAL DATA		
	Power Supply (Volts)	115/Single Phase
	Current Consumption (Amps)	14.5
	Power Consumption (KW)	1.35
	Maximum Circuit Breaker (Amps)	20
	Minimum Circuit Ampacity (Amps)	15
	Min/Max Voltage	105-125
	Power Cord Gauge/Length	14/6'
	Plug Configuration	NEMA 5-15P
DIMENSIONAL DATA		
Unitary Models	Width x Depth x Height (Inches)	16.25X36X40
	Weight (Lbs.)	221
	Shipping Weight (Lbs.)	296
	Ceiling Kit - CK-12 Weight	38
	Total Shipping Weight/w Ceiling Kit	349
SAFETY DEVICE DATA		
	Compressor Overload	INTERNAL
	Fan Motor Overload	AUTOMATIC INTERNAL
	Evaporator Freeze-up	HOT GAS BYPASS
	High Pressure Switch	MANUAL
	Low Pressure Switch	AUTOMATIC
	Compressor Short Cycle	YES
	Automatic Restart	YES
	Thermostat	MICROPROCESSOR/ DIGITAL
	Condensate Pump w 20' Head Pres.	YES
	Condensate Pump Overflow	YES
	Condensate Tank Overflow	YES



**1-800-KWIKOOL**