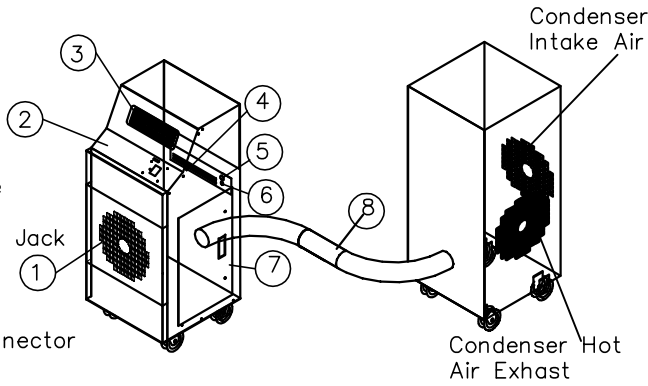


# SPLAC1811

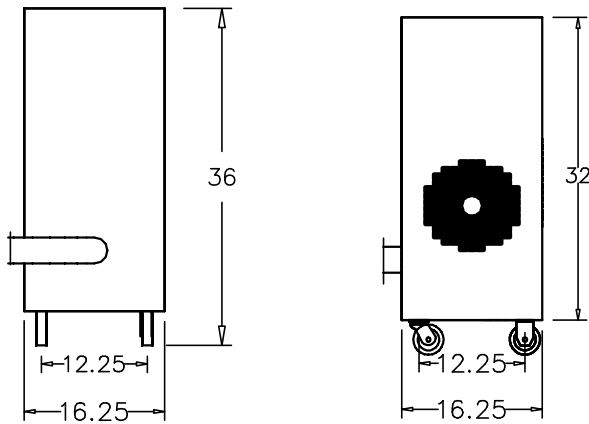
Legend

- 1 Return Air
- 2 Control pad
- 3 Cold Air Supply
- 4 Power Cord
- 5 Condensate Nipple
- 6 Condensate Alarm Jack
- 7 Access Door
- 8 Flexible Cable Connector (3"Ø x 20')



Isometric View

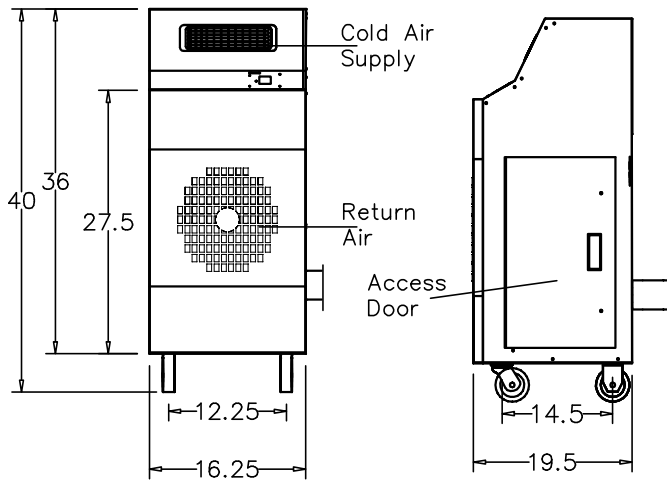
CONDENSER UNIT



Front View

Right View

CONTROL UNIT



Front View

Right View



ETL LISTED CONFORMS TO ANSI/UL  
1995 CERTIFIED TO CAN/CSAA22.2 NO.235



1-800-KWIKOOL

**SPECIFICATIONS****Model SPLAC1811 - 1.5 Ton**

COOLING CAPACITY		
	BTU/hr @ 95 F at 60%RH	17,700 (1-1/2 TON)
COMPRESSOR DATA		
	Compressor Type	HERMETIC ROTARY
	Operating Temperatures	60-110 F .50%RH
	Non-CFC Refrigerant Charge (Lbs.)	421A
FAN DATA		
EVAPORATOR		
	Fan Type (Centrifugal)	DIRECT DRIVE
	Air Flow (CFM)	600/3 Speed
	Supply Air Chute Data	ADJUSTABLE VENT
	Supply Air Chute Data (Optional)	2-5" Dia. x 12" Length
	Motor HP	1/4
CONDENSER		
	I/O Intergral Condenser - In/Out	BALANCED AIR FLOW
	Fan Type (Centrifugal)	DIRECT DRIVE
	Air Flow (CFM)	950
	Condenser Exhaust Duct (Optional)	1x12" Dia. x 8' Length
	Condenser Duct Max. Length	25'
	Motor HP	1/4
ELECTRICAL DATA		
	Power Supply (Volts)	115/10
	Current Consumption (Amps)	17.9
	Power Consumption (KW)	1.35
	Maximum Circuit Breaker (Amps)	20
	Minimum Circuit Ampacity (Amps)	18.15
	Min/Max Voltage	105-125
	Power Cord Gauge/Length	12/6'
	Plug Configuration	NEMA 5-20
DIMENSIONAL DATA		
SPLAC Model (Master)	Width x Depth x Height (Inches)	16.25X19.5X40
(Slave)	Width x Depth x Height (Inches)	16.25X16.25X36
	Weight (Lbs.)	261
	Shipping Weight (Lbs.)	336
SAFETY DEVICE DATA		
	Compressor Overload	INTERNAL
	Fan Motor Overload	AUTOMATIC INTERNAL
	Evaporator Freeze-up	HOT GAS BYPASS
	High Pressure Switch	MANUAL
	Low Pressure Switch	AUTOMATIC
	Compressor Short Cycle	YES
	Automatic Restart	YES
	Thermostat	MICROPROCESSOR/ DIGITAL
	Condensate Pump w 20' Head Pres.	YES
	Condensate Pump Overflow	YES
	Condensate Tank Overflow	YES



**1-800-KWIKOOL**